

Important: Always disconnect the power before installing or replacing bulb and before cleaning or other maintenance.

This light should be installed by a licensed electrician

Assembly & Installation Instructions

1. Shut off power to outlet box (Fig A).
2. Make appropriate electrical connections using wire nuts:
 - a. Connect the fixture's hot wire (black) to the black outlet box wire.
 - b. Connect the fixture's neutral wire (white) to the white outlet box wire.
 - c. Connect fixture's ground wire (green or uncoated) to the ground outlet box wire. If no ground is present in outlet box, connect fixture's ground wire to the mounting plate using the green screw (included).
 - d. Carefully place connections in outlet box.
3. Place mounting plate over outlet box and secure it with outlet box screws.
4. Attach back plate over mounting plate screws and tighten with back plate knobs.
5. 1970,1971 - Insert E12 candelabra base bulb in socket (not included).
1970F,1971F - Insert E12 CFL candelabra base bulb in socket (not included).
6. Attach shade to backplate by mouting studs into keyhole (Fig B)
7. Restore power to fixture.

Glass Rod Replacement Instructions

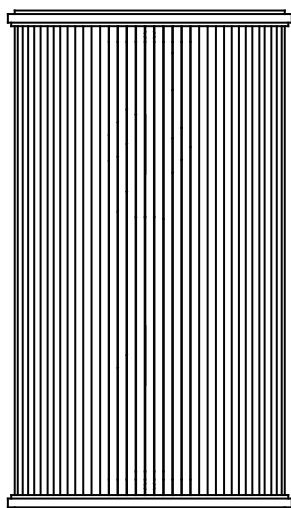
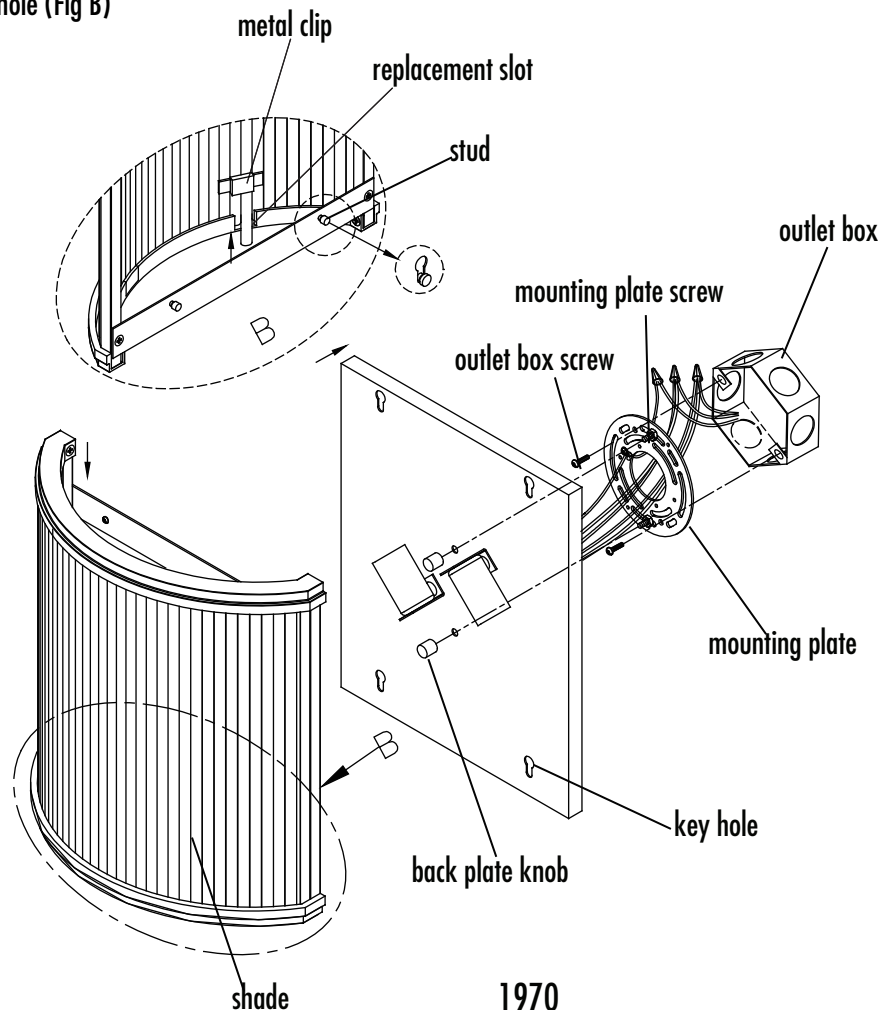
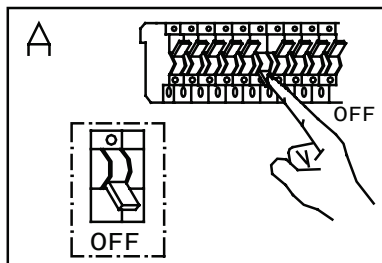
There are 6pcs extra glass rods in carton for replacement, packed in a red bag with white sticker in red remarks.

1. Take off metal clip on bottom of shade frame (Fig B).
2. Insert glass rod through replacement slot.
3. Attach metal clip back to bottom frame in place.

CARE INSTRUCTIONS

Dusting – Use a clean, dry cloth.

Cleaning – To protect the finish, avoid any harsh abrasives or chemicals.



1971

1970