

Important: Always disconnect the power before installing or replacing bulbs and before cleaning or other maintenance.

This light should be installed by a licensed electrician

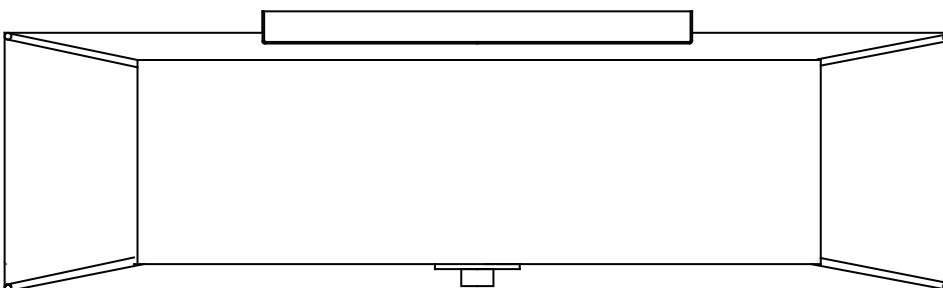
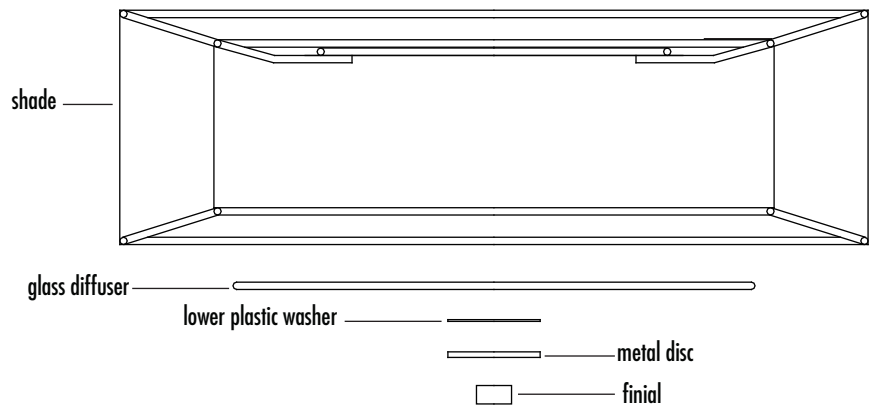
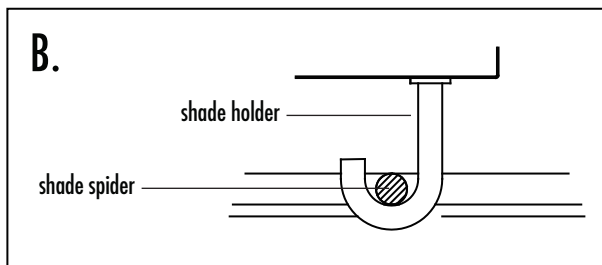
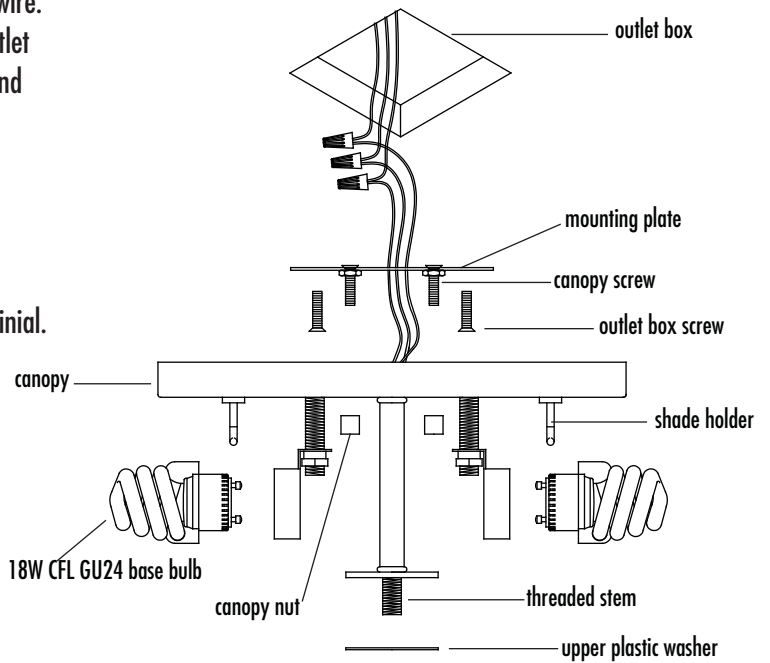
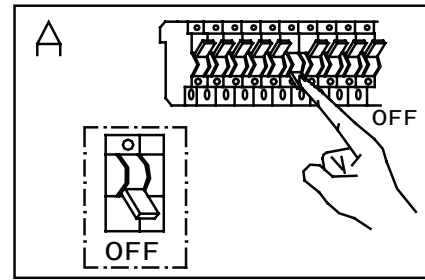
LAMP INSTALLATION AND ASSEMBLY

1. Shut off power to the outlet box (fig. A).
2. Attach the mounting plate to the outlet box, secure with outlet box screws.
3. Make appropriate electrical connections using wire nuts:
 - a. Connect the fixture's live wire (black) to the live outlet box wire.
 - b. Connect the fixture's neutral wire (white) to the neutral outlet box wire.
 - c. Connect fixture's ground wire (green or uncoated) to the ground outlet box wire. If no ground is present in outlet box, connect fixture's ground wire to the mounting plate using the green screw (included).
 - d. Carefully place connections in outlet box.
4. Attach canopy to mounting plate, secure with canopy nuts.
5. Attach shade to the shade holders (fig. B).
6. Install 18W CFL GU24 base bulb. (not included)
7. Attach shade and glass diffuser to threaded stem and secure with finial.
8. Restore power to the fixture.

CARE INSTRUCTIONS

Dusting – Use a clean, dry cloth.

Cleaning – To protect the finish, avoid any harsh abrasives or chemicals.



6013

6014