

# 3404

## Handkerchief 22" Semi-Flush

### Dimensions:

Height: 12"  
Width: 22"  
Depth: 22"

### Description:

Shade: Etched Glass  
Canopy: 5 1/2" DIA

### Lamping Options:

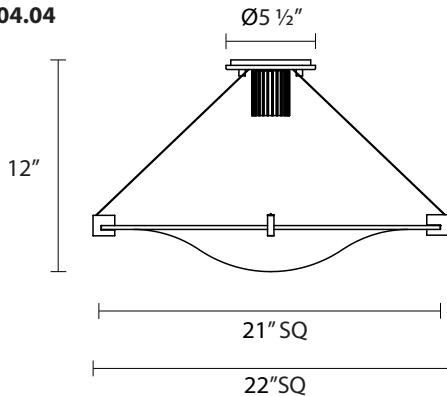
Halogen

(1) 50w MR16 halogen GU10 base  
(included)



### Available Finishes:

Satin Silver  
**3404.04**



**SONNEMAN**  
A WAY OF LIGHT