

7014

E-Tenda Swing Arm Table Lamp

Dimensions:

Height: 19"–22 ½"

Width: 8"

Description:

Shade: Metal

2" H x 5 ½" W x 6 ½" D

Extension: 25 ½"

Base: 8" DIA

Switch: Built-in high/low switch

Lamping Options:

Incandescent

(1) 75W Xenon G9 (included)



Available Finishes:

Polished Chrome

7014.01

Satin Nickel

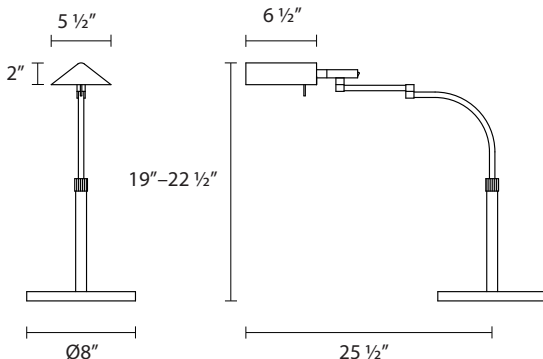
7014.13

Rose Bronze

7014.30

Satin Brass

7014.38



Custom options available.



SONNEMAN
A WAY OF LIGHT