

3715

Link Sconce

Dimensions:

Height: 6"
Width: 8"

Description:

Shade: White Etched Cased Glass
5 ¼" H x 8" W x 3 ½" D
Wall Plate: 5 ½" x 4 ½"
Extension: 4"

Lamping Options:

Incandescent

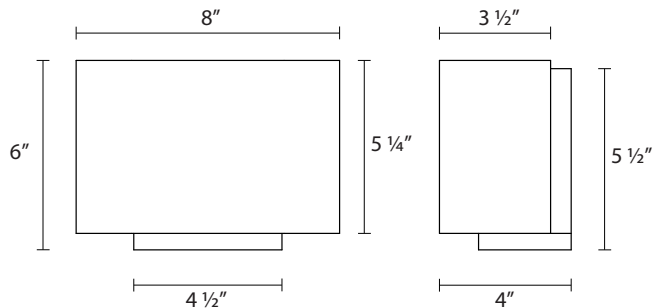
(2) 50w Xenon G9 (included)



Available Finishes:

Polished Chrome

3715.01



Custom options available.



SONNEMAN
A WAY OF LIGHT