

# 4280

## Mercer Street Sconce

### Dimensions:

Height: 16 1/4"  
Width: 5 3/4"

### Description:

Shade: Clear Beveled Glass  
15" H x 5" W x 5" D  
Wall Plate: 16 1/4" H x 5 1/2" W  
Extension: 6"

### Lamping Options:

Incandescent

(1) 60w Medium Base



*Shown with 60w T10 Bulb*

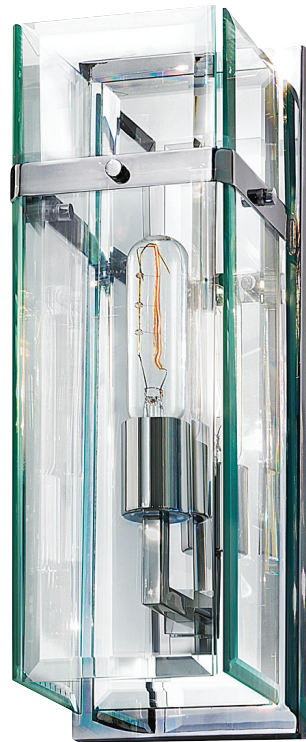
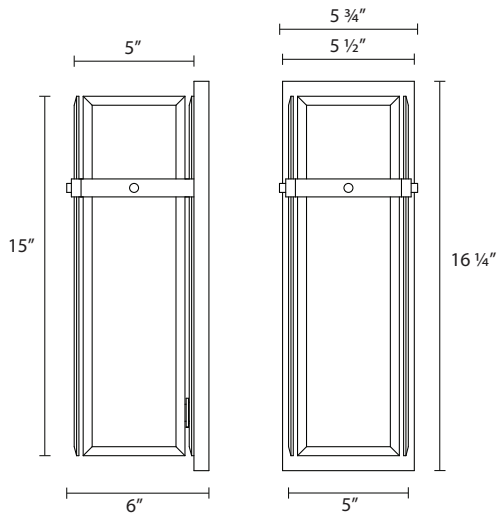
### Available Finishes:

Polished Chrome

**4280.01**

Satin Black

**4280.25**



**SONNEMAN**  
A WAY OF LIGHT