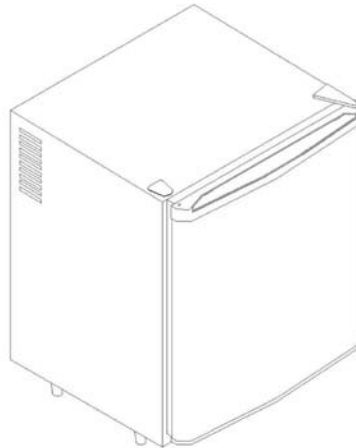




INSTRUCTION MANUAL MANUAL DE INSTRUCCIONES

Model Numbers/ Nos. de Modelos:	SHP1700W	White / Blanco
	SHP1701B	Black / Negro
	SHP1702SS	Stainless Steel / Acero Inoxidable
	SHP1703PS	Platinum / Platinado
	SHP1712SDC	Stainless Steel / Acero Inoxidable

Compact Refrigerator / Refrigerador Compacto



BEFORE USE, PLEASE READ AND FOLLOW ALL SAFETY RULES AND OPERATING INSTRUCTIONS.

La sección en español empieza en la página 13.

Avanti has a policy of continuous improvement on its products and reserves the right to change materials and specifications without notice.

Avanti Products, A Division of the Mackle Co., Inc.
P.O. Box 520604 - Miami, Florida 33152
www.avantiproducts.com

REFRIGERATOR SAFETY

Your safety and the safety of others are very important.

We have provided many important safety messages in this manual for your appliance. Always read and obey all safety messages.



This is the Safety Alert Symbol. This symbol alerts you to potential hazards that can kill or injure you and others. All safety messages will follow the Safety Alert Symbol and either the words "DANGER", "WARNING" or "CAUTION".



Danger means that failure to heed this safety statement may result in severe personal injury or death.



Warning means that failure to heed this safety statement may result in extensive product damage, serious personal injury, or death.



Caution means that failure to heed this safety statement may result in minor or moderate personal injury, property or equipment damage.

All safety messages will alert to know what potential hazard is, tell you how to reduce the chance of injury, and let you know what can happen if the instructions are not followed.

IMPORTANT SAFEGUIDES



Before the refrigerator is used, it must be properly positioned and installed as described in this manual, so read the manual carefully. To reduce the risk of fire, electrical shock or injury when using the refrigerator, follow basic precaution, including the following:

DANGER

- Plug into a grounded 3-prong outlet, do not remove grounding prong, do not use an adapter, and do not use an extension cord.
- It is recommended that a separate circuit, serving only your refrigerator be provided. Use receptacles that cannot be turned off by a switch or pull chain.
- Never clean refrigerator parts with flammable fluids. These fumes can create a fire hazard or explosion. And do not store or use gasoline or other flammable vapors and liquids in the vicinity of this or any other appliance. The fumes can create a fire hazard or explosion.
- Before proceeding with cleaning and maintenance operations, make sure the power line of the unit is disconnected.
- Do not connect or disconnect the electric plug when your hands are wet.
- Unplug the refrigerator or disconnect power before cleaning or servicing. Failure to do so can result in electrical shock or death.
- Do not attempt to repair or replace any part of your refrigerator unless it is specifically recommended in this manual. All other servicing should be referred to a qualified technician.

WARNING

FOLLOW WARNING CALL OUTS BELOW ONLY WHEN APPLICABLE TO YOUR MODEL

- Use two or more people to move and install refrigerator. Failure to do so can result in back or other injury.
- To ensure proper ventilation for your refrigerator, the front of the unit must be completely unobstructed. Choose a well-ventilated area with temperatures above 60°F (16°C) and below 90°F (32°C). This unit must be installed in an area protected from the element, such as wind, rain, water spray or drips.
- The refrigerator should not be located next to ovens, grills or other sources of high heat.
- The refrigerator must be installed with all electrical connections in accordance with state and local codes. A standard electrical supply (115 V AC only, 60 Hz), properly grounded in accordance with the National Electrical Code and local codes and ordinances is required.
- Do not kink or pinch the power supply cord of refrigerator.
- The fuse (or circuit breaker) size should be 15 amperes.
- It is important for the refrigerator to be leveled in order to work properly. You may need to make several adjustments to level it.
- Never allow children to operate, play with or crawl inside the refrigerator.
- Do not use solvent-based cleaning agents or abrasives on the interior. These cleaners may damage or discolor the interior.
- Do not use this apparatus for other than its intended purpose.

HELP US HELP YOU...

Read this guide carefully.

It is intended to help you operate and maintain your new refrigerator properly.

Keep it handy to answer your questions. If you don't understand something or you need more assistance, please call:

**Avanti Customer Service
800-220-5570**

Keep proof of original purchase date (such as your sales slip) with this guide to establish the warranty period.

CAUTION:

THIS REFRIGERATOR IS NOT DESIGNED FOR THE STORAGE OF MEDICINE OR OTHER MEDICAL PRODUCTS.

Write down the model and serial numbers.

You'll find them on a plate located on the rear outside wall of the refrigerator.

Please write these numbers here:

Date of Purchase

Model Number

Serial Number

Use these numbers in any correspondence or service calls concerning your refrigerator.

If you received a damaged refrigerator, immediately contact the dealer (or builder) that sold you the refrigerator.

Save time and money. Before you call for service, check the Troubleshooting Guide. It lists causes of minor operating problems that you can correct yourself.

IF YOU NEED SERVICE

We're proud of our service and want you to be pleased. If for some reason you are not happy with the service you receive, here are some steps to follow for further assistance.

FIRST, contact the people who serviced your refrigerator. Explain why you are not pleased. In most cases, this will solve the problem.

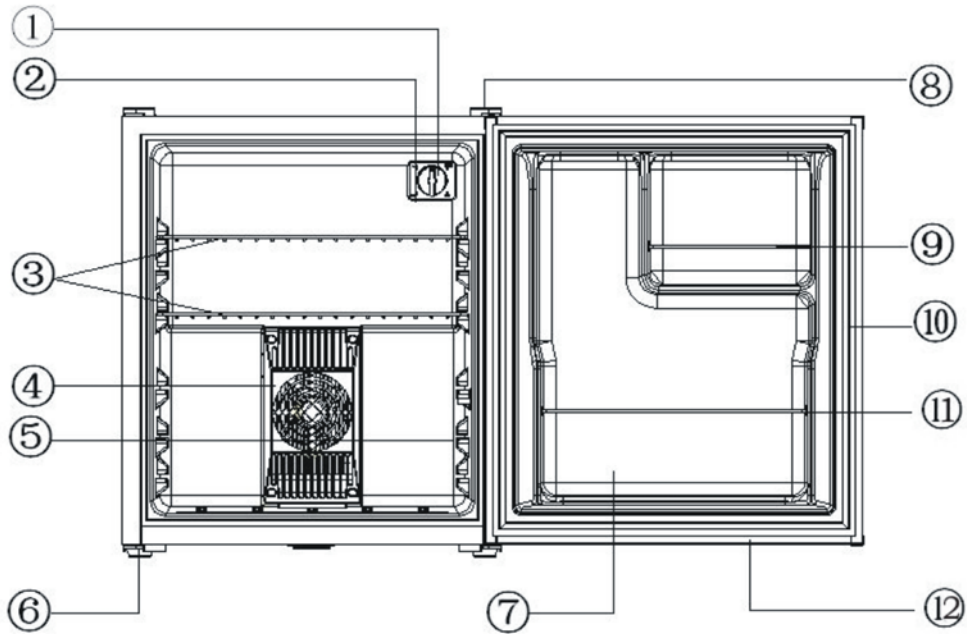
NEXT, if you are still not pleased, write all the details, including your telephone number, and send it to:

**Customer Service
Avanti Products
10880 NW 30 Street
Miami, FL 33172 USA**

TABLE OF CONTENTS

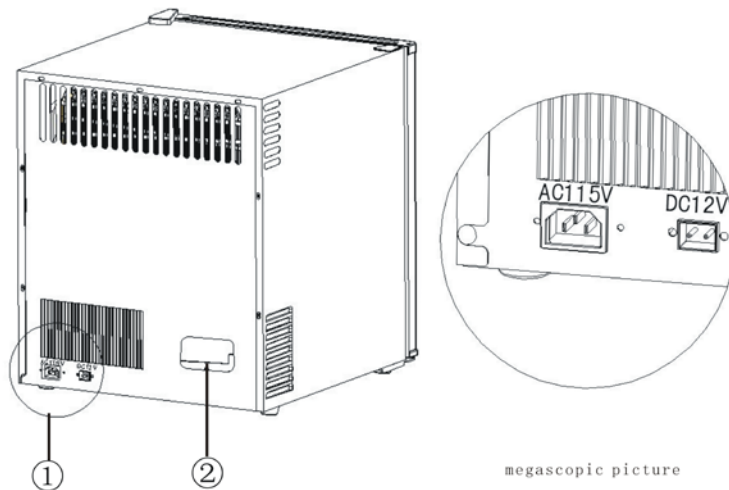
Refrigerator Safety	2
Important Safeguides	3
Help Us Help You	4
Parts and Features	6
Important Safety Instructions	7
Installation Instructions	7
Before Using Your Appliance	7
Installation of Your Appliance	7
Electrical Connection	8
Reversing the Door Swing of Your Appliance	8
Operating Your Appliance	8
Temperature Control	8
Interior Light	9
Battery Power (Model SHP1712SDC ONLY)	9
Care and Maintenance	9
Defrosting Your Appliance	9
Cleaning Your Appliance	9
Power Failure	9
Vacation Time	10
Moving Your Appliance	10
Energy Saving Tips	10
Troubleshooting Guide	10
Service for Your Appliance	11
Wiring Diagram	11
Your Avanti Products Warranty	12
Instrucciones en Español	13 – 14
Registration Information and Registration Card	15

PARTS & FEATURES



- | | |
|-----------------------------|-----------------------|
| 1. Temperature Control Knob | 7. Door Liner |
| 2. Light | 8. Upper Hinge Cover |
| 3. Shelves (2) | 9. Small Door Bin |
| 4. Cold Sink Fan Cover | 10. Door Gasket |
| 5. Light Switch | 11. Large Bottle Rack |
| 6. Legs | 12. Door |

MODEL SHP1712SDC ONLY



1. AC / DC Inlets
2. Power cord storage box

IMPORTANT SAFETY INSTRUCTIONS

⚡ WARNING ⚡	To reduce the risk of fire, electrical shock, or injury when using your refrigerator, follow these basic precautions:
<ul style="list-style-type: none">• Read all instructions before using the refrigerator.• DANGER or WARNING: Risk of child entrapment. Child entrapment and suffocation are not problems of the past. Junked or abandoned appliances are still dangerous . . . even if they will “just sit in the garage a few days”.• Before you throw away your old refrigerator: Take off the door. Leave the shelf in place so that children may not easily climb inside.• Never allow children to operate, play with, or crawl inside the refrigerator.• Never clean refrigerator parts with flammable fluids. The fumes can create a fire hazard or explosion.• Do not store or use gasoline or any other flammable vapors and liquids in the vicinity of this or any other refrigerator. The fumes can create a fire hazard or explosion.• Do not repair or replace any part of the refrigerator or attempt any servicing unless specifically recommended in the user-maintenance instructions or in published user-repair instructions. Replace the fuse with the same type.	
-Save these instructions-	

INSTALLATION INSTRUCTIONS

➤ Before Using Your Refrigerator

- Remove the exterior and interior packing.
- Check to be sure you have all of the following parts:
 - 2 Shelves
 - 1 Instruction manual
 - 1 AC Power Cable (Detachable) – Model SHP1712SDC ONLY
 - 1 DC Power Cable (Detachable) – Model SHP1712SDC ONLY
- Clean the interior surface with lukewarm water using a soft cloth.

➤ Installing Your Refrigerator

- **This refrigerator uses superconductor heat-pipe refrigeration technology (no compressor).**
- This appliance is designed to be free standing only, and should not be recessed or built-in (Fully recessed).
- Place your refrigerator on a floor that is strong enough to support the refrigerator when it is fully loaded.
- Allow 5 inches of space between the back and sides of the refrigerator, which allows the proper air circulation to cool the heat sink.
- Locate the refrigerator away from direct sunlight and sources of heat (stove, heater, radiator, etc.). Direct sunlight may affect the acrylic coating and heat sources may increase electrical consumption. Extreme cold ambient temperatures may also cause the refrigerator not to perform properly.
- Avoid locating the refrigerator in moist areas.
- Plug the refrigerator into an exclusive, properly installed-grounded wall outlet. Do not under any circumstances cut or remove the third (ground) prong from the power cord. Any questions concerning power and/or grounding should be directed toward a certified electrician or an authorized Avanti Products service center.
- After plugging the appliance into a wall outlet, allow the unit to cool down for 2-3 hours before placing food in the refrigerator compartment.

➤ [Electrical Connection](#)

⚡ Warning ⚡

Improper use of the grounded plug can result in the risk of electrical shock. If the power cord is damaged, have it replaced by an authorized Avanti Products service center.

This refrigerator should be properly grounded for your safety. The power cord of this refrigerator is equipped with a three-prong plug which mates with standard three prong wall outlets to minimize the possibility of electrical shock.

Do not under any circumstances cut or remove the third ground prong from the power cord supplied.

(Models SHP1700W- SHP1701B – SHP1702SS – SHP1703PS)

These refrigerators require a standard 115/120 Volt A.C./60Hz electrical outlet with three-prong ground. Applicable AC adapter / plug has been provided.

(Model SHP1712SDC)

This refrigerator requires a standard 115/120 Volt A.C./60Hz electrical outlet with three-prong ground. Applicable AC adapter / plug has been provided.

When operating this appliance on battery (12 Volt) power, use the 12V adapter provided. If you have a blown fuse always replace the built-in fuse with one of the same rating of 10A.

The cord should be secured behind the refrigerator and not left exposed or dangling to prevent accidental injury.

Never unplug the refrigerator by pulling the power cord. Always grip the plug firmly and pull straight out from the receptacle.

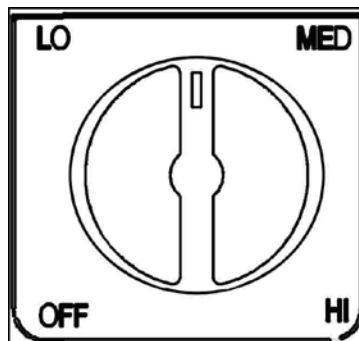
Do not use an extension cord with this appliance. If the power cord is too short, have a qualified electrician or service technician install an outlet near the appliance.

➤ [Reversing the Door Swing of Your Appliance](#)

This refrigerator has the capability of the door opening from either the left or right side. The unit is delivered to you with the door opening from the left side. Should you desire to reverse the opening direction, please call customer service for reversal instructions.

OPERATING YOUR REFRIGERATOR

➤ [Temperature Control](#)



➤ [Setting the Temperature Control](#)

- Your refrigerator has only one control for regulating the temperature. The temperature control is located on the upper right hand corner of the compartment.
- To control the internal temperature, adjust the control knob according to the ambient temperature or purpose of use.

- The first time you turn the unit on, set the temperature control to “HI”.
- The range of the temperature control is from position "OFF" to “HI”.
- After 24 hours, adjust the temperature control to the setting that best suites your needs. The setting of “MED” should be appropriate for home or office refrigerator use.

NOTE:

- Turning the temperature control to "OFF" position stops the cooling cycle but does not shut off the power to the appliance.

- After 24 hours, adjust the temperature control to the setting that best suites your needs. The setting of “MED” should be appropriate for home or office refrigerator use.

TO PREVENT LIQUIDS FROM FREEZING YOU MUST ADJUST THE TEMPERATURE CONTROL TO THE MEDIUM SETTING AFTER THE INITIAL 24 HOUR PERIOD OF USE.

➤ **Interior Light**

This refrigerator is provided with a LED light located on the upper right hand corner of the compartment. The light will be on when the door is opened and be off when the door is closed.

➤ **Battery Power (Model SHP1712SDC ONLY).**

This unit is equipped with a 12V power inlet for use in mobile home or other types of recreational vehicles. Plug the 12V adapter into the inlet at the rear of the unit and insert the torpedo shaped end of the adapter into the cigarette lighter of the vehicle.

This adapter is equipped with a built-in 10A fuse that can be replaced by unscrewing the top cover.

** Any time you replace the fuse you must you use a similar sized fuse with a 10A rating **

CARE AND MAINTENANCE

➤ **Defrosting Your Refrigerator**

This model uses a superconductor heat-pipe cooling system with automatic defrosting system so there is no need to defrost it manually.

➤ **Cleaning Your Refrigerator**

- **UNPLUG** the refrigerator, and remove the shelf.
- Wash the inside surfaces with a warm water and baking soda solution. The solution should be about 2 tablespoons of baking soda to a quart of water.
- Wash the shelf with a mild detergent solution.
- The outside of the refrigerator should be cleaned with mild detergent and warm water.
- Wring excess water out of the sponge or cloth before cleaning the area of the controls, or any electrical parts.
- Wash the outside cabinet with warm water and mild liquid detergent. Rinse well and wipe dry with a clean soft cloth.

CAUTION

Failure to unplug the refrigerator could result in electrical shock or personal injury.

➤ **Power Failure**

Most power failures are corrected within a few hours and should not affect the temperature of your refrigerator if you minimize the number of times the door is opened. If the power is going to be off for a longer period of time, you need to take the proper steps to protect your food.

➤ **Vacation Time**

- **Short vacations:** Leave the refrigerator operating during vacations of less than three weeks.

- **Long vacations:** If the appliance will not be used for several months, remove all food and unplug the power cord. Clean and dry the interior thoroughly. To prevent odor and mold growth, leave the door open slightly: blocking it open if necessary.

➤ **Moving Your Refrigerator**

- Remove all the food.
- Securely tape down all loose items inside your refrigerator.
- Tape the door shut.
- Protect the outside of refrigerator with a blanket, or similar item.

➤ **Energy Saving Tips**

- The refrigerator should be located in the coolest area of the room, away from heat producing appliances, and out of the direct sunlight.
- Overloading the refrigerator forces the superconductor cooling system to run longer.
- Reduce door openings and extended searches, remove as many item as needed at one time, and close the door as soon as possible.
- One characteristic of superconductor heat-pipe units is the length of time it requires to recover from having the door opened and shut frequently. It may be necessary to wait longer for the temperature to return to its former level once the door has been opened for too long. This is normal for the type of unit.
- Superconductor heat-pipe technology costs just pennies to operate. It is environmentally friendly due to the lack of CFC's.

PROBLEMS WITH YOUR REFRIGERATOR?

You can solve many common refrigerator problems easily, saving you the cost of a possible service call. Try the suggestions below to see if you can solve the problem before calling the servicer.

TROUBLESHOOTING GUIDE

PROBLEM	POSSIBLE CAUSE
Refrigerator does not operate.	Not plugged in. The circuit breaker tripped or a blown fuse. The appliance temperature control is set at "OFF" position.
Refrigerator is not cold enough.	The room temperature is hotter than normal. The door is opened too often. The door is not closed completely. The temperature control is not set correctly. The door gasket does not seal properly. The refrigerator does not have the correct clearances. Abnormal voltage.
The light does not work.	Not plugged in. The circuit breaker tripped or a blown fuse. The LED light has burned out.
Vibrations.	Check to assure that the refrigerator is level.
The door will not close properly.	The refrigerator is not level. The door was reversed and not properly installed. The gasket is dirty. The shelves, bins, or baskets are out of position.

SERVICE FOR YOUR REFRIGERATOR

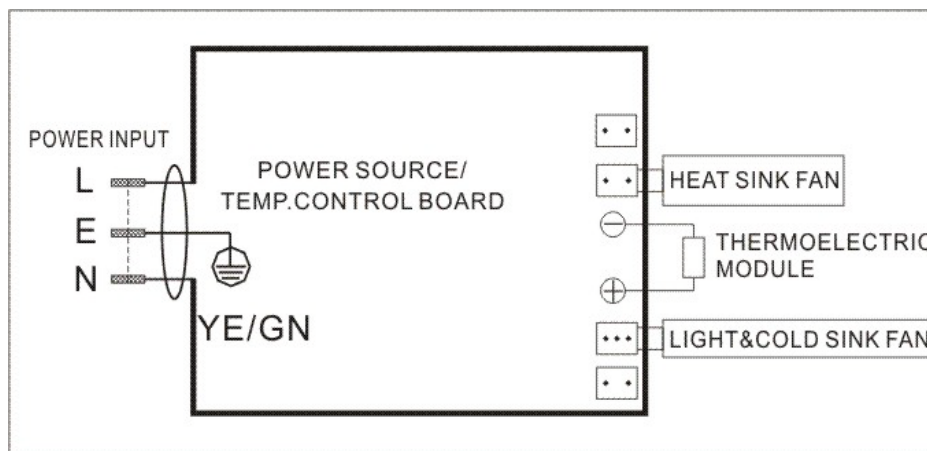
We are proud of our customer service organization and the network of professional service technicians that provide service on your Avanti refrigerators. With the purchase of your Avanti refrigerator, you can be confident that if you ever need additional information or assistance, the Avanti Products Customer Service team will be here for you. Just call us toll-free.

AVANTI PRODUCTS CUSTOMER SERVICES

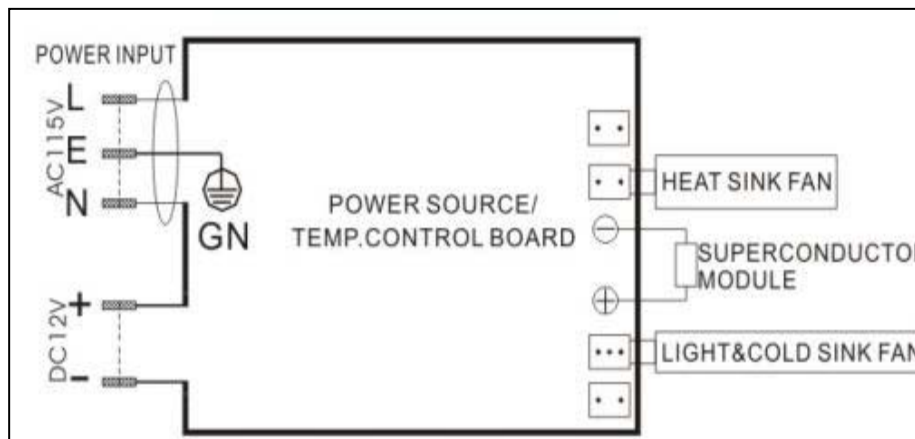
Product Information 800-323-5029	Whatever your questions are about our products, help is available.
Part Orders 800-220-5570	You may order parts and accessories that will be delivered directly to your home, by personal check, money order, Master Card, or Visa.
In-Home Repair Service 800-220-5570	An Avanti Products authorized service center will provide expert repair service, scheduled at a time that is convenient for you. Our trained servicers know your refrigerator inside and out.

WIRING DIAGRAM

Models: SHP1700W / SHP1701B / SHP1702SS / SHP1703PS



Model: SHP1712SDC (ONLY)



YOUR Avanti Products WARRANTY	Staple your sales receipt here. Proof of original purchase date is needed to obtain service under warranty.
--------------------------------------	--

WHAT IS COVERED

LIMITED ONE-YEAR WARRANTY

For one year from the date of purchase by the original owner, Avanti Products will, at its option, repair or replace any part of the refrigerator, which proves to be defective in material or workmanship under normal use. During this period Avanti Products will provide all parts and labor necessary to correct such defects free of charge, so long as the refrigerator has been installed and operated in accordance with the written instructions in this manual. In rental or commercial use, the warranty period is 90 days. Avanti Products will provide you with a reasonably similar replacement product that is either new or factory refurbished. All Avanti Appliances of 3.5 cubic feet capacity or less must be brought/sent to the appliance service shop for repair.

WHAT IS NOT COVERED

- Content losses of food due to spoilage.
- Incidental or consequential damages.
- Parts and labor costs for the following will not be considered as warranty:
 - Evaporator doors, door springs, and/or frames.
 - Inner door panels, door shelves, door rails, and/or door supports.
 - Light and/or plastic housing.
 - Plastic cabinet liners.
 - Punctured evaporator that voids the warranty on the complete sealed system.
 - Shipping and handling costs associated with the replacement of the unit.
 - Repairs performed by unauthorized servicers.
- Service calls that do not involve defects in material or workmanship such as customer education, door reversal, or proper installation.
- Surcharges including, but not limited to, any after hour, weekend, or holiday service calls, tolls, ferry trip charges, or mileage expense for service calls to remote areas, including the State of Alaska.
- Service calls that are related to external problems, such as abuse, misuse, inadequate electrical power, accidents, fire, floods, or acts of God.
- Replacement of house fuses or resetting circuit breakers.
- Failure of the product if it is used for other than its intended purpose.
- This warranty does not apply outside the Continental USA.

INSTRUCCIONES EN ESPAÑOL

INSTALACION

Retire los accesorios de empaque (plásticos protectores, cartón y tiras engomadas). Limpie el exterior con un trapo suave y seco, y el interior con un trapo húmedo y tibio.

UBICACION

1. Seleccione un lugar con un piso firme y nivelado.
2. Su refrigerador requiere ventilación. Deje un espacio mínimo de 5" hacia arriba y espacio suficiente en el respaldo para permitir la circulación de aire.
3. Las bodegas termoeléctricas necesitan cierto tiempo de recuperación cuando la puerta se abre y se deja abierta por mucho tiempo. Esto es normal para este tipo de unidad.
4. Evite luz directa del sol o calor. La luz directa del sol puede afectar la capa de pintura. Las fuentes de calor en su proximidad causarán un consumo mayor de electricidad.
5. Para un mejor desempeño, nivele el refrigerador utilizando las patas ajustables o tornillos niveladores.

INSTRUCCIONES PARA LA CONECCION A TIERRA

Este aparato electrodoméstico debe estar conectado a tierra. En caso de un cortocircuito eléctrico, la conexión a tierra reduce el riesgo de choque eléctrico proporcionando un cable de escape para la corriente eléctrica. Este aparato viene equipado con un cordón que posee un cable a tierra con un enchufe de conexión a tierra. Este enchufe debe estar conectado en un tomacorriente instalado correctamente y conectado a tierra.

ADVERTENCIA

El uso inadecuado del enchufe de conexión a tierra puede resultar en un riesgo de choque eléctrico. Consulte con un electricista si no comprende bien las instrucciones de conexión a tierra o si existe alguna duda sobre si el aparato está conectado a tierra correctamente.

NO USE UN CORDON DE EXTENSION ELECTRICA

Use un tomacorriente de pared exclusivo. No conecte su refrigerador a cordones de prolongación eléctrica o junto a cualquier otro electrodoméstico en el mismo tomacorriente de pared.

ADVERTENCIA IMPORTANTE:

Un refrigerador vacío es una atracción muy peligrosa para los niños. Quite los sellos magnéticos, puertas o cerraduras de todo electrodoméstico que esté en uso.

OPERACIÓN

Modelos: SHP1700W – SHP1701B – SHP1702SS – SHP1703PS

Enchufe el cable a la toma de corriente, que debe ser 115-120v A/C, 10 AMP ó más. Para evitar vibraciones, la caja debe estar bien nivelada. Para encender el refrigerador, gire el control de temperatura a la posición "HI". Para prevenir la congelación de líquidos mueva el dial a la posición "MED" después de las primeras 24 horas de uso.

Modelo: SHP1712SDC (SOLAMENTE)

Enchufe el cable a la toma de corriente, que debe ser 115-120v A/C, 10 AMP ó más. Para evitar vibraciones, la caja debe estar bien nivelada. Para encender el refrigerador, gire el control de temperatura a la posición "HI". Para prevenir la congelación de líquidos mueva el dial a la posición "MED" después de las primeras 24 horas de uso.

Operación de baterías:

También hay un adaptador de corriente directa incluido con esta unidad. Conéctelo en el espacio designado en la parte trasera (marcado 12V), el otro terminal que parece un torpedo se conecta en el espacio designado para encendedor de cigarrillos en los automóviles o vehículos de recreo.

Si necesita reemplazar el fusible, solo lo reemplaza con un fusible similar en tamaño y de la misma potencia de 10 Amperes.

LUZ INTERIOR

Su refrigerador tiene luz interior que encenderá cuando abre la puerta y se apagará cuando se cierra.

COMO DESCONGELAR

Coloque el dial del termostato "OFF" (apagado). El descongelado generalmente tarda pocas horas. Para descongelar rápido vacíe el refrigerador y deje la puerta abierta. **Nunca use un cuchillo u otro instrumento metálico para rascar el hielo o la escarcha del congelador.**

CUIDADOS EN LOS PERIODOS DE AUSENCIA

- Para cortos períodos de ausencia (menos de 21 días) el congelador podrá quedar funcionando. Coloque el botón de control de temperaturas en la posición mínima.
- En períodos de ausencia más largos, se aconseja dejar el refrigerador limpio y desconectado.
- Saque todo lo que tenga adentro del refrigerador y haga el deshielo y la limpieza general. También retire las cubeteras, limpie bien y séquelas internamente.
- Deje la puerta entreabierta para que penetre el aire y así evitar la formación de olores.

ECONOMIA DE ENERGIA

- Evite dejar por mucho tiempo la puerta abierta.
- Evite aperturas frecuentes de la puerta.
- Nunca coloque alimentos calientes dentro del refrigerador. Espere que estén a una temperatura ambiental.
- Coloque el botón de control de temperaturas en la posición adecuada.

SI USTED SE VA DE VACACIONES

- Saque todos los artículos del refrigerador-congelador si Ud. se va de vacaciones por un mes o más.
- Desconecte el refrigerador del tomacorriente y limpie el refrigerador bien.
- Deje la puerta abierta para evitar la formación de olores, condensación o moho.

SI USTED SE MUDA

- Desconecte el refrigerador del tomacorriente y limpie el refrigerador bien. Saque todas las partes movibles y empaquételas para que no se muevan durante la transportación.
- Cierre la puerta del refrigerador y séllela con cinta adhesiva.
- Asegúrese que el refrigerador va parado durante el viaje y cúbralo con una frazada.

COMO CAMBIAR LA DIRECCION DE APERTURA DE LA PUERTA

EN CASO DE QUE NECESITE CAMBIAR EL LADO DE APERTURA DE LA PUERTA, POR FAVOR CONSULTE AL SERVICIO POSVENTA DE SU LOCALIDAD O AL EMPLEADO QUE LE VENDIO LA UNIDAD.

REGISTRATION INFORMATION

Thank you for purchasing this fine Avanti product. Please fill out this card and return it within 100 days of purchase and receive these important benefits to the following address:

Avanti Products, A Division of The Mackle Co., Inc.
P.O. Box 520604 - Miami, Florida 33152 USA

➤ **Protect your product:**

We will keep the model number and date of purchase of your new Avanti product on file to help you refer to this information in the event of an insurance claim such as fire or theft.

➤ **Promote better products:**

We value your input. Your responses will help us develop products designed to best meet your future needs.

------(detach here)-----

Avanti Registration Card

Name

Model # Serial #

Address

Date Purchased Store/Dealer Name

City State Zip

Occupation

Area Code Phone Number

As Your Primary Residence, Do You:

Own Rent

Did You Purchase An Additional Warranty:

Extended Food Loss None

Reason For Choosing This Avanti Product:

Please indicate the most important factors that influenced your decision to purchase this product.

- Price
 Product Features
 Avanti Reputation
 Product Quality
 Salesperson Recommendation
 Friend/Relative Recommendation
 Warranty
 Other _____

Your Age:

under 18 18-25 26-30
 31-35 36-50 over 50

Marital Status:

Married Single

Is This Product Used In The:

Home Business

How Did You Learn About This Product:

Advertising
 In Store Demo Personal Demo

Other _____

Comments _____

PRINTED IN CHINA