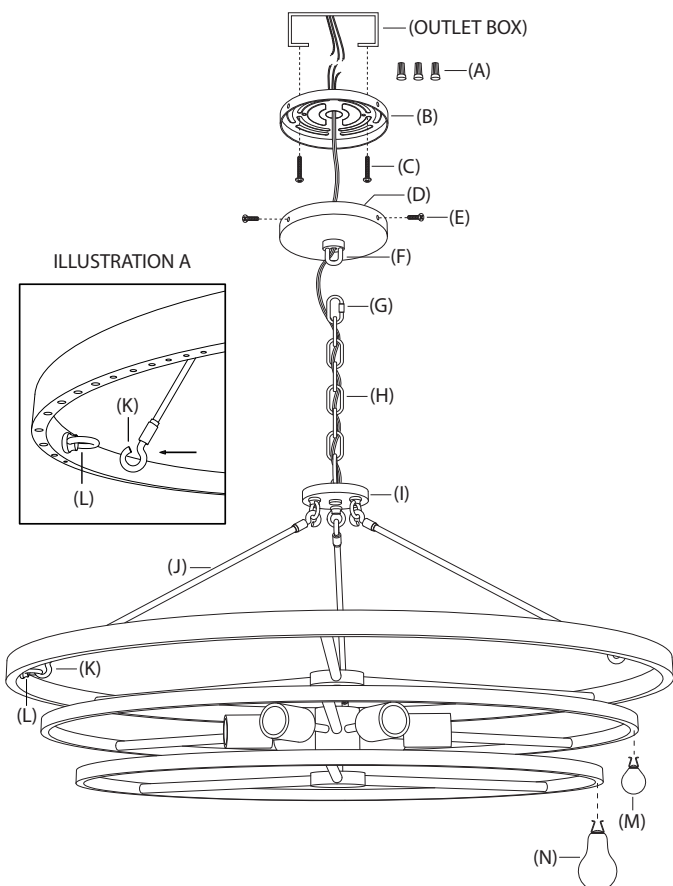


ASSEMBLY INSTRUCTIONS FOR YOUR BLING LARGE CHANDELIER

IMPORTANT SAFETY INSTRUCTIONS:

- *These instructions are provided for your safety. It is very important that they are read completely before beginning the installation of your fixture. We **STRONGLY** recommend installation be completed by a licensed electrician.
- ***DUE TO THE WEIGHT OF THIS ITEM, YOUR CEILING OUTLET BOX MUST BE RATED FOR FIXTURES UP TO 150 LBS. FOLLOW MANUFACTURERS INSTRUCTIONS FOR CEILING OUTLET BOX INSTALLATION.**
- *Do not connect the electricity to the fixture until it has been completely assembled. Turn the power to fixture off before replacing bulbs.
- *Review all instruction pages before installing the fixture.



ASSEMBLY INSTRUCTIONS

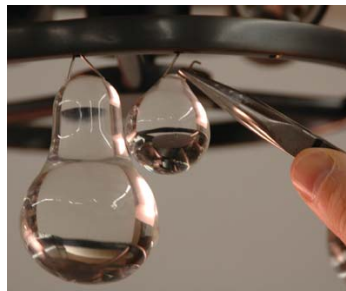
1. SHUT OFF THE ELECTRICAL SUPPLY FROM THE MAIN FUSE BOX/ CIRCUIT BREAKER.
2. Remove all parts from the carton and discard packing material.
3. Remove mounting plate (B) from canopy (D) by removing screws (E).
4. Carefully pull wiring from outlet box. Thread wires through center hole in mounting plate (B). Attach mounting plate (B) to outlet box using screws (C), provided.
5. Measure desired drop for fixture to hang from outlet box. Using chain pliers (not included), remove links from chain (H) to achieve drop.
6. Connect hang straight (F) to chain (H) using quick link (G).
7. Guide the wires exiting the top of housing (I) through chain links (H). Continue to guide wiring through center hole in canopy (D).
8. Lift fixture to ceiling outlet box and make proper electrical connections described in steps 9 - 11.
A LICENSED ELECTRICIAN IS RECOMMENDED.
9. Attach ground wire from fixture (green or silver in color) to ground wire from outlet box. Fasten wires together with wire nut (A) and tightly wrap connection with electrical tape.
10. Attach hot wire from fixture (black in color or smooth side of wire) to hot wire from outlet box. Fasten wires together with wire nut (A) and tightly wrap connection with electrical tape.
11. Attach neutral wire from fixture (white in color or ribbed side of wire) to neutral wire from outlet box. Fasten wires together with wire nut (A) and tightly wrap connection with electrical tape.

12. Carefully push wire connections back into ceiling outlet box. Slide canopy (D) over mounting plate (B). Thread screws (E) into vacant holes in canopy (D) to secure fixture to ceiling.
13. Install 6 - 100W max. Type A bulbs into the sockets.

GLASS DROP INSTALLATION:

It is recommended that you use needle nose pliers (not included) to install the glass drops (M) and (N).

1. Remove packaging from glass drops. NOTE: The fixture is designed to have alternating size glass drops (M) and (N) on each ring. It is recommended that you install the glass drops on the bottom ring first and continue working upwards to the top ring.
2. Start with a large glass drop (N). Notice the metal wire attached to each glass drop has a large and small side. Please see image at the bottom of page 2 for reference. Insert the longer side of the wire into a hole in the ring. With your index finger guide the smaller side of the wire into the hole securing glass drop (N) to the ring. NOTE: A small amount of adjustment may be needed for each glass drop to hang straight.
3. Needle nose pliers are recommended when installing small glass drops (M). Locate the long and short sides of the metal wire attached to the small glass drop (M). Firmly hold the shorter side of the metal connection with the needle nose pliers (see images on page 2 for reference). Insert the longer side of the wire into the hole on the left side of installed large glass drop (N). Use the pliers to insert the shorter side of the wire into the hole, securing glass drop (M) to the ring.
4. Repeat steps 2 and 3 for each ring until glass drops (M & N) are completely installed.



CARE INSTRUCTIONS:

*To clean, use a soft cloth only. DO NOT use any chemical or abrasive cleaners.

*White gloves have been shipped with each fixture. Please wear gloves to keep the fixture clean during installation.