

Thank you for purchasing this light fitting. Please read the instructions carefully before use to ensure safe and satisfactory operation of this product. Please retain these instructions for future reference.

### Warning:

**This is a Class I product and must be earthed.**

Please read these instructions carefully before commencing any work.

This unit must be fitted by a competent and qualified electrician.

Install in accordance with IEE Wiring regulations and current Building Regulations.

To prevent electrocution switch off at mains supply before installing or maintaining this fitting. Ensure other persons cannot restore the electrical supply without your knowledge. If you are in any doubt, please consult a qualified electrician.

This light fitting should be connected to a fused circuit.

If replacing an existing fitting, make a careful note of the connections.

Always use the correct type and wattage bulb. Never exceed the wattage stated.

When changing a bulb, always switch off at the mains and allow the old bulb to cool down before handling.

Dispose of used bulbs carefully and responsibly.

Waste electrical products should not be disposed of with household waste. Please recycle where facilities exist.

Check with your local authority or retailer for recycling advice.

This product is rated at IP44.

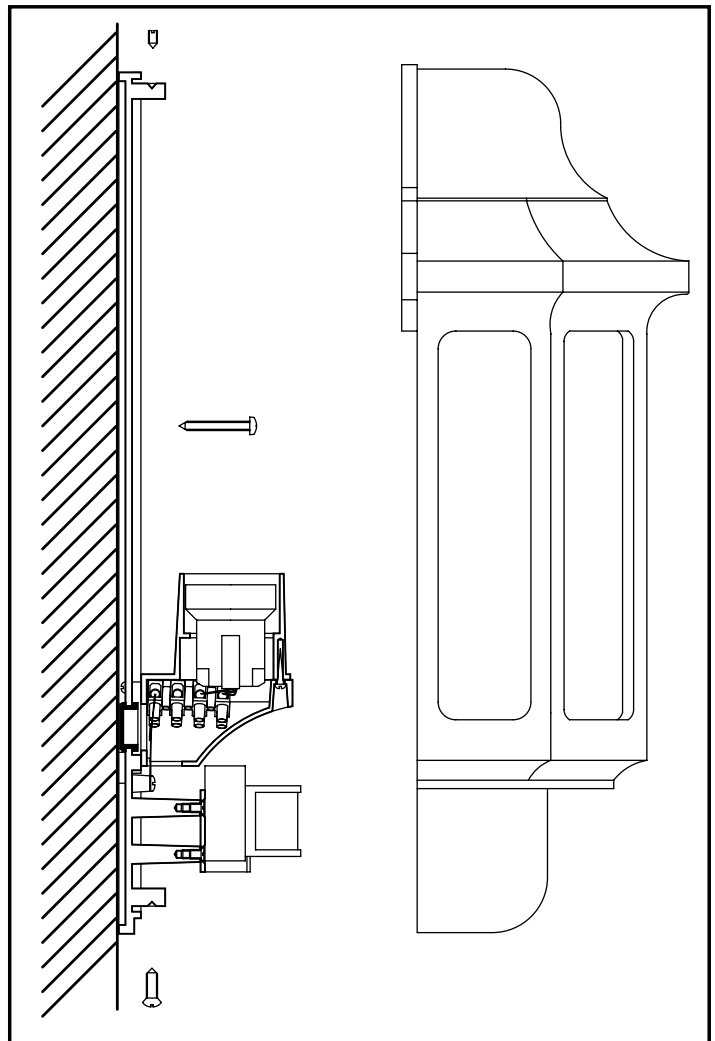
This product is not suitable for location in or near a marine environment.

The entire unit gets hot whilst on for a period of time.

### Installation:

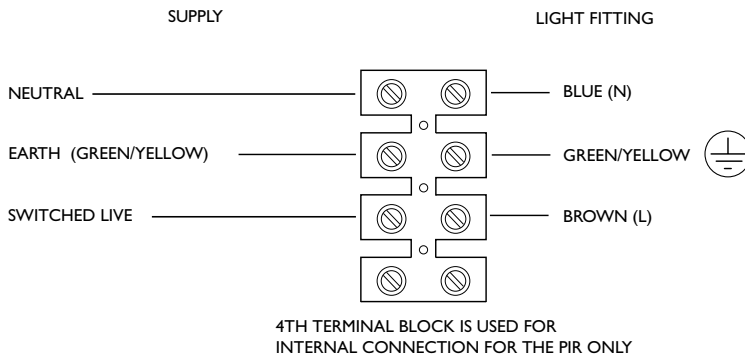
Existing fittings must be completely removed before installation of a new product. Before removing the existing fitting, **carefully note the position of each set of wires**.

1. Undo the top & bottom screws and remove the front section.
2. Hold the rear plate in place and mark the position of the holes. Ensure that the product is level. Ensure the wall is capable of holding the weight of the product. Take care to avoid damaging any concealed wiring and pipes. The correct fixings should be used for brick, cavity walls or plasterboard.
3. Pull supply wires through rubber grommet on wall back
4. Fix the wall back to the wall using screws and plugs.
5. Slide the PIR out of the way, and undo the screw holding the plastic cover under the lampholder to expose the lampholder, and set aside.
6. Wire the product up as detailed below.



## Wiring:

Having correctly identified the wiring from your existing light fitting, pull the wire through the hole at the rear of the fixture connect to the connection block inside the product in the following way:



### Check that.....

You have correctly identified the wires.

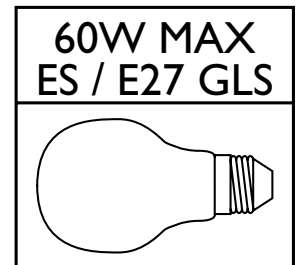
The connections are tight.

No loose strands have been left out of the connection block.

7. Refit the plastic cover over the terminal block and secure in place using the screw. Refit the PIR in the slot.
8. Refit the front section in place, and refit the screw at the bottom.
9. Replace fuse or circuit breaker and switch on. Your light is now ready for use.

## Fitting / Replacing Bulbs:

**When changing a bulb, always switch off at the mains and allow the bulb to cool before handling.** Dispose of used bulbs carefully. Do not exceed the wattage stated or use a different shape bulb from that indicated on the fitting.



## PIR Adjustment:

1. The unit must be installed in a vertical position, and fitted 1.8m - 2.5m above the ground.
2. The PIR sensor can be adjusted, allowing the detection distance to be altered to suit the location. The detection angle is set at 120 degrees. The duration that the lamp stays on can also be altered from 5 seconds - 8 minutes. Use a small screwdriver to adjust the 'TIME' and 'SENS' screws. When adjusting the sensitivity (detection distance) in daylight it will be necessary to cover the sensor to simulate night time.

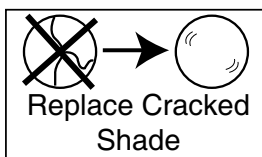
## Care and Cleaning:

Finish - We recommend cleaning with a soft dry cloth. Do not use abrasive materials as these will damage the finish.  
Glass parts - Wash with warm water or just use a damp cloth. Do not use abrasive materials as these will damage the finish.

**Do not clean the units with a pressure washer.**

## Safety Information:

For your safety, always switch off the supply before changing lightbulbs, cleaning or removing shades. The entire unit gets hot whilst on for a period of time.



The glass shade must be replaced immediately should the glass shade become cracked or damaged. This fitting must not be used without the glass shade in place.



Saxby Lighting Ltd. NW10 7UL