

saxby
lighting



Aretz Adjustable MH Recessed

13826

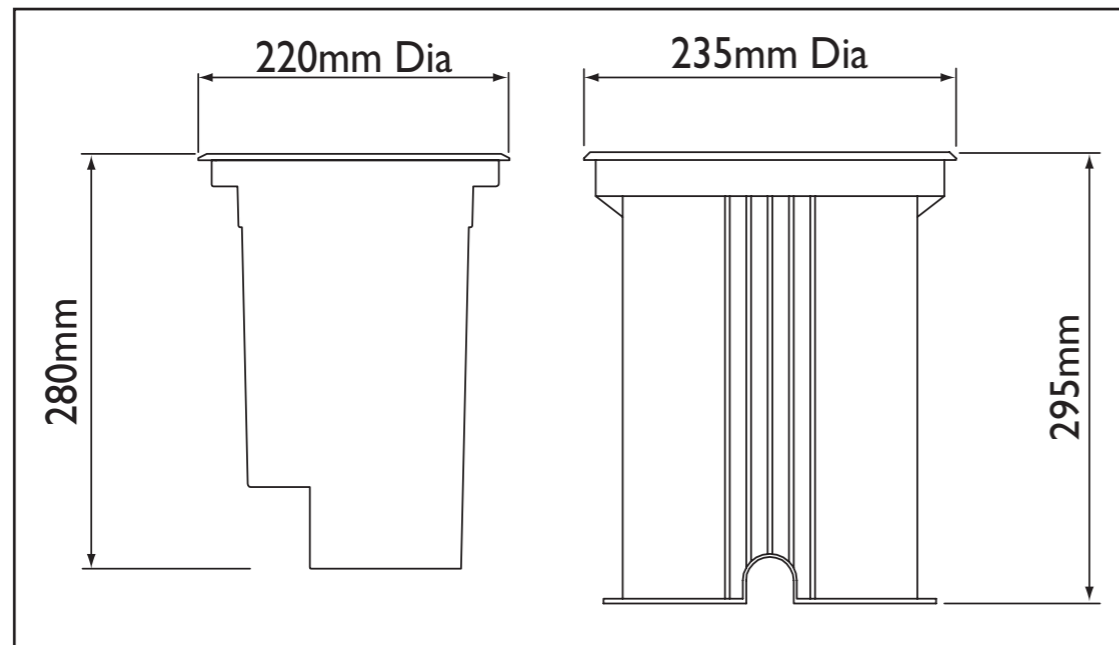
Thank you for purchasing this light fitting.
 Please read the instructions carefully before use to ensure safe and satisfactory operation of this product.
 Please retain these instructions for future reference.

Warning

This is a Class 1 product and must be earthed.
 Please read these instructions carefully before commencing any work.
 This fitting must be fitted to a suitable track that has been properly installed.
 Install in accordance with IEE Wiring regulations and current Building Regulations.
 To prevent electrocution switch off at mains supply before installing or maintaining this fitting. Ensure other persons cannot restore the electrical supply without your knowledge. If you are in any doubt, please consult a qualified electrician.
 This light fitting should be connected to a fused circuit.
 Always ensure that you always use the correct wattage lamp to match the control gear. Use of incorrect lamp will damage the lamp and the control gear. Do not operate with a failed bulb or without a bulb as this may damage the unit.
 When changing a bulb, always switch off at the mains and allow the old bulb to cool down before handling.
 As with all metal halide fixtures, the unit must be allowed to cool down after switching off before the lamp is able to re-ignite
 Dispose of used bulbs carefully and responsibly.
 This product is not suitable for dimming.
 This product is rated at IP67.
 This product is not suitable for location in or near a marine environment.
 The entire unit gets hot whilst on for a period of time.

Specification

Voltage:	240V 50Hz a.c.	Please note this product is dual IP rated.
Lamp:	70W G12 (HCIT)	The cable gland is IP67 however all other seals are
IP rating:	65 & 67	IP65 rated and are not suitable for total immersion.



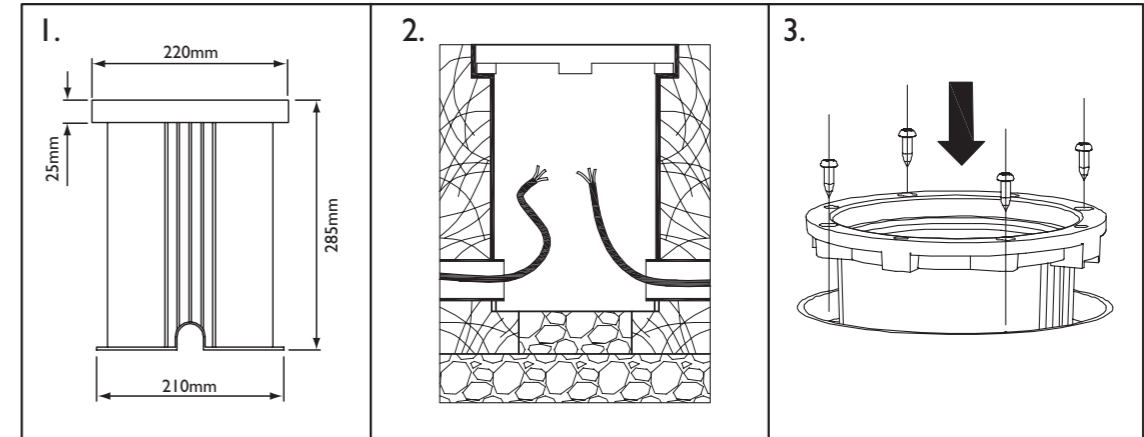
Layout

- Plan the desired layout of this fitting carefully, ensuring the cables will reach the distance between the junction box and the light fitting.
- Avoid locating any cables in positions that would cause a hazard. Position cables and outdoor rated junction boxes (not supplied) away from areas where they may be at risk from being cut, trapped or damaged.
- We recommend that you use H05RN-F specification cable (not supplied) which is an outdoor grade, rubber sheathed cable. The mains supply cable must have a minimum cross sectional area of 1.0mm²
- Cables must be protected using suitable conduit or plastic trunking.

Installation

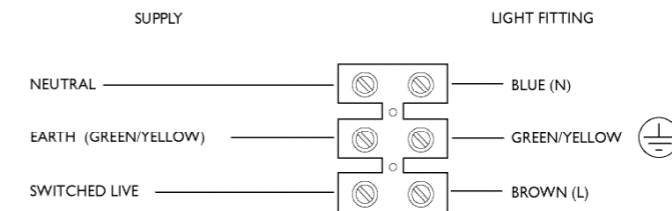
Existing fittings must be completely removed before installation of a new product. Before removing the existing fitting, carefully note the position of each set of wires.

- Undo the four allen screws holding the bezel and glass shade in place. Set aside.
- Undo the four self tapping screws holding the cast fitting to the plastic housing. Separate the casting from the housing by pulling gently. Set the cast fitting aside.
- The product must be mounted in the supplied housing. It should not be directly installed in the soil.
- Form a T shaped cutout to fit the housing into. The dimensions of the housing are given below in Fig. 1. Ensure that the counterbore at the top is used to hold the housing in position. Ensure that there is adequate drainage below the product.
- Position the conduit or plastic trunking at the grooves in the side of the housing (See Fig. 2).
- Ensure that the cables are not snagged. Screw the fitting to the housing (See Fig. 3).



Wiring

Having correctly identified the wiring from your existing light fitting, pull the wire through the hole and connect to the connection block inside the product in the following way:



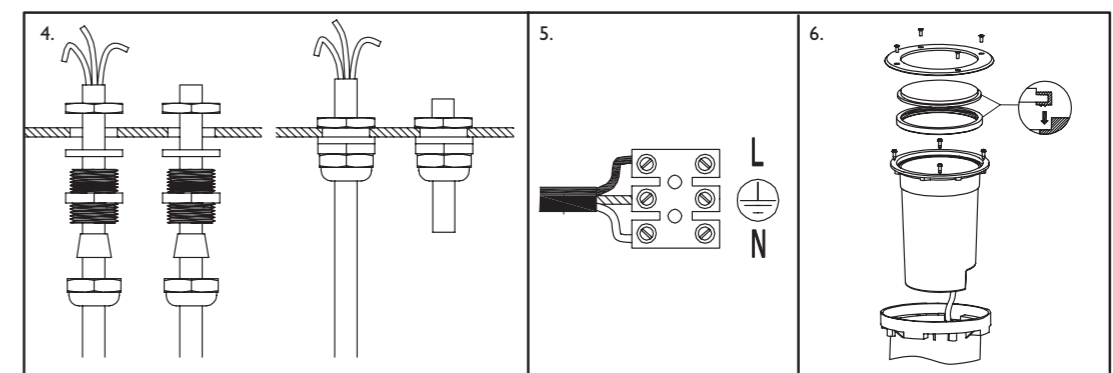
Check That

You have correctly identified the wires.

The connections are tight.

No loose strands have been left out of the connection block.

- The product can also loop through to another fitting. Punch out the hole for the second gland and fit into place in place. Ensure that the wire is fitted correctly in the centre of the gland. Re-assemble the gland, but do not tighten yet (See Fig. 4).
- Connect the loop supply wires to the product terminal block as shown. Ensure that you have correctly identified the wires, that the connections are tight and no loose strands have been left out of the connection block.



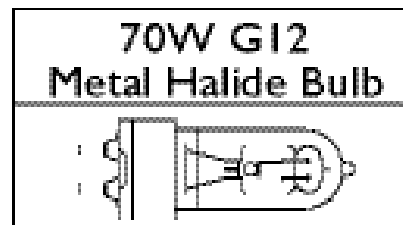
Commissioning

7. Fit the reflector carefully back into the fitting, and adjust to direction to suit. Pull the wiring through the glands, then tighten them properly.
8. Adjust the cable(s) so it does not get snagged.
9. Fit the product into the housing. Refit the the four self tapping screws.
10. Refit the seal and shade. Ensure that the seal has the small ridges facing down as shown (See Fig. 6).
11. Refit the bezel and the four allen screws as shown (See Fig. 6).
12. Replace fuse or circuit breaker and switch on. Your light is now ready for use.

Fitting / Replacing Bulbs

When changing a bulb, always switch off at the mains and allow the bulb to cool before handling. Dispose of used bulbs carefully. Use a soft cloth to handle bulbs, avoid directly touching the bulbs as this will shorten their life.

Always ensure that you always use the correct wattage lamp to match the control gear. Use of incorrect lamp will damage the lamp and the control gear. The lamp must be fitted in accordance with the lamp manufactures instructions. Failed lamps must be replaced immediately otherwise damaged may occur to the gear and ignitor.



Care and Cleaning

We recommend cleaning with a soft dry cloth.

Do not use solvents or abrasive cleaners as these could damage the finish.

Glass parts - Remove and wash in warm water or just use a damp cloth. Do not use abrasive materials as these will damage the finish.

To prolong the life and keep your outdoor lighting in good condition, it is recommended that periodically it is cleaned using a soft cloth followed by the application of a light coating of oil, such as WD40.

Recycling Advice



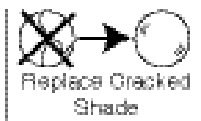
Waste electrical products should not be disposed of with household waste. Please recycle where facilities exist. Check with your Local Authority or retailer for recycling advice.

Safety Information

Live Voltages may be present in this unit even when turned off or when completely disconnected.

For your safety, always switch off the supply before changing lightbulbs, or cleaning.

This system contains non-replaceable parts and cannot be serviced. If damage occurs the part should be scrapped.



The shade must be replaced immediately should the shade become cracked or damaged. This fitting must not be used without the shade in place.



Saxby Lighting Ltd. NW10 7UL