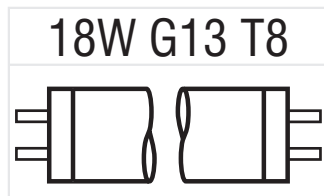


Commissioning

- Replace the louvre.
- Replace fuse or circuit breaker and switch on. Your light is now ready for use.

Fitting/replacing bulbs

- When changing a bulb, always switch off at the mains and allow the bulb to cool before handling.
- Used bulbs should not be disposed of with household waste. Please recycle where facilities exist.
- Always use the correct type and wattage bulb. Using the incorrect wattage bulb will damage the bulb and ballast.
- Remove the aluminium louvre from the fitting and set aside.
- Fit the lamp by aligning the pins in the slots and pushing gently in and rotating 90 degrees.
- Refit the the aluminium louvre in place.



We recommend cleaning with a soft dry cloth.
Do not use solvents or abrasive cleaners as these could damage the finish.

Recycling advice



Waste electrical products should not be disposed of with household waste. Please recycle where facilities exist. Check with your Local Authority or retailer for recycling advice.

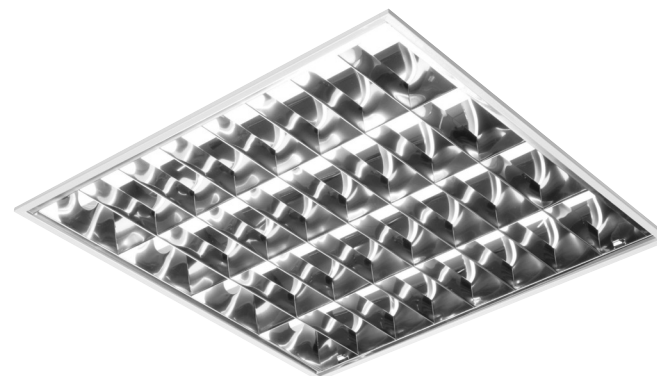
Safety information

Live Voltages may be present in this unit even when turned off or when completely disconnected. For your safety, always switch off the supply before changing lightbulbs, or cleaning.

Instruction leaflet

Recessed Cat 2

10691



saxby
lighting

Thank you for purchasing this light fitting. Please read the instructions carefully before use to ensure safe and satisfactory operation of this product. Please retain these instructions for future reference.

Warning

This is a Class 1 product and must be earthed.

Please read these instructions carefully before commencing any work.

This unit must be fitted by a competent and qualified electrician.

Install in accordance with IEE Wiring regulations and current Building Regulations.

To prevent electrocution switch off at mains supply before installing or maintaining this fitting. Ensure other persons cannot restore the electrical supply without your knowledge.

This light fitting should be connected to a fused circuit.

If replacing an existing fitting, make a careful note of the connections.

Always use the correct type and wattage bulb. Using the incorrect wattage bulb will damage the bulb and ballast.

When changing a bulb, always switch off at the mains and allow the old bulb to cool down before handling. Dispose of used bulbs carefully and responsibly.

This product is not suitable for dimming.

Waste electrical products should not be disposed of with household waste. Please recycle where facilities exist. Check with your local authority or retailer for recycling advice.

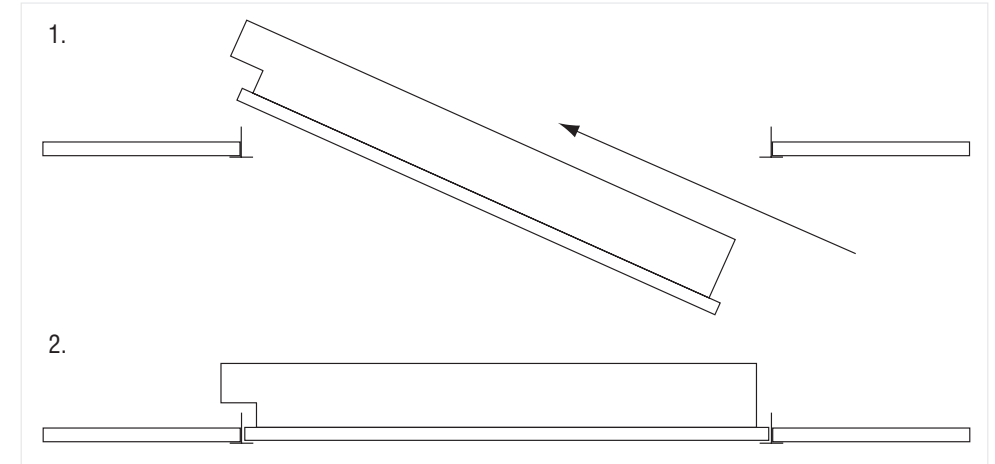
These products should not be fitted to PIR circuits or short duration timed switches. Should you wish to connect this unit to a timed system please consult the manufacturer before installation.

Installation

Existing fittings must be completely removed before installation of a new product. Before removing the existing fitting, **carefully note the position of each set of wires.**

- These fittings are designed to be fitted into a suspended ceiling.
- Remove the aluminium louvre from the fitting and set aside.

- If there is a ceiling tile in position then ensure that is removed.
- Ensure that the fitting is sitting properly on the T bars of the suspended ceiling and is not fouling any of the supporting bars.
- Wire as per the details below.



Specification

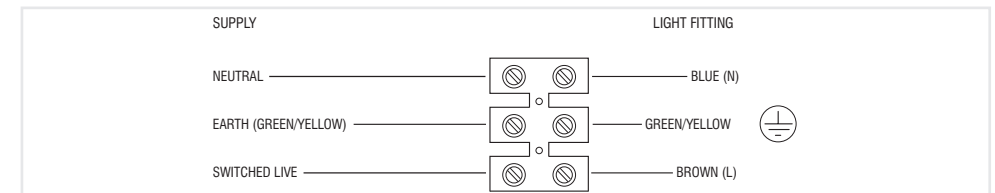
Voltage: 240V 50Hz a.c.
Lamp: 4 x 18W T5 Fluorescent
IP rating: 20

Layout

- Plan the desired layout of this fitting carefully, ensuring the cables will reach the distance between the junction box and the light fitting.
- Avoid locating any cables in positions that would cause a hazard. Position cables and junction boxes (not supplied) away from areas where they may be at risk from being cut, trapped or damaged.
- The mains supply cable must have a minimum cross sectional area of 1.0mm²
- Cables in walls must be protected using suitable conduit or plastic trunking.

Wiring

Having correctly identified the wiring from your existing light fitting, pull the wire through the hole and connect to the connection block inside the product in the following way:



Check that...

- You have correctly identified the wires
- The connections are tight
- No loose strands have been left out of the connection block.