

Commissioning

- Connect the LED driver output cable to the LED diffuser unit, ensuring it is securely clipped together.
- Connect the Earth cable on the body to the Earth tab on the LED diffuser unit, ensuring it is securely clipped together.
- Refit the LED diffuser unit by clipping it into place ensuring the sides are aligned with the body. Take care not to trap any cables.
- Refit the end caps ensuring they are clipped into position.
- Replace fuse or circuit breaker and switch on. Your light is now ready for use..

Fitting/replacing bulbs

- The LEDs in this fitting are non-replaceable.
- If any damage occurs this fitting should be discarded.

We recommend cleaning with a soft dry cloth. Do not use solvents or abrasive cleaners as these could damage the finish.

Recycling advice



Waste electrical products should not be disposed of with household waste. Please recycle where facilities exist. Check with your Local Authority or retailer for recycling advice.

Safety information

Live Voltages may be present in this unit even when turned off or when completely disconnected. For your safety, always switch off the supply before cleaning.

Instruction leaflet

Hydron

54596, 54597, 54598, 60176, 60177, 60178



saxby
lighting

Thank you for purchasing this light fitting. Please read the instructions carefully before use to ensure safe and satisfactory operation of this product. Please retain these instructions for future reference.

Warning

This is a Class 1 product and must be earthed.

Please read these instructions carefully before commencing any work.

This unit must be fitted by a competent and qualified electrician.

Install in accordance with IEE Wiring regulations and current Building Regulations.

To prevent electrocution switch off at mains supply before installing or maintaining this fitting. Ensure other persons cannot restore the electrical supply without your knowledge. If you are in any doubt, please consult a qualified electrician.

If replacing an existing fitting, make a careful note of the connections.

Waste electrical products should not be disposed of with household waste. Please recycle where facilities exist. Check with your local authority or retailer for recycling advice.

This product is rated at IP20.

This light fitting contains non-replaceable parts and cannot be serviced.

If damage occurs the part should be discarded.

This product is not dimmable.

Specification

Voltage:	240V 50Hz a.c.	
Lamp:	54596	: 19W LED module
	54597	: 23W LED module
	54598	: 28W LED module
	60176	: 41W LED module
	60177	: 50W LED module
	60178	: 60W LED module
IP rating:	20	

Layout

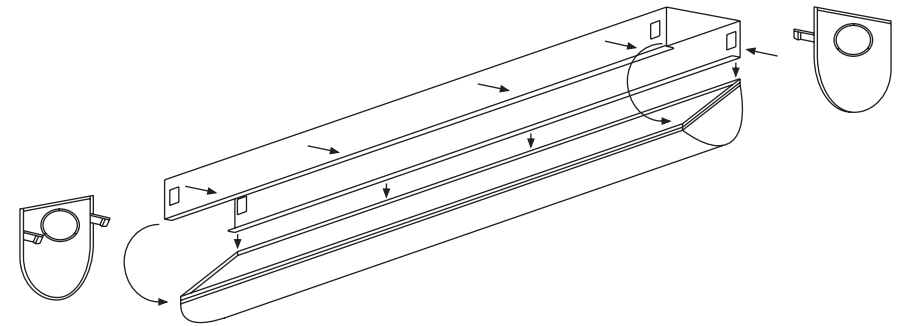
- This product can be installed on the ceiling or wall.
- Ensure the ceiling or wall is capable of holding the weight of the product

Installation

Existing fittings must be completely removed before installation of a new product. **Before removing the existing fitting, carefully note the position of each set of wires.**

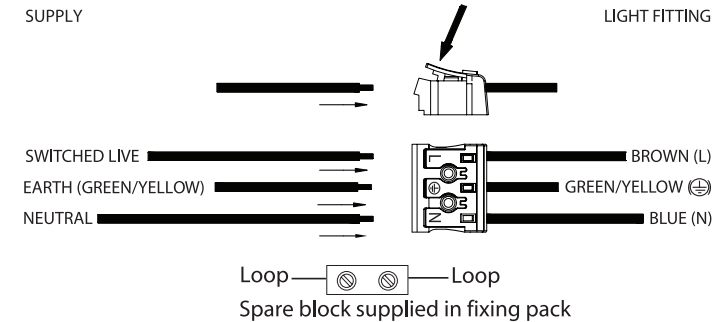
- Remove both end caps by pushing in the clips with a small screwdriver or similar tool.
- Starting from one end and working along, remove the LED diffuser unit by gently squeezing the sides of the metal body and lifting off the diffuser unit to one side.
- Hold the product in place and mark the position of the fixing holes. This may require the help of an assistant. If wall mounting, ensure that the product is level.

- Ensure the ceiling or wall is capable of holding the weight of the product. Take care to avoid damaging any concealed wiring and pipes. The correct fixings should be used for brick, cavity walls or plasterboard.
- Feed the supply cable through the centre hole and fix the light fitting into position.
- Connect the supply cable to the quick fit terminal block as below



Wiring

Having correctly identified the wiring from your existing light fitting, connect to the connection block inside the product in the following way:



Check that...

- You have correctly identified the wires
- The connections are tight
- No loose strands have been left out of the connection block.