

## Commissioning

- Locate the shade over the fixing bracket.
- Tighten the screws (B) on top of the product to secure the shade in place.
- Replace fuse or circuit breaker and switch on. Your light is now ready for use.

## Fitting/replacing bulbs

- The LED's in this product are non replaceable.

We recommend cleaning with a soft dry cloth.  
Do not use solvents or abrasive cleaners as these could damage the finish.

## Recycling advice



Waste electrical products should not be disposed of with household waste. Please recycle where facilities exist. Check with your Local Authority or retailer for recycling advice.

## Safety information

For your safety, always switch off the supply before changing lightbulbs, or cleaning.

## Instruction leaflet

# Kamber Wall

55598



saxby  
lighting

Thank you for purchasing this light fitting. Please read the instructions carefully before use to ensure safe and satisfactory operation of this product. Please retain these instructions for future reference.

## Warning

### This light fitting is Class 1 and must be connected to an Earth circuit

Please read these instructions carefully before commencing any work.

This unit must be fitted by a competent and qualified electrician.

Install in accordance with IEE Wiring regulations and current Building Regulations.

To prevent electrocution switch off at mains supply before installing or maintaining this fitting. Ensure other persons cannot restore the electrical supply without your knowledge. If you are in any doubt, please consult a qualified electrician.

This light fitting should be connected to a circuit with a 30mA RCD fitted.

If replacing an existing fitting, make a careful note of the connections.

This system contains non-replaceable parts and cannot be serviced. If damage occurs the part should be scrapped.

Waste electrical products should not be disposed of with household waste. Please recycle where facilities exist. Check with your local authority or retailer for recycling advice.

This product is rated at IP20

This product is not suitable for dimming.

## Specification

Voltage:	240V 50Hz a.c.
Lamp:	8W LED Module (SMD 5630)
IP rating:	20

## Layout

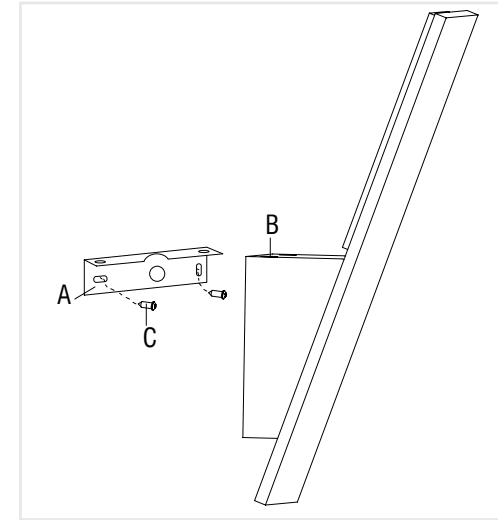
- Plan the desired layout of this fitting carefully, ensuring the cables will reach the distance between the junction box and the light fitting
- Avoid locating any cables in positions that would cause a hazard. Position cables and junction boxes (not supplied) away from areas where they may be at risk from being cut, trapped or damaged
- Cables in walls must be protected using suitable conduit or plastic trunking.
- The mains supply cable must have a minimum cross sectional area of 1.0mm<sup>2</sup>

## Installation

Existing fittings must be completely removed before installation of a new product. Before removing the existing fitting, **carefully note the position of each set of wires.**

- Remove the fixing bracket (A) from the product by removing the top allen fixing screws (B). Keep them in a safe place, along with the allen key for refitting later.
- Hold the bracket in position and mark the location of the fixing holes.

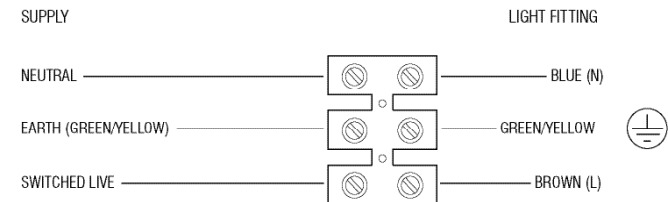
- Thread the cable through the hole.
- Fix the bracket to the wall using the screws (C) supplied. Ensure the wall is capable of holding the weight of the product. Take care to avoid damaging any concealed wiring and pipes. The correct fixings should be used for brick or cavity walls.
- Wire as detailed below.



## Wiring

Having correctly identified the wiring from your existing light fitting and connect to the connection block inside

the product in the following way:



## Check that...

- You have correctly identified the wires.
- The connections are tight.
- No loose strands have been left out of the connection block.