

Commissioning

- Refit the shade to the product with the screws set aside earlier.
- Replace fuse or circuit breaker and switch on. Your light is now ready for use.

54185 - Microwave sensor

- Product 54185 is fitted with a Microwave Movement Sensor. Please see the additional instruction leaflet for detailed operating instructions. Please note that the sensor is already installed inside the product.

Fitting/replacing bulbs

- The LED bulbs in this product are non replaceable

We recommend cleaning with a soft dry cloth.
Do not use solvents or abrasive cleaners as these could damage the finish.

Recycling advice



Waste electrical products should not be disposed of with household waste. Please recycle where facilities exist. Check with your Local Authority or retailer for recycling advice.

Safety information

Live Voltages may be present in this unit even when turned off or when completely disconnected. For your safety, always switch off the supply before changing lightbulbs, or cleaning.

Instruction leaflet

Luella Flush

54184, 54185



saxby
lighting

Thank you for purchasing this light fitting. Please read the instructions carefully before use to ensure safe and satisfactory operation of this product. Please retain these instructions for future reference.

Warning



This product is Class 2 (Double insulated) and must not be earthed.

Please read these instructions carefully before commencing any work.

This unit must be fitted by a competent and qualified electrician.

Install in accordance with IEE Wiring regulations and current Building Regulations.

To prevent electrocution switch off at mains supply before installing or maintaining this fitting. Ensure other persons cannot restore the electrical supply without your knowledge. If you are in any doubt, please consult a qualified electrician.

This light fitting should be connected to a circuit with a 30mA RCD fitted.

If replacing an existing fitting, make a careful note of the connections.

This product contains non-replaceable parts and cannot be serviced. If damage occurs the part should be scrapped.

Waste electrical products should not be disposed of with household waste. Please recycle where facilities exist. Check with your local authority or retailer for recycling advice.

This product is rated at IP54.

The entire unit gets hot whilst on for a period of time.

Specification

Voltage: 240V 50Hz a.c.
Lamp: 9W LED module (SMD 5630) Natural White
IP rating: 54

Layout

- Plan the desired layout of this fitting carefully, ensuring the cables will reach the distance between the junction box and the light fitting.
- Avoid locating any cables in positions that would cause a hazard. Position cables and outdoor rated junction boxes (not supplied) away from areas where they may be at risk from being cut, trapped or damaged.
- We recommend that you use H05RN-F specification cable (not supplied) which is an outdoor grade, rubber sheathed cable. The mains supply cable must have a minimum cross sectional area of 1.0mm²
- Cables must be protected using suitable conduit or plastic trunking.

Installation

Existing fittings must be completely removed before installation of a new product. **Before removing the existing fitting, carefully note the position of each set of wires.**

- The help of an assistant is recommended when installing this fitting.
- Remove shade from the product by loosening the 3 screws around the outside of the shade (Fig. 1). Keep screws in a safe place for refitting later. You may need to use a flat screwdriver to prise the shade away from the ceiling cover.

- Using the ceiling cover as a template, mark the position of the mounting holes. Drill holes and fit supplied wall plugs (suitable for masonry only - for other surfaces use appropriate fixings). Feed the incoming mains supply cable through the grommet entry hole. Fix the ceiling cover to the ceiling using the supplied fixings (See Fig. 2).
- Wire as detailed below.

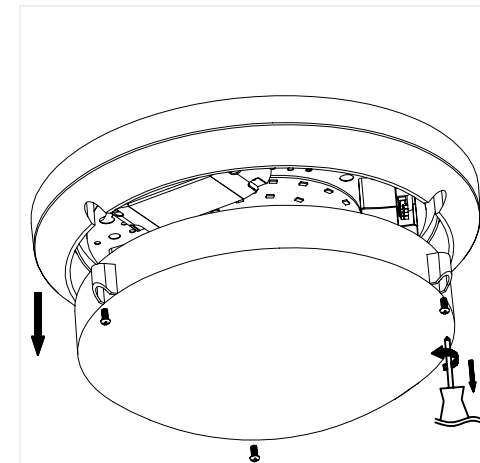


Fig. 1

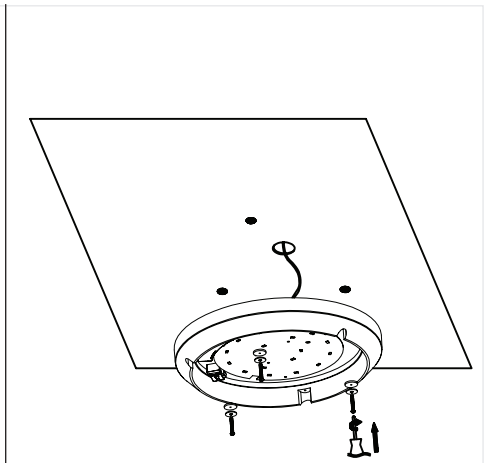


Fig. 2

Wiring

This product is double insulated and must not be earthed. If there are any incoming earth cables, they must be joined together and well insulated with good quality insulation tape. This is to ensure earth continuity throughout your property.

Having correctly identified the wiring from your existing light fitting, connect to the quick fit connection block in the following way:

