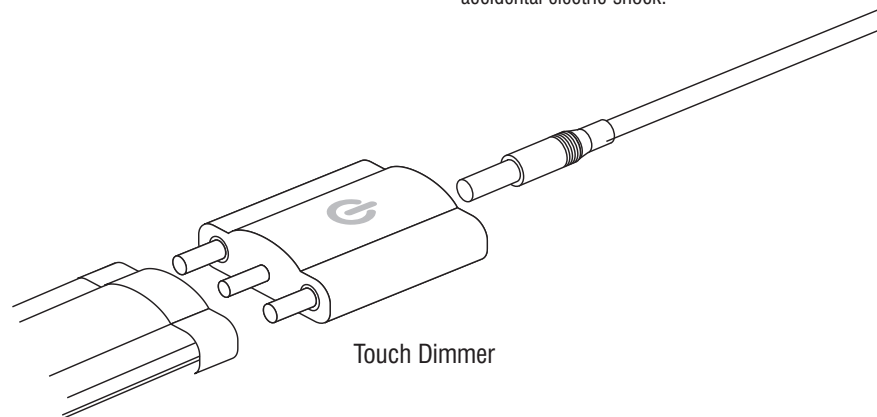


Commissioning

- Clip the products into the brackets.
- Plug in the touch dimmer and mains cable to the end of the product (Fig. 3).
- This product is supplied with a touch operated dimmer unit which offers three levels of illumination. Simply touch the symbol on the touch dimmer unit to operate.
- Alternatively the product can be connected directly to the transformer, at either end of the fitting, without the need for the dimmer unit.
- Ensure that the cables are routed to avoid accidents or damage occurring. We recommend that cables are secured to a mounting surface after installation.
- If a connector end is not being used remember to replace the covering cap. This is important to prevent accidental electric shock.

3.




Fitting/replacing bulbs

- This system contains non-replaceable parts and cannot be serviced. If damage occurs the part should be scrapped.

- Always switch off or disconnect from the mains when cleaning the product.
- We recommend cleaning with a soft dry cloth. Never use scourers, abrasives or chemical cleaners.
- Do not allow moisture to come into contact with electric parts.

Recycling advice

 Waste electrical products should not be disposed of with household waste. Please recycle where facilities exist. Check with your Local Authority or retailer for recycling advice.

Safety information

Under no circumstances must the connecting lead be modified for use as a power lead. This would make the exposed input socket live. For your safety, always switch off the supply before cleaning.

Instruction leaflet

Median LED Undercabinet

50726



CE

saxby
lighting

Thank you for purchasing this light fitting. Please read the instructions carefully before use to ensure safe and satisfactory operation of this product. Please retain these instructions for future reference.

Warning



This product is Double Insulated and does not require connection to an Earth circuit.

Please read these instructions carefully before commencing any work.

This unit must be fitted by a competent and qualified electrician.

Install in accordance with IEE Wiring regulations and current Building Regulations.

To prevent electrocution switch off at mains supply before installing or maintaining this fitting. Ensure other persons cannot restore the electrical supply.

This system contains non-replaceable parts and cannot be serviced. If damage occurs the part should be scrapped.

Waste electrical products should not be disposed of with household waste. Please recycle where facilities exist. Check with your local authority or retailer for recycling advice.

Specification

Voltage: 240V ~ 50Hz
Lamp: 6W LED (60 x Max. 0.1W LED)
IP rating: 20

Layout

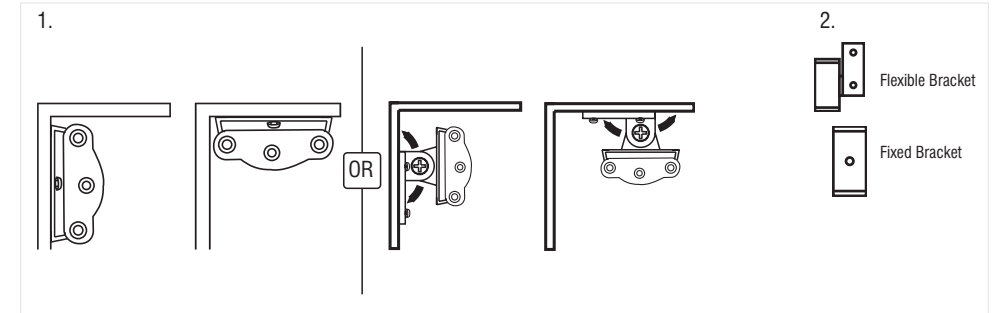
- This product is designed for use under kitchen cupboards, bookshelves, cabinets etc. Suitable for indoor use only. Not suitable for bathrooms.
- The chosen location should allow for the product to be securely mounted and safely connected to the mains supply (240V wall socket or fused outlet socket).
- Avoid locating any cables in positions that would cause a hazard. Position cables away from areas where they may be at risk from being cut, trapped or damaged.

Installation

Existing fittings must be completely removed before installation of a new product. Before removing the existing fitting, **carefully note the position of each set of wires.**

- After deciding on the layout of your choice (see Fig. 1), determine the positions of the fixing brackets.

- Using the desired brackets (see Fig. 2), fit the brackets into position using the supplied fixings.
- Wire as detailed below.



Wiring

This unit is double insulated and must not be earthed.

- To directly wire the power lead to a fused outlet socket, remove the plug and connect the Brown wire to the terminal marked L. The Blue wire must be connected to the terminal marked N. Use a 3 Amp Fuse approved to BS1362.
- This product is fitted with a plug. Simply plug-in to an outlet socket. Should the fuse require replacement, it must be replaced with a fuse rated at 3 amp and approved to BS1362.
- If the mains plug is unsuitable for the socket outlet or is removed for any other reason, then the cut off plug should be disposed of safely to prevent the hazard of electric shock.
- There is a danger of electric shock if the cut off plug is inserted into any 13 amp socket outlet.

- The wires in the mains lead on this appliance are coloured in accordance with the following code:
Blue – Neutral
Brown – Live
- Use a 3 Amp Fuse approved to BS1362.

