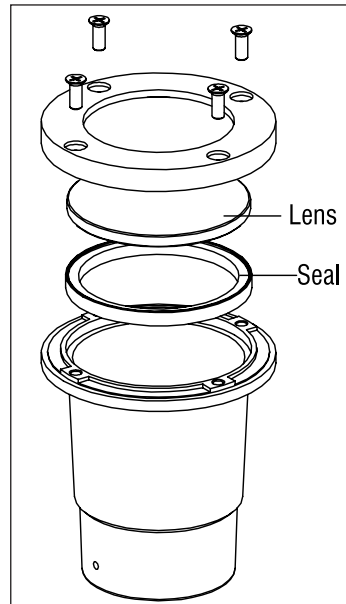
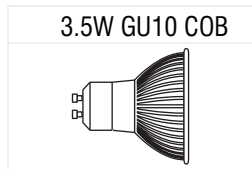


Fitting/Replacing bulbs

- When changing a bulb, always switch off at the mains and allow the bulb to cool before handling. Dispose of used bulbs carefully. Do not exceed the wattage stated or use a different shape bulb from that indicated on the fitting.
- To access the bulb, remove the screws, lens and seal. Set aside for refitting later.
- Use a soft cloth to handle bulbs, avoid directly touching the bulbs as this will shorten their life.
- Remove bulb by turning a quarter turn anticlockwise and pulling out.
- Push the bulb gently into the lampholder
- Refit the seal and lens. Tighten the screws to secure in place.



Commissioning

- Replace fuse or circuit breaker and switch on. Your light is now ready for use.

Finish - We recommend cleaning with a soft dry cloth. Do not use abrasive materials as these will damage the finish.

This system contains non-replaceable parts and cannot be serviced. If damage occurs the part should be scrapped.

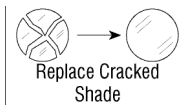
Recycling advice



Waste electrical products should not be disposed of with household waste. Please recycle where facilities exist. Check with your Local Authority or retailer for recycling advice.

Safety information

For your safety, always switch off the supply before changing lightbulbs, or cleaning.



This LED's are protected by a plastic lens. The lens part must be replaced immediately should it become cracked or damaged. This fitting must not be used without the plastic lens in place.

Iss.1 24112014

Instruction leaflet

Nara Spike

55615



saxby
lighting

Thank you for purchasing this light fitting. Please read the instructions carefully before use to ensure safe and satisfactory operation of this product. Please retain these instructions for future reference.

Warning

This is a Class 1 product and must be earthed.

Please read these instructions carefully before commencing any work.

This unit must be fitted by a competent and qualified electrician.

Install in accordance with IEE Wiring regulations and current Building Regulations.

To prevent electrocution switch off at mains supply before installing or maintaining this fitting. Ensure other persons cannot restore the electrical supply without your knowledge. If you are in any doubt, please consult a qualified electrician.

This light fitting should be connected to a fused circuit.

If replacing an existing fitting, make a careful note of the connections.

This system contains non-replaceable parts and cannot be serviced. If damage occurs the part should be scrapped.

Waste electrical products should not be disposed of with household waste. Please recycle where facilities exist. Check with your local authority or retailer for recycling advice.

This product is rated at IP44.

This product is not suitable for location in or near a marine environment.

Specification

Voltage: 240V 50Hz a.c.
Lamp: 1 x Max. 3.5W LED GU10
IP rating: 44

Layout

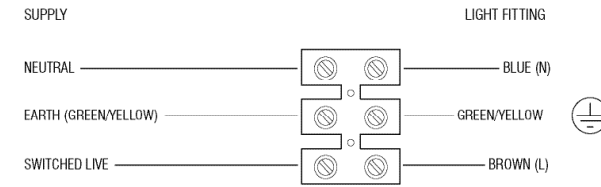
- Plan the desired layout of this fitting carefully, ensuring the cables will reach the distance between the junction box and the light fitting.
- Avoid locating any cables in positions that would cause a hazard. Position cables and outdoor rated junction boxes (not supplied) away from areas where they may be at risk from being cut, trapped or damaged.

Installation

- Decide on the position of the luminaire. Depending on the location, an approved outdoor rated plug and socket may be required. Alternatively an approved outdoor rated external terminal block may be used.
- Avoid locating any cables in positions that would cause a hazard. Position cables and connector block away from areas where they may be at risk from being cut, trapped or damaged.
- Cables that are to be in walls and concealed underground must be protected using suitable conduit or plastic trunking.
- Ensure that the ground is suitable for pushing the spike into, and can support the luminaire. Do not install in very wet or boggy areas.

Wiring

Having correctly identified the wiring from your existing light fitting and connect an approved outdoor rated terminal block in the following way:

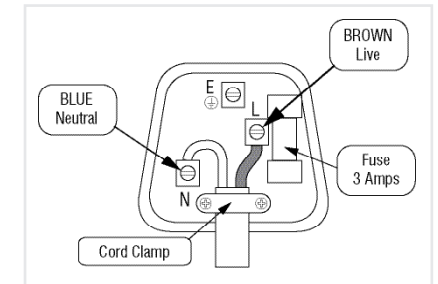


Plug Fitting

Alternatively, the product can be connected to a 3 pin plug.

- The appliance must be connected to a 240 volts AC supply.
- The appliance can be fitted to a rewirable 3 pin plug fitted with a 3 amp fuse. Should the fuse require replacement, it must be replaced with a fuse rated at 3 amp and approved to BS1362.
- If the mains plug is unsuitable for the socket outlet or is removed for any other reason, then the cut off plug should be disposed of safely to prevent the hazard of electric shock.

- There is a danger of electric shock if the cut off plug is inserted into any 13 amp socket outlet.



Check that...

- You have correctly identified the wires.
- The connections are tight.
- No loose strands have been left out of the connection block.
- Ensure that all cord grips are tightly secured.
- Ensure that all seals are re-fitted correctly.