

Commissioning

- Clip the products into the brackets.
- Plug in the mains cable to the end of the product.
- Ensure that the cables are routed to avoid accidents or damage occurring. We recommend that cables are secured to a mounting surface after installation.
- If a connector end is not being used remember to replace the covering cap. This is important to prevent accidental electric shock.

Fitting/replacing bulbs

- This system contains non-replaceable parts and cannot be serviced. If damage occurs the part should be scrapped.

- Always switch off or disconnect from the mains when cleaning the product.
- We recommend cleaning with a soft dry cloth. Never use scourers, abrasives or chemical cleaners.
- Do not allow moisture to come into contact with electric parts.

Recycling advice



Waste electrical products should not be disposed of with household waste. Please recycle where facilities exist. Check with your Local Authority or retailer for recycling advice.

Safety information

Under no circumstances must the connecting lead be modified for use as a power lead. This would make the exposed input socket live. For your safety, always switch off the supply before cleaning.

Instruction leaflet

Sleek LED Undercabinet

55506, 55507, 55508



saxby
lighting

Thank you for purchasing this light fitting. Please read the instructions carefully before use to ensure safe and satisfactory operation of this product. Please retain these instructions for future reference.

Warning



This product is Double Insulated and does not require connection to an Earth circuit.

Please read these instructions carefully before commencing any work.

This unit must be fitted by a competent and qualified electrician.

Install in accordance with IEE Wiring regulations and current Building Regulations.

To prevent electrocution switch off at mains supply before installing or maintaining this fitting. Ensure other persons cannot restore the electrical supply.

This system contains non-replaceable parts and cannot be serviced. If damage occurs the part should be scrapped.

Waste electrical products should not be disposed of with household waste. Please recycle where facilities exist. Check with your local authority or retailer for recycling advice.

When wiring to a fused outlet all connections and conductors must be doubled insulated.

Specification

Voltage:	240V ~ 50Hz
Lamp:	55506: 6W LED Module (453 lm) 55507: 10W LED Module (775 lm) 55508: 13W LED Module (1128 lm)
IP rating:	20

Layout

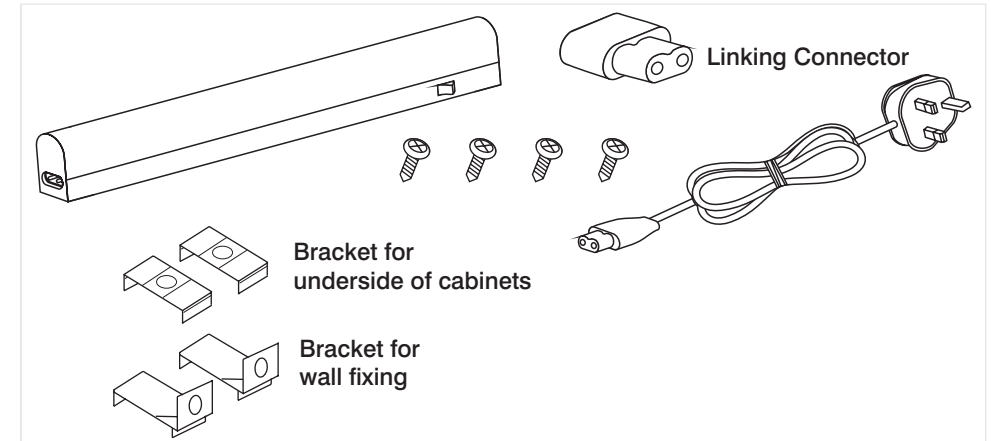
- This product is designed for use under kitchen cupboards, bookshelves, cabinets etc. Suitable for indoor use only. Not suitable for bathrooms.
- The chosen location should allow for the product to be securely mounted and safely connected to the mains supply (240V wall socket or fused outlet socket).
- Avoid locating any cables in positions that would cause a hazard. Position cables away from areas where they may be at risk from being cut, trapped or damaged.

Installation

Existing fittings must be completely removed before installation of a new product. Before removing the existing fitting, **carefully note the position of each set of wires.**

- After deciding on the layout of your choice, determine the positions of the fixing brackets.

- Using the desired brackets, fit the brackets into position using the supplied fixings.
- Wire as detailed below.
- This product can be linked together by using the supplied connector.



Wiring

This unit is double insulated and must not be earthed.

- This product is fitted with a plug. Simply plug-in to an outlet socket. Should the fuse require replacement, it must be replaced with a fuse rated at 3 amp and approved to BS1362.
- If the mains plug is unsuitable for the socket outlet or is removed for any other reason, then the cut off plug should be disposed of safely to prevent the hazard of electric shock.
- There is a danger of electric shock if the cut off plug is inserted into any 13 amp socket outlet.
- To directly wire the power lead to a fused outlet socket, remove the plug and connect the Brown wire to the terminal marked L. The Blue wire must be connected to the terminal marked N. Use a 3 Amp Fuse approved to BS1362.

- The wires in the mains lead on this appliance are coloured in accordance with the following code:
Blue – Neutral
Brown – Live
- Use a 3 Amp Fuse approved to BS1362.

