

Commissioning

- Refit side screws to reattach shade in place.
- Stand the product in place inline over the mounting holes and use a suitably sized screwdriver to tighten them so that they hold the fitting securely to the mounting surface.
- Replace fuse or circuit breaker and switch on. Your light is now ready for use.

Fitting/replacing bulbs

- The LED bulbs in this product are non replaceable

We recommend cleaning with a soft dry cloth. Do not use solvents or abrasive cleaners as these could damage the finish.

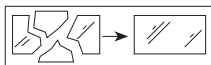
Recycling advice



Waste electrical products should not be disposed of with household waste. Please recycle where facilities exist. Check with your Local Authority or retailer for recycling advice.

Safety information

Live Voltages may be present in this unit even when turned off or when completely disconnected. For your safety, always switch off the supply before changing lightbulbs, or cleaning.



The LED module is protected by a shade. The shade cannot be replaced, if the shade becomes cracked or damaged, this fitting must be discarded.

Instruction leaflet

Tiesto Post & Bollard

55706, 55707



saxby
lighting

Thank you for purchasing this light fitting. Please read the instructions carefully before use to ensure safe and satisfactory operation of this product. Please retain these instructions for future reference.

Warning

This is a Class 1 product and must be earthed.

Please read these instructions carefully before commencing any work.

This unit must be fitted by a competent and qualified electrician.

Install in accordance with IEE Wiring regulations and current Building Regulations.

To prevent electrocution switch off at mains supply before installing or maintaining this fitting. Ensure other persons cannot restore the electrical supply without your knowledge. If you are in any doubt, please consult a qualified electrician.

This light fitting should be connected to a fused circuit.

If replacing an existing fitting, make a careful note of the connections.

Waste electrical products should not be disposed of with household waste. Please recycle where facilities exist. Check with your local authority or retailer for recycling advice.

This product is rated at IP44.

Specification

Voltage: 240V 50Hz a.c.
Lamp: 10W LED Module (COB) Natural White, 600lm
IP rating: 44

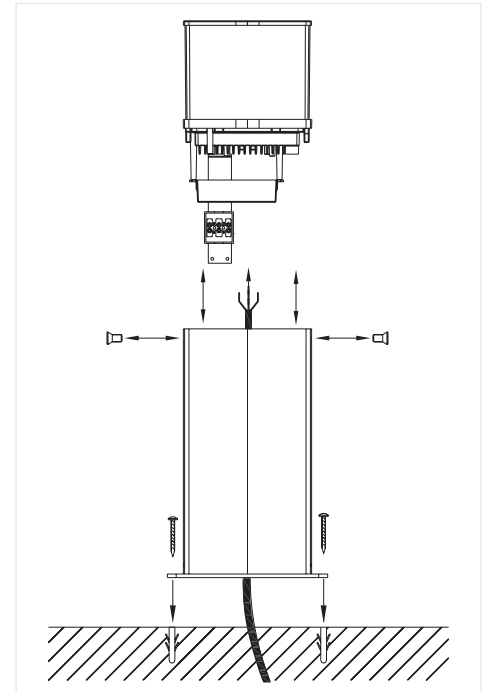
Layout

- Plan the desired layout of this fitting carefully, ensuring the cables will reach the distance between the junction box and the light fitting
- Avoid locating any cables in positions that would cause a hazard. Position cables and junction boxes (not supplied) away from areas where they may be at risk from being cut, trapped or damaged
- Cables in walls must be protected using suitable conduit or plastic trunking.
- We recommend that you use H05RN-F specification cable (not supplied) which is an outdoor grade, rubber sheathed cable. The mains supply cable must have a minimum cross sectional area of 1.0mm²
- These fitting must be mounted on either a concrete surface or a paving slab that has been concreted in position.

Installation

Existing fittings must be completely removed before installation of a new product. Before removing the existing fitting, **carefully note the position of each set of wires.**

- Using the base plate as a template, mark the fixing holes onto the mounting surface.
- Drill holes to the necessary size and depth - taking care not to damage any concealed pipes or wiring below the mounting surface.
- This product comes complete with screws and rawl plugs which are suitable for use on most surfaces, however alternative fixings may be required.
- Push the rawl plugs into the mounting holes.
- Remove the side fixing screws below the shade to access the terminal block.
- Wire as detailed below.



Wiring

Having correctly identified the wiring from your existing light fitting, pull the wire through the hole and connect to the connection block inside the product in the following way:

- Pull terminal block from inside of shade.
- Unscrew the 4 screws which attach the black box to the spacing strip. Open the black box and pull out the terminal block.
- Connect Live input wire to brown wire on product (or terminal on terminal block marked 'L').
- Connect Neutral input wire to blue wire on product (or terminal on terminal block marked 'N').
- Connect Input Earth wire (Green/yellow) to Earth wire on fitting,
- Check that you have correctly identified the supply wires, the connections are tight and that no loose strands have been left out of the connection block.
- Push terminal block back into the black box. Place back inside the product shade

