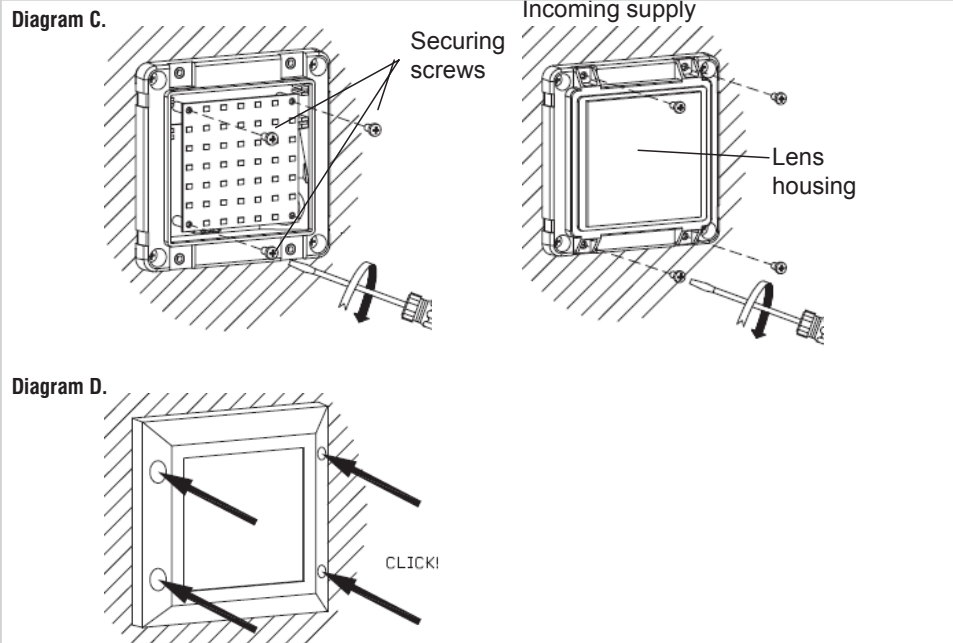


## Commissioning

- When complete, wrap the terminal block in 2 layers of good quality insulation tape.
- **Diagram C.** Re-fit the led board and the lens housing.
- **Diagram D.** Re-fit the cover plate – click in position.
- Replace fuse or circuit breaker and switch on. Your light is now ready for use.



## Fitting/Replacing bulbs

- The LED module in this product is non replaceable

We recommend cleaning with a soft dry cloth.

Do not use solvents or abrasive cleaners as these could damage the finish.

## Recycling advice

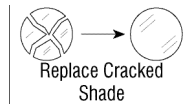


Waste electrical products should not be disposed of with household waste. Please recycle where facilities exist. Check with your Local Authority or retailer for recycling advice.

## Safety information

For your safety, always switch off the supply before changing lightbulbs, or cleaning.

This system contains non-replaceable parts and cannot be serviced. If damage occurs the part should be scrapped.



This light source is protected by a shade. This part must be replaced immediately should the shade become cracked or damaged. This fitting must not be used without the shade in place.

Iss.1 02062015

## Instruction leaflet

# Severus Outdoor Wall

61218



saxby  
lighting

Thank you for purchasing this light fitting. Please read the instructions carefully before use to ensure safe and satisfactory operation of this product. Please retain these instructions for future reference.

## Warning



**This light fitting is Double Insulated and does not require connection to an Earth circuit.**

Please read these instructions carefully before commencing any work.

This unit must be fitted by a competent and qualified electrician.

Install in accordance with IEE Wiring regulations and current Building Regulations.

To prevent electrocution switch off at mains supply before installing or maintaining this fitting. Ensure other persons cannot restore the electrical supply without your knowledge. If you are in any doubt, please consult a qualified electrician.

This light fitting should be connected to a fused circuit.

If replacing an existing fitting, make a careful note of the connections.

This system contains non-replaceable parts and cannot be serviced. If damage occurs the part should be scrapped.

Waste electrical products should not be disposed of with household waste. Please recycle where facilities exist. Check with your local authority or retailer for recycling advice.

This product is rated at IP65.

This product is not suitable for location in or near a marine environment.

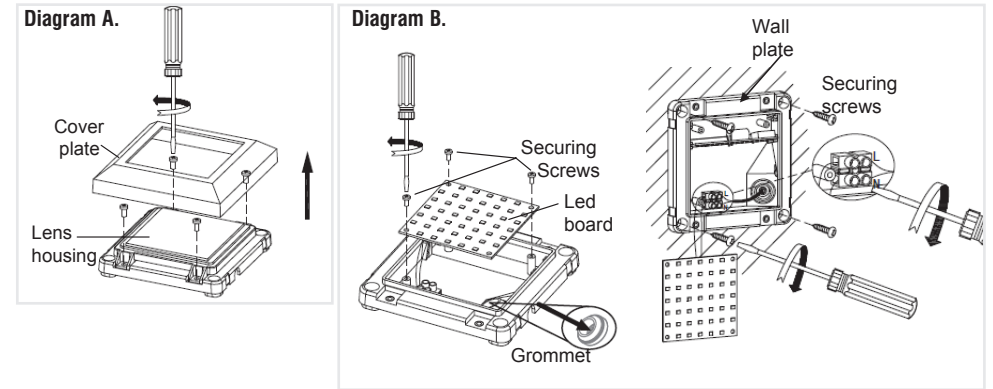
This product is not suitable for dimming.

## Installation

Existing fittings must be completely removed before installation of a new product. Before removing the existing fitting, **carefully note the position of each set of wires.**

- Determine the position of your light fitting taking into account the entry position of the cable and make sure there is sufficient cable coming out of the wall to connect to the terminal block. Ensure that the mounting surface is solid, preferably a brick or block wall and ensure that there are no other cables or pipes beneath the surface.

- Diagram A.** Gently prise off the cover plate to reveal the 4 retaining screws on the sides of the unit. Unscrew these to remove the lens housing.
- Diagram B.** Unscrew and remove the 3 led board screws. Bring the mains cable through the rubber grommet in the wall plate and then use the wall plate as a template and mark the fixings holes, making sure the wall plate is correctly aligned so that the top of it is horizontal. Use appropriate fixings to secure the back plate to the wall.
- Wire as detailed below.



## Specification

Voltage: 240V 50Hz a.c.  
Lamp: 3W LED Module (SMD 3014) Warm White - 180lm  
IP rating: 65

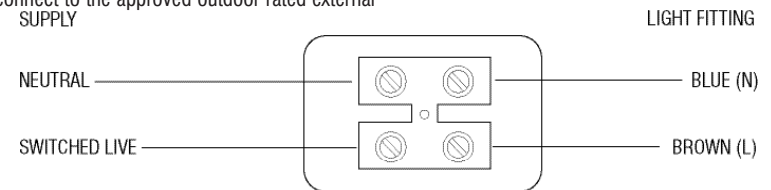
## Layout

- Plan the desired layout of this fitting carefully, ensuring the cables will reach the distance between the junction box and the light fitting.
- Avoid locating any cables in positions that would cause a hazard. Position cables and outdoor rated junction boxes (not supplied) away from areas where they may be at risk from being cut, trapped or damaged.
- We recommend that you use H05RN-F specification cable which is an outdoor grade, rubber sheathed cable. The mains supply cable must have a minimum cross sectional area of 1.0mm<sup>2</sup>
- Cables must be protected using suitable conduit or plastic trunking.

## Wiring

Having correctly identified the wiring from your light fitting, connect to the approved outdoor rated external terminal block in the following way:

terminal block in the following way:



## Check that...

- You have correctly identified the wires
- The connections are tight
- No loose strands have been left out of the connection block.
- Reseal the approved outdoor rated external terminal block.