

Care & Use

- Wipe clean with a soft dry cloth. Never use scourers, abrasives or chemical cleaners. Do not allow moisture to come into contact with electric parts.
- Do not dispose of used batteries with your household waste.
- Please recycle where facilities exist. Check with your local authority for recycling advice.

-
- We recommend cleaning with a soft dry cloth. Do not use solvents or abrasive cleaners as these could damage the finish.

Instruction leaflet

Taro LED Bathroom Mirror

61596



CE

saxby
lighting

Iss.1 12062015

Thank you for purchasing this light fitting. Please read the instructions carefully before use to ensure safe and satisfactory operation of this product. Please retain these instructions for future reference.

Warning

III This product is Class 3

Please read these instructions carefully before commencing any work.

This unit must be fitted by a competent and qualified electrician.

This system contains non-replaceable parts and cannot be serviced. If damage occurs the part should be scrapped.

This product is not suitable for dimming.

Waste electrical products should not be disposed of with household waste. Please recycle where facilities exist. Check with your local authority or retailer for recycling advice.

Battery Care Warnings

DO NOT:-

Attempt to connect more than 1 battery box.

Mix battery types, or combine old and new batteries. Short battery box supply terminals.

Attempt to recharge Non-Rechargeable Batteries.

Attempt to recharge rechargeable batteries without removing from battery box.

Leave exhausted batteries in battery box.

Specification

Lamp: 1.5W LED Capsule Cool White - 3lm

IP rating: 44

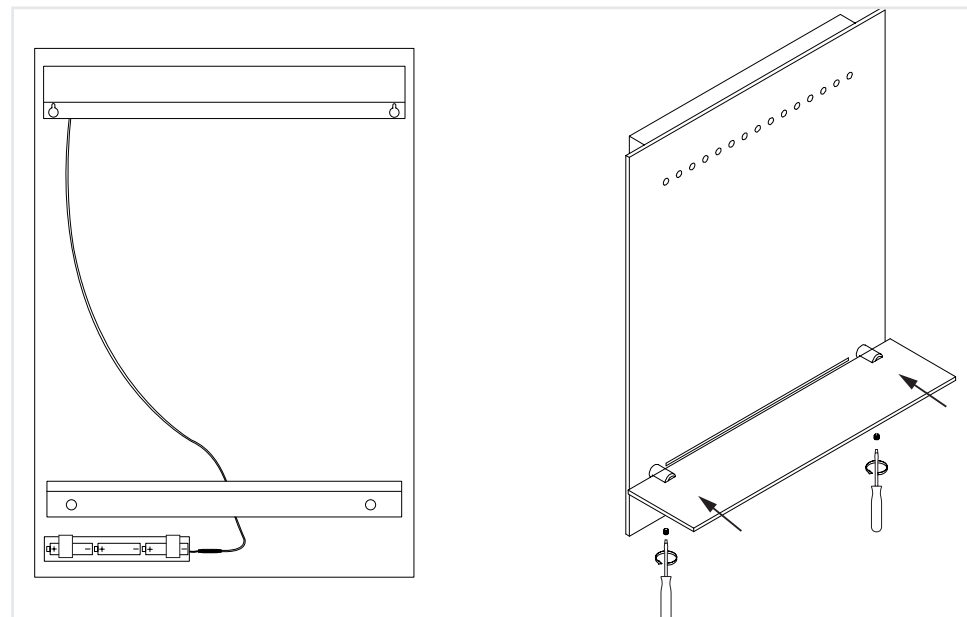
Battery: 3 x 1.5V AA

Layout

- This product is battery powered and is therefore exempt from IEE wiring regulations concerning bathrooms.
- This product has special protection against the ingress of moisture and is IP44 rated.
- This product is suitable for all areas of a bathroom. The chosen location should allow for the product to be securely mounted. (e.g. to a stud wall framework)

Installation

- This mirror fixes to the wall by locating the keyhole shaped slots over the mounting screws in the wall. It is important to get the screw positions correct to ensure easy and secure fitting.
- Measure the distance between the hole centres on the fixing lugs. Mark the positions of the screw holes on the wall. Check for concealed pipes and wiring before drilling. Use suitable drill bits for masonry and ceramic tiles.
- Supplied wall plugs are for solid walls only. For all other wall types ensure correct fixings are used. Fit appropriate wall fixings and fit supplied screws. Screw heads must protrude approx 3-5mm from the wall to enable lugs to fit over adequately.
- To fit the shelf to the mirror, slot into fixing brackets so shelf is centralised with mirror. Fasten grub screws underneath to ensure shelf is retained securely. Do not overtighten grub screws.



Fitting/Replacing batteries

- **This product requires 3x 1.5V AA batteries.**
- **The performance of the product will depend on the quality and type of batteries used.**
- **Always use good quality batteries.**
- Unclip battery box from mirror.
- Unscrew battery box cover. Insert 3x 1.5V AA batteries, observing correct polarity.
- Replace battery box cover, ensuring bezel seal is properly seated.