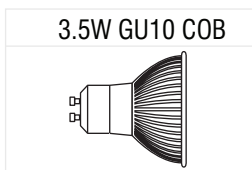


Commissioning

- Refit the product to the bracket.
- Replace fuse or circuit breaker and switch on. Your light is now ready for use.


Fitting/replacing bulbs - Max. 3.5W LED GU10 COB

- When changing a bulb, always switch off at the mains and allow the bulb to cool before handling. Dispose of used bulbs carefully. Do not exceed the wattage stated or use a different shape bulb from that indicated on the fitting.
- To access the bulb, remove the wire clip shown in the diagram overleaf. Set aside for refitting later.
- Remove bulb by turning a quarter turn anticlockwise and pulling out.
- Fit the new bulb, and secure in place by refitting the wire clip.
- Refit the seal and lens. Tighten the screws to secure in place.



We recommend cleaning with a soft dry cloth.
Do not use solvents or abrasive cleaners as these could damage the finish.

Recycling advice

 Waste electrical products should not be disposed of with household waste. Please recycle where facilities exist. Check with your Local Authority or retailer for recycling advice.

Safety information

For your safety, always switch off the supply before changing lightbulbs, or cleaning.

Instruction leaflet

Salvo Wall

61640

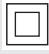


CE

Iss.1 19062015

Thank you for purchasing this light fitting. Please read the instructions carefully before use to ensure safe and satisfactory operation of this product. Please retain these instructions for future reference.

Warning

 **This product is Class 2 (Double insulated) and must not be earthed.**

Please read these instructions carefully before commencing any work.

This unit must be fitted by a competent and qualified electrician.

Install in accordance with IEE Wiring regulations and current Building Regulations.

To prevent electrocution switch off at mains supply before installing or maintaining this fitting. Ensure other persons cannot restore the electrical supply without your knowledge. If you are in any doubt, please consult a qualified electrician.

This light fitting should be connected to a circuit with a 30mA RCD fitted.

If replacing an existing fitting, make a careful note of the connections.

This system contains non-replaceable parts and cannot be serviced. If damage occurs the part should be scrapped.

Waste electrical products should not be disposed of with household waste. Please recycle where facilities exist. Check with your local authority or retailer for recycling advice.

This product is not suitable for dimming.

Specification

Voltage: 240V 50Hz a.c.
Lamp: 2 x Max. 3.5W GU10 COB
IP rating: 20

Layout

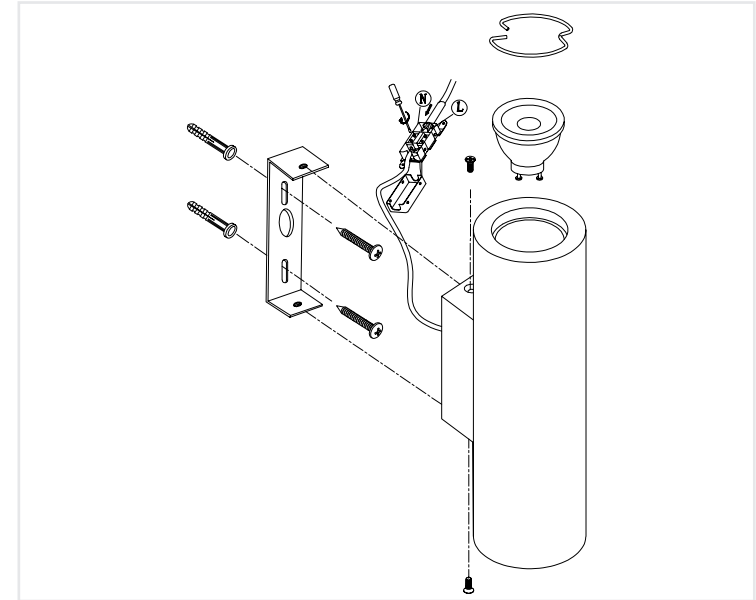
- Cables in walls must be protected using suitable conduit or plastic trunking.
- The mains supply cable must have a minimum cross sectional area of 1.0mm²

Installation

Existing fittings must be completely removed before installation of a new product. Before removing the existing fitting, **carefully note the position of each set of wires.**

- Undo the screws at the top and bottom of the product to separate the bracket from the product

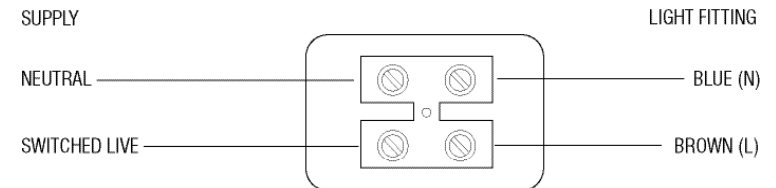
- Using the bracket as a template, mark the position of the mounting holes.
- Drill holes and fit supplied wall plugs (suitable for masonry only - for other surfaces use appropriate fixings).
- Wire as detailed below.



Wiring

Having correctly identified the wiring from your light fitting, connect to the approved outdoor rated external

terminal block in the following way:



Check that...

- You have correctly identified the wires
- The connections are tight
- No loose strands have been left out of the connection block.
- The cover has been refitted over the terminal block