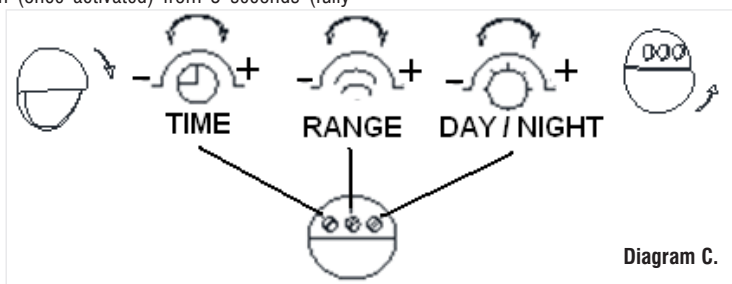


Fitting/replacing bulbs: Max. 2.5W GU10 COB

- When changing a bulb, always switch off at the mains and allow the bulb to cool before handling.
- Always use the correct type and wattage bulb. Using the incorrect wattage bulb will damage the bulb and ballast.
- Used bulbs should not be disposed of with household waste. Please recycle where facilities exist.
- Gently pull the bulb out from the lampholder to remove. Gently push new bulb into lampholder to replace. Refit bulb covers.

PIR Adjustment


- **Diagram C. To Test the Fitting. Turn on the power.** To test the PIR unit in daylight, Pull the lens cover down – to expose the dials- then turn the timer dial (with clock) gently fully anti-clockwise (towards the -) and turn the Day / Night dial gently fully clockwise (towards the +). Lift the lens cover and activate the PIR by covering the PIR lens with your hand. The unit will light and should stay on for approximately 5-10 seconds then go off. It will remain off until the light level drops.
- **To adjust Time On.** By adjusting the timer dial the unit will stay on (once activated) from 5 seconds (fully anti-clockwise) to 5 minutes (Fully clockwise) • Replace the bulb cover.
- **To adjust range level:** By adjusting the Range level dial the unit will activate from 4 metres (fully anticlockwise) to 8 metres (fully clockwise). The angle of detection is approximately 90.
- **To adjust the light level:** By adjusting the Light level dial the unit will activate either in daylight (fully anticlockwise) or at night (fully clockwise).
- For optimum detection range a mounting height of 1.8M to 2.5M metres is recommended.



We recommend cleaning with a soft dry cloth.

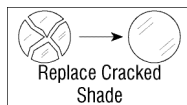
Do not use solvents or abrasive cleaners as these could damage the finish.

Recycling advice

 Waste electrical products should not be disposed of with household waste. Please recycle where facilities exist. Check with your Local Authority or retailer for recycling advice.

Safety information

For your safety, always switch off the supply before changing lightbulbs, or cleaning. This system contains non-replaceable parts and cannot be serviced. If damage occurs the part should be scrapped.



This light source is protected by a shade. This part must be replaced immediately should the shade become cracked or damaged. This fitting must not be used without the shade in place.

Iss.1 12062015

Instruction leaflet

Icarus Twin PIR Wall

61007



CE

saxby
lighting

Thank you for purchasing this light fitting. Please read the instructions carefully before use to ensure safe and satisfactory operation of this product. Please retain these instructions for future reference.

Warning



This light fitting is Double Insulated and does not require connection to an Earth circuit.

Please read these instructions carefully before commencing any work.

This unit must be fitted by a competent and qualified electrician.

Install in accordance with IEE Wiring regulations and current Building Regulations.

To prevent electrocution switch off at mains supply before installing or maintaining this fitting. Ensure other persons cannot restore the electrical supply without your knowledge. If you are in any doubt, please consult a qualified electrician.

This light fitting should be connected to a fused circuit.

If replacing an existing fitting, make a careful note of the connections.

This system contains non-replaceable parts and cannot be serviced. If damage occurs the part should be scrapped.

Waste electrical products should not be disposed of with household waste. Please recycle where facilities exist. Check with your local authority or retailer for recycling advice.

This product is rated at IP44.

This product is not suitable for location in or near a marine environment.

This product is not suitable for dimming.

PIR Sensor

All time on values are approximate.

After adjustment, make sure the lens cover is lifted up to expose the detector lens.

This unit does NOT have an override function.

Specification

Voltage: 240V 50Hz a.c.
Lamp: 2.5W GU10 COB
IP rating: 44

Layout

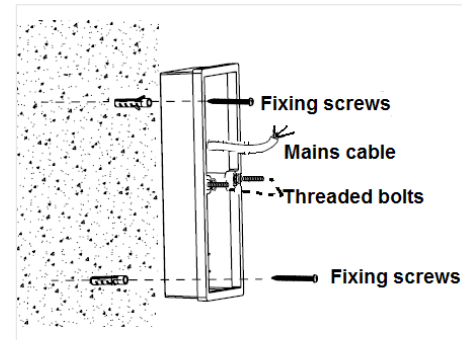
- Plan the desired layout of this fitting carefully, ensuring the cables will reach the distance between the junction box and the light fitting.
- Avoid locating any cables in positions that would cause a hazard. Position cables and outdoor rated junction boxes (not supplied) away from areas where they may be at risk from being cut, trapped or damaged.
- We recommend that you use H05RN-F specification cable which is an outdoor grade, rubber sheathed cable. The mains supply cable must have a minimum cross sectional area of 1.0mm²
- Cables must be protected using suitable conduit or plastic trunking.

Installation

Existing fittings must be completely removed before installation of a new product. Before removing the existing fitting, **carefully note the position of each set of wires.**

- Determine the position of your light fitting taking into account the entry position of the cable and the **ARROW** indicating which **WAY UP** the base is to be fitted. Make sure there is sufficient cable coming out of the wall to connect to the terminal block. Ensure that the mounting surface is solid, preferably a brick or block wall and ensure that there are no other cables or pipes beneath the surface.
- Diagram A.** Fit the 2 threaded posts in the back plate and bring the mains cable through the rubber

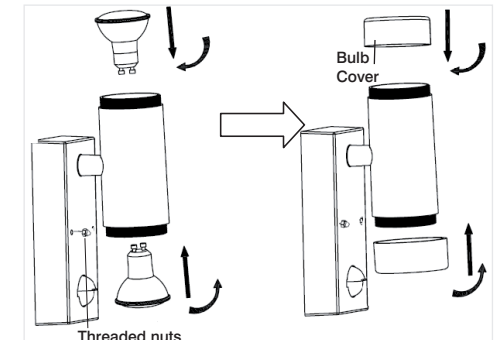
Diagram A.



grommet then use the back plate as a template and mark the 2 fixings holes, making sure the back plate is correctly aligned so that the threaded bolts are horizontal. Use appropriate fixings to secure the back plate to the wall.

- Wire as detailed below.
- Diagram B.** Fit the terminal block onto the post in the back plate and then fit the front frame over the 2 threaded bolts in the back plate and secure with the 2 threaded nuts. Take care not to trap or strain the internal cables. Fit the bulbs and bulb covers as detailed overleaf.
- Replace fuse or circuit breaker and switch on. Your light is now ready for use.

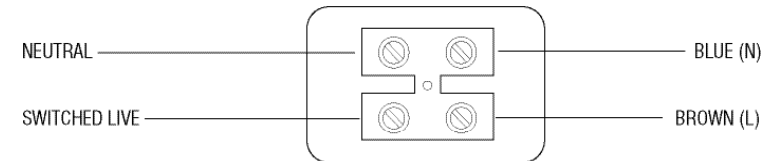
Diagram B.



Wiring

Having correctly identified the wiring from your light fitting, connect to the approved outdoor rated external SUPPLY

terminal block in the following way:.. N.B. Grommet must be securely in place to ensure water ingress protection. LIGHT FITTING



Check that...

- You have correctly identified the wires
- The connections are tight
- No loose strands have been left out of the connection block.
- Reseal the approved outdoor rated external terminal block.