



KITCHEN FAUCET

- **"Vantage Collection"**
- **Two-Handle Deck Mount**
- **4-Hole Installation**

STANDARD SPECIFICATIONS

- Hybrid waterway
- Ceramic disc cartridges
- Side-spray with matching finish spray head
- Maximum flow rate 2.2gpm @ 60 PSI

FINISHES INCLUDE

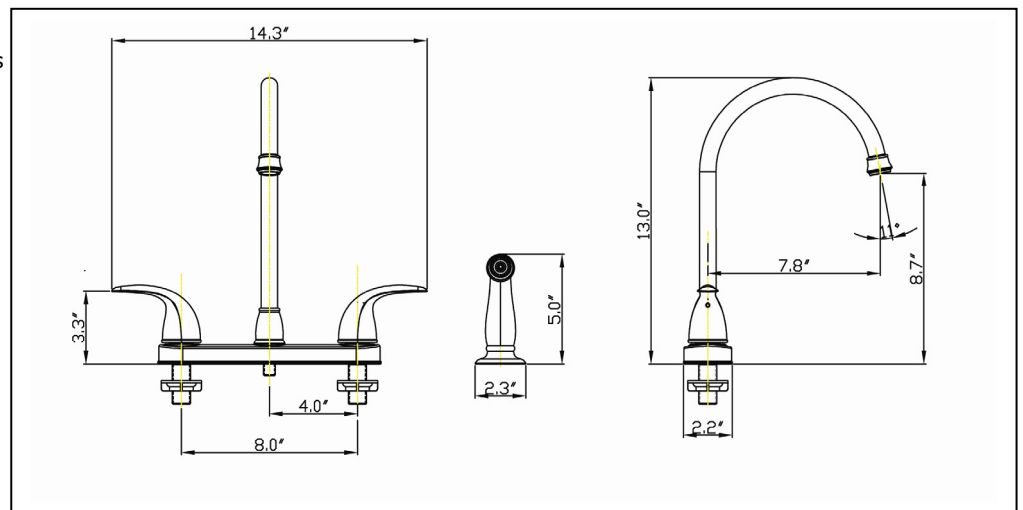
- Chrome (UF21040)
- Stainless steel (UF21043)
- Oil rubbed bronze (UF21045)

WARRANTY

- Ultra Faucets warrants to the original purchaser that its products will be free from defects in workmanship and materials. All Ultra Faucets are provided with a lifetime limited warranty. See assembly instruction for detail.

COMPLIES WITH

- NSF 61-9
- ASME A112.18.1
- CSA B125.1
- cUPC
- AB1953



tel. 888-OK-ULTRA (658-5872) • fax. 949-225-6099 • <http://www.ultrafaucets.com>

This specification is provided for reference only. Ultra Faucets reserves the right to modify specifications and materials without notice or obligation.