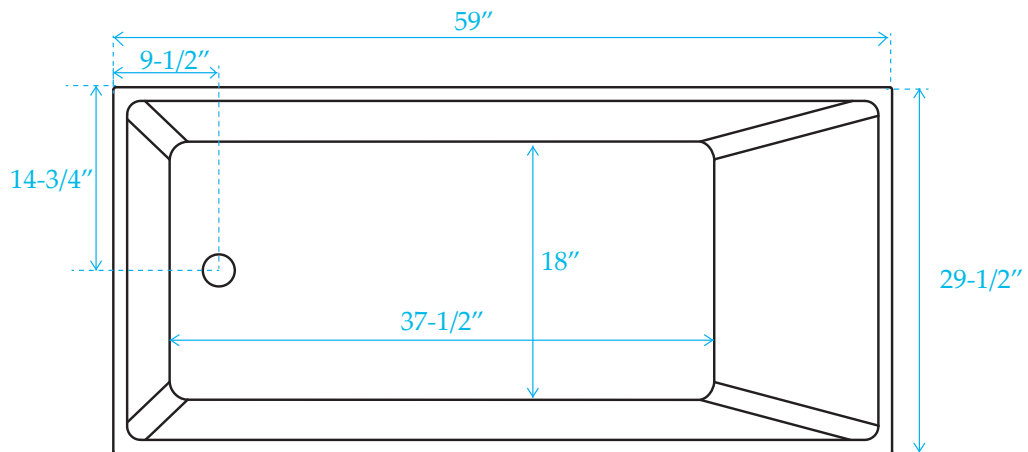
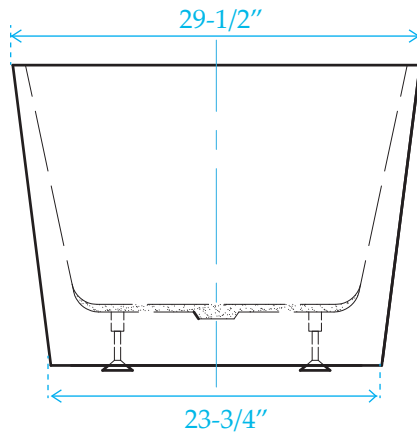
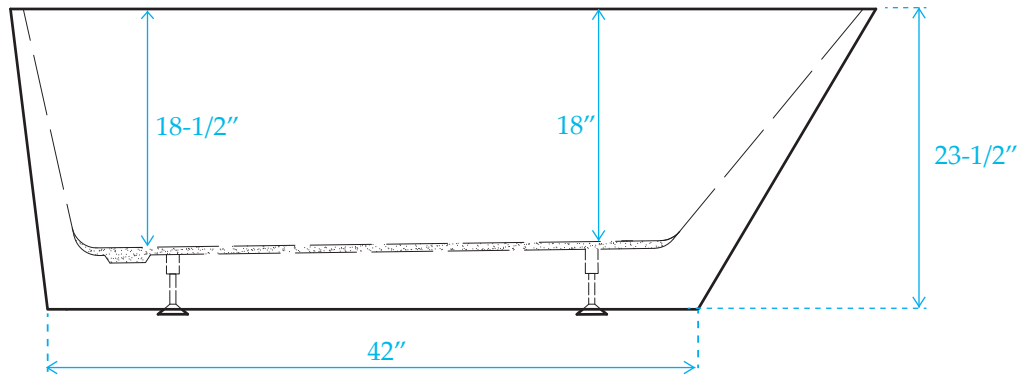


WYNDHAM COLLECTION

Exterior Size - 59"L x 29-1/2"W x 23-1/2"H
Depth at Drain - 18-1/2"
Maximum Fill - 74 Gallons
Note - All Measurements are $\pm 1/2"$



WC-BTK1501-59