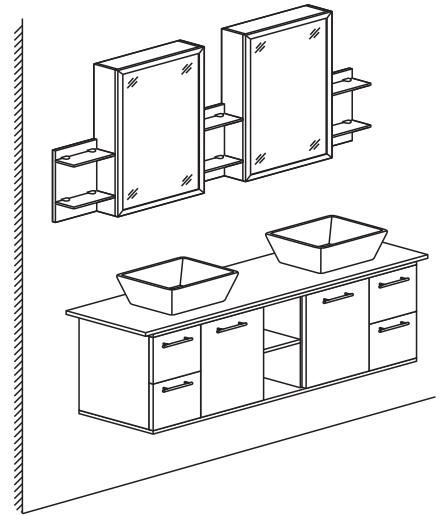


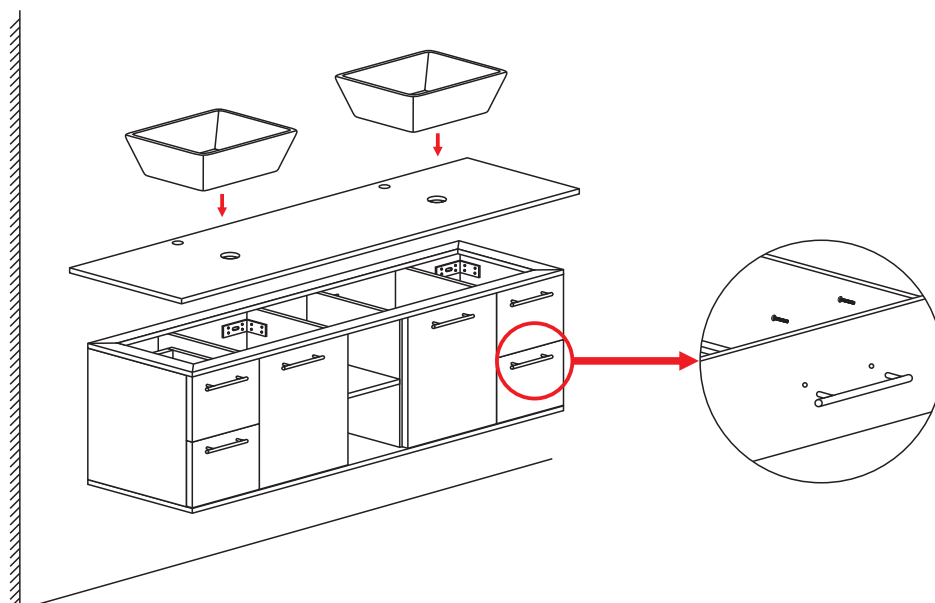
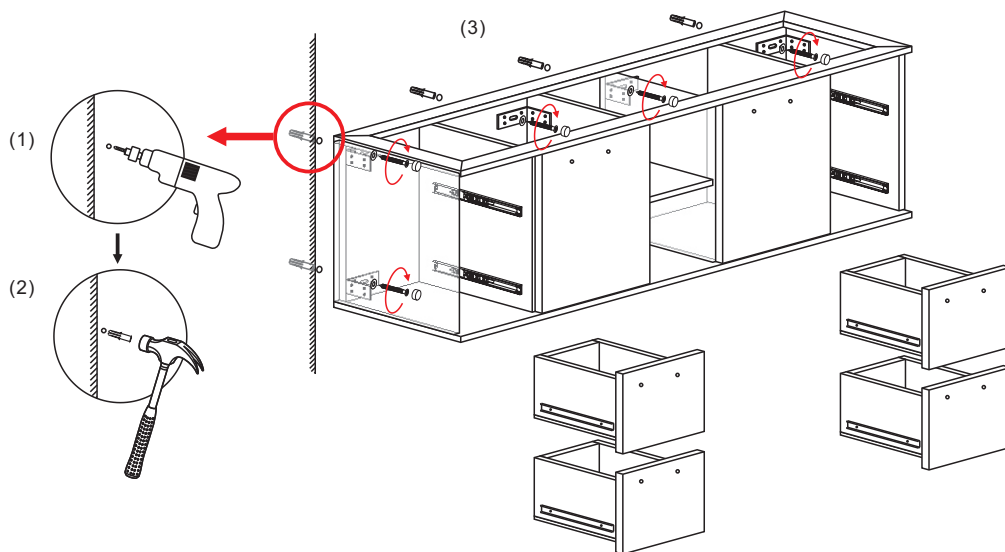
# WC-WHE007-SH-60” Installation Instructions

Before installing please put soft material like a blanket on the ground to avoid the scratching the cabinets or floor. During the installation please be careful with tools to avoid scratching the product.



## Cabinet Assembly

- 1) Mark the screw hole positions on the wall with pencil, refer to the drawing below. Drill the holes. Using stud bolts, drill through the cabinets into studs. Stud bolts are not included.
- 2) Carefully place the counter on the cabinet and then install sinks.
- 3) Unscrew handles inside and reattached outside.



# Mirror Cabinet Assembly

1) Mark the screw hole position on the wall with pencil and drill pilot holes and screw in expanding screws.

2) Attach the brackets to the wall using the screws provided.

3-1) Screw the brackets into the holes on the shelf backings.

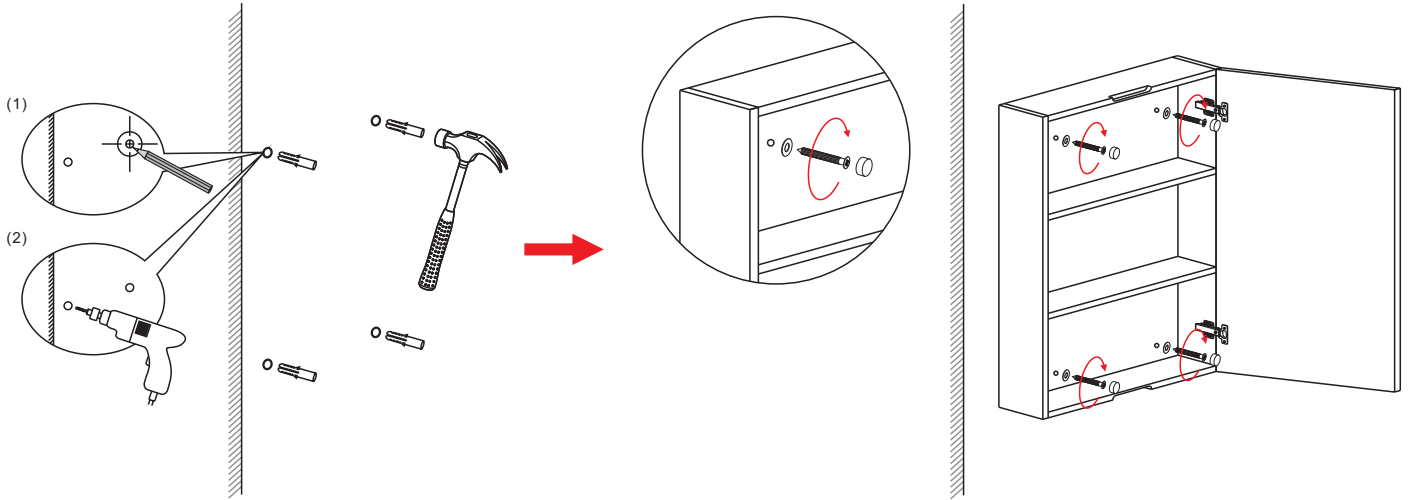
3-2) Put the glass shelves into the brackets.

3-3) Tighten the screws on the shelf backings.

3-4) Wipe clean.

1

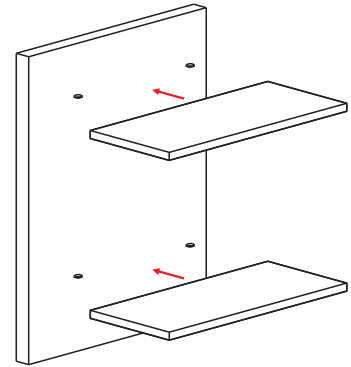
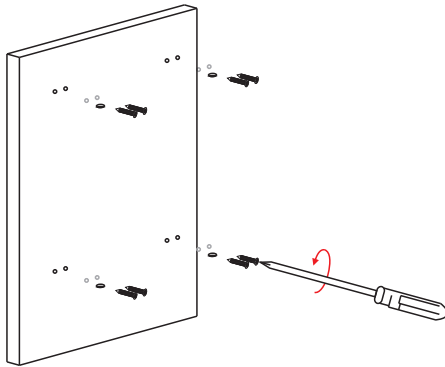
2



3

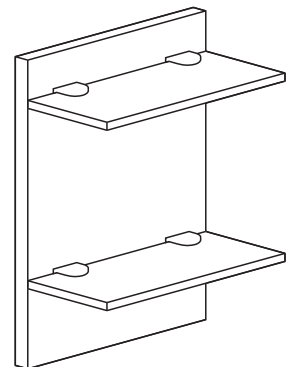
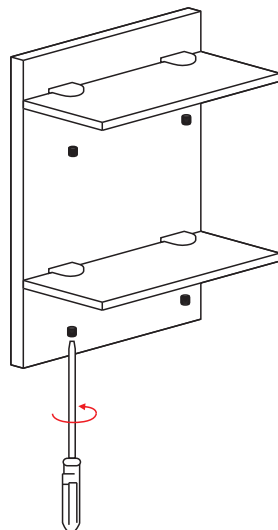
3-1)

3-2)



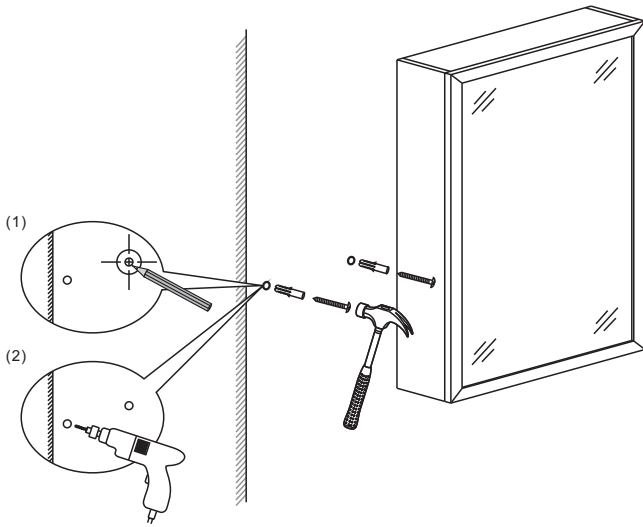
3-3)

3-4)

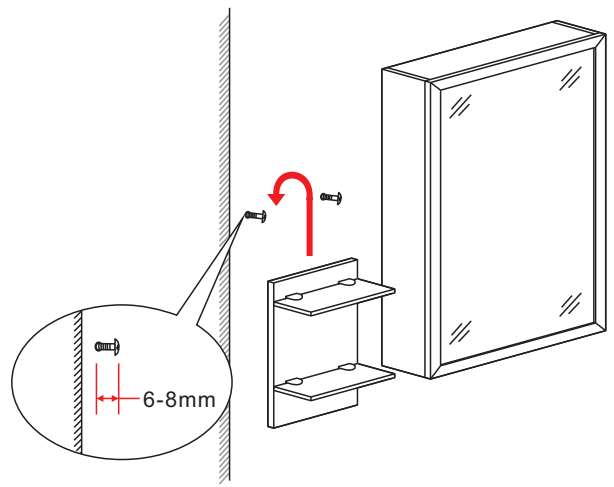


- 4) Mark the screw hole positions on the wall with pencil refer to the drawing below. Drill the holes and tap in expanding screws
- 5) Hang the shelf to the screw stem refers to the
- 6)

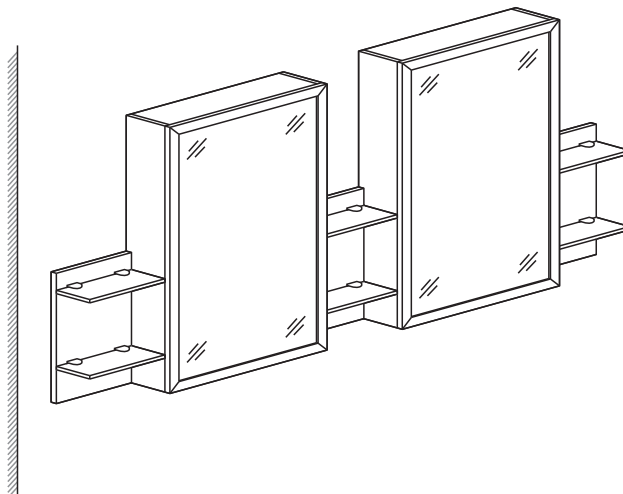
4



5



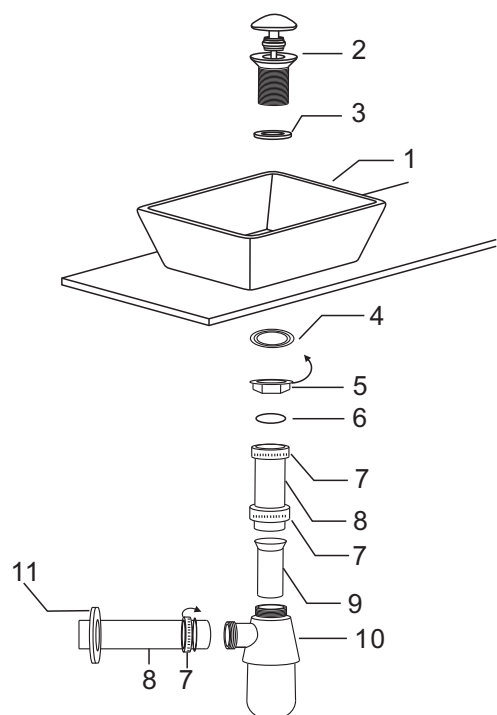
6



## Drain Assembly:

- ◆ Connect trap to drain assembly as shown below, hand tighten and check for alignment. It may be necessary to cut off part of the vertical or the horizontal leg in order to make everything fit properly with existing plumbing.
- ◆ Install P-trap ensuring all the gaskets are in place and tighten.

- 1 Basin
- 2 Pop-up
- 3 Top gasket
- 4 Bottom lip gasket
- 5 Gasket
- 6 Washer
- 7 Bottom gasket
- 8 Drain nut
- 9 Rubber pipe
- 10 Tail piece
- 11 Drain lid



Drawings are not to scale