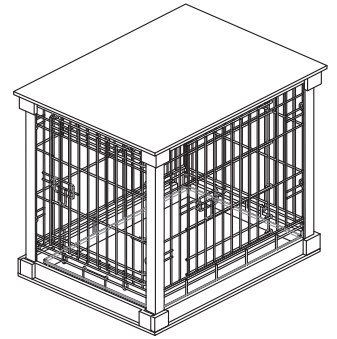


# Merry Products

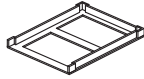
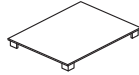
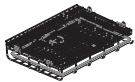



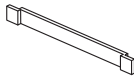

## Cage with Cover

MPSC 001/MPMC 001/MPLC 001



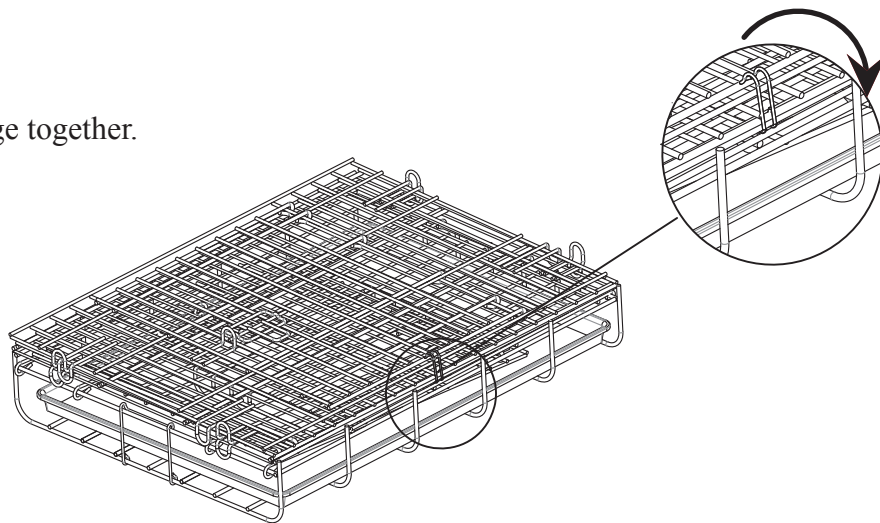
Please check contents before assembly. If any items are missing or damaged, Do not take unit back to store. Call 775-629-5029 for customer service and we will save you the time by correcting the problems directly.

### COMPONENTS

NO.	DESCRIPTION		QTY
A	Cover Bottom		1
B	Cover Top		1
C	Cage		1
D	Front Left Leg		1
E	Front Right Leg		1
F	Back Leg		2
G	Front Cover		1
H	Cage Separator		1

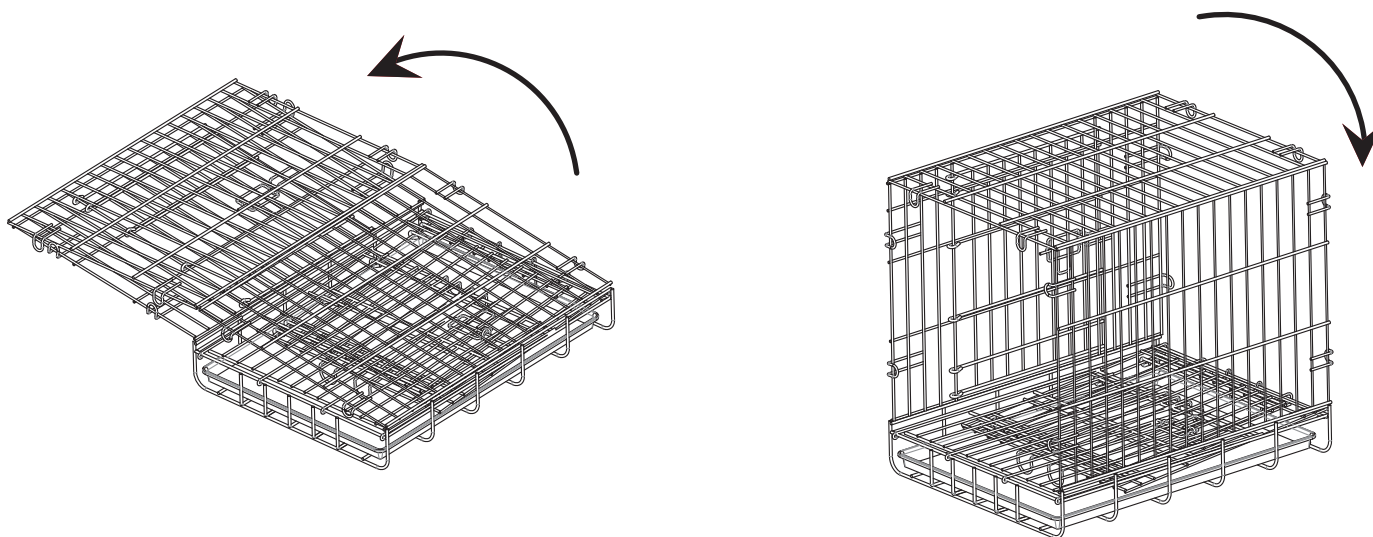
## STEP 1

Unlatch hook used to lock folded cage together.



## STEP 2

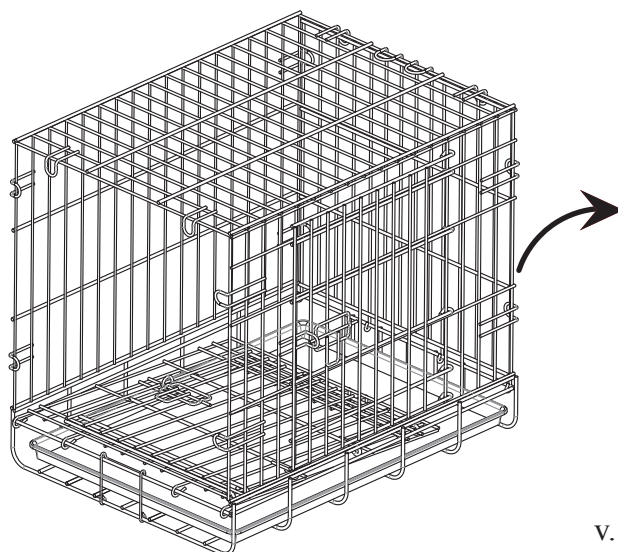
Unfold cage as shown below leaving front and back panels folded down



## STEP 3

Unfold back panel and firmly push into place.

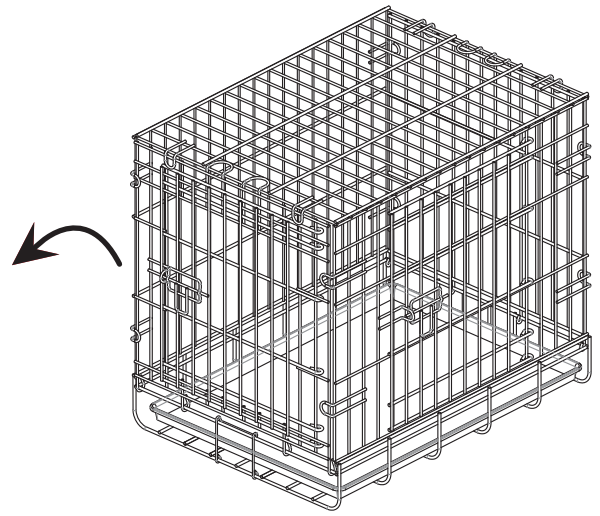
\*Note. Ensure the back panel has locked underneath hooks on top and sides of cage.



#### STEP 4

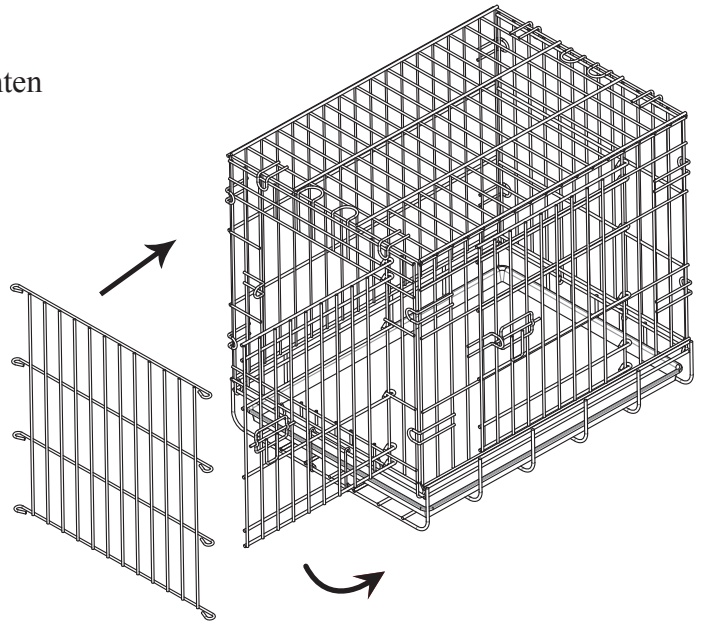
Unfold front panel and firmly pull into place.

\*Note. Ensure the front panel has locked underneath hooks on top and sides of cage.



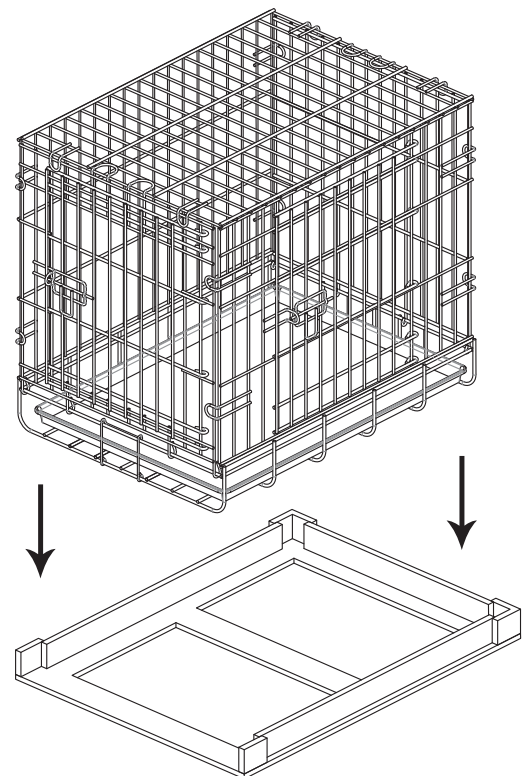
#### STEP 5

If using the separator, insert it on an angle then straighten at desired position and lock into place by hooking onto the sides.



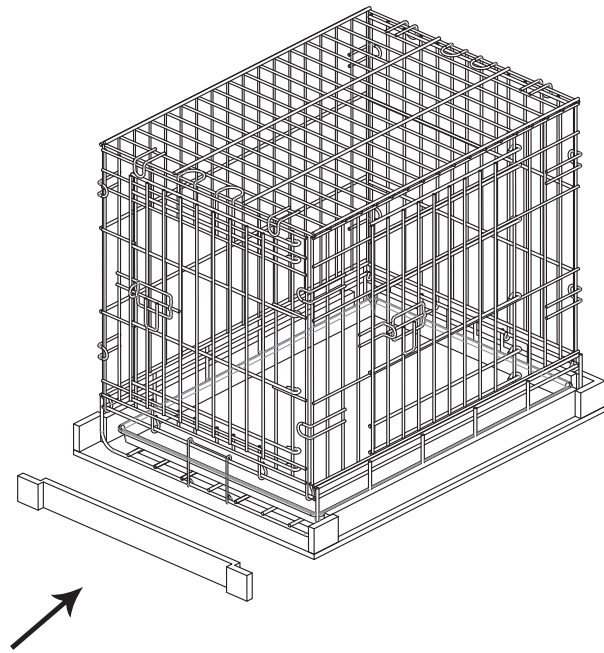
#### STEP 6

Lift cage and carefully place on Cover Bottom (A)



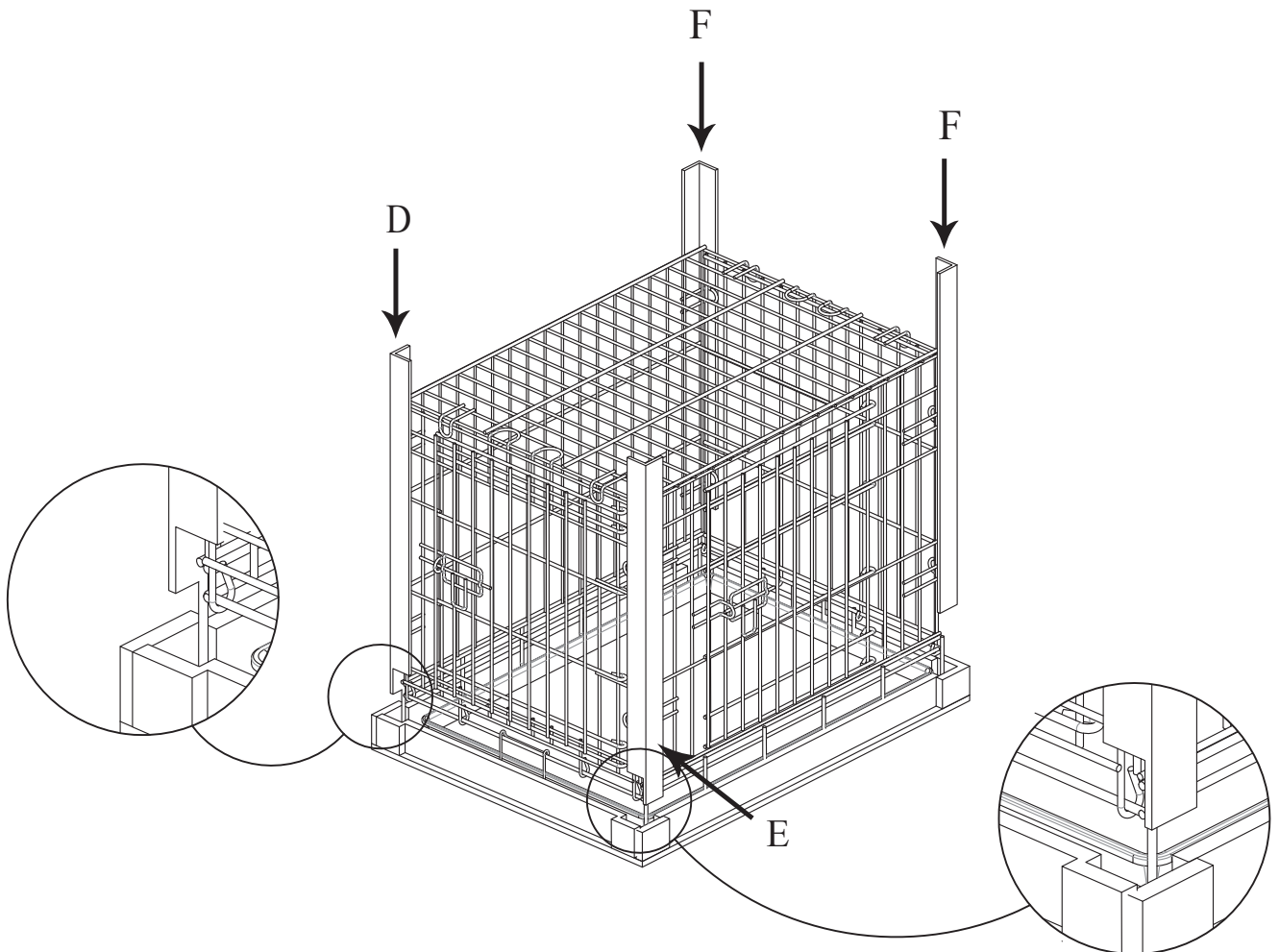
STEP 7

Place Front Cover (G) on Cover Bottom (A) and line up magnets.



STEP 8

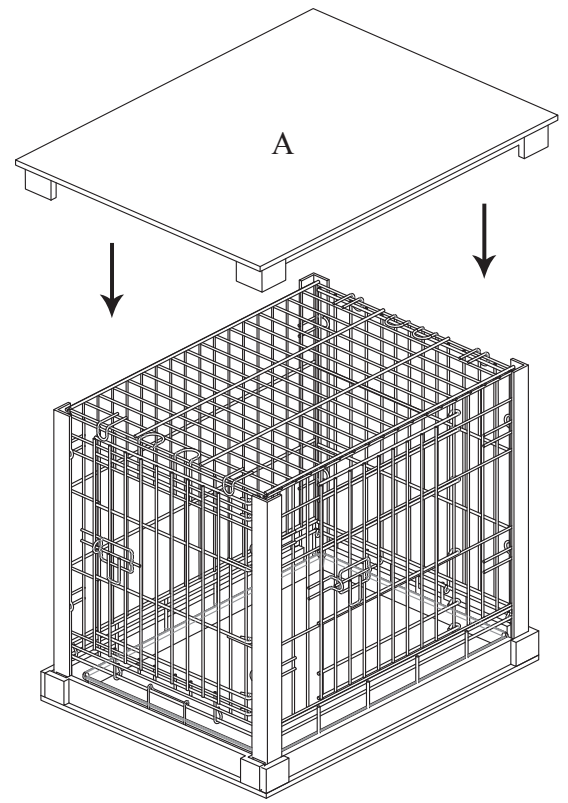
Insert pieces D (x1), E (x1) and F (x2) as shown below.





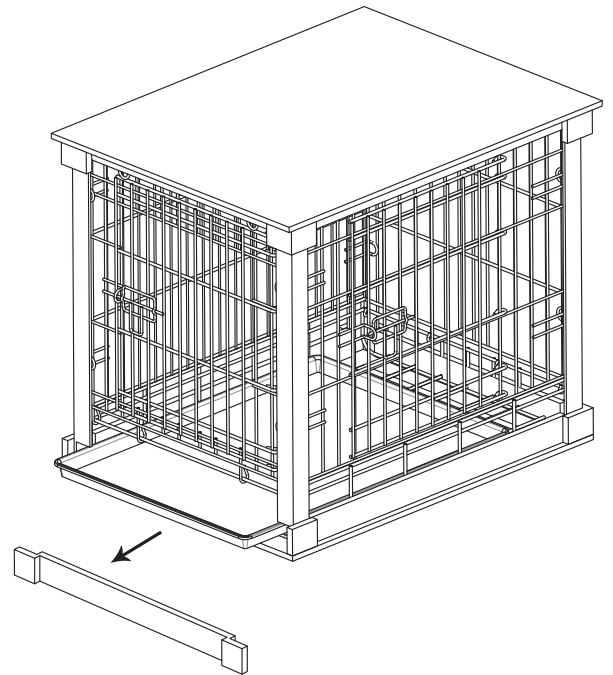
## STEP 9

Guide Cover Top (A) onto unit aligning Front and Back Legs.



## STEP 10

To quickly and easily remove tray, remove Front Cover (G) and slide tray out.



Thank you for choosing MERRY PRODUCTS™. With a little care and maintenance, MERRY PRODUCTS™ Cage with Cover will provide your pet with comfort and enjoyment for many years to come!

- To clean panels, use clean water on a damp cloth.
- When assembling MERRY PRODUCTS™ PET HOUSES AND PET BEDS, please handle all panels and/or hardware with care to avoid any possibilities of damages and/or injuries.

Merry Products, Corp.