


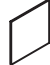
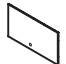










## MPCB006 CAT WASHROOM BENCH

Please check contents before assembly. If any items are missing or damaged, Do not take unit back to store. Call 775-629-5029 for customer service and we will save you the time by correcting the problems directly.

### COMPONENTS

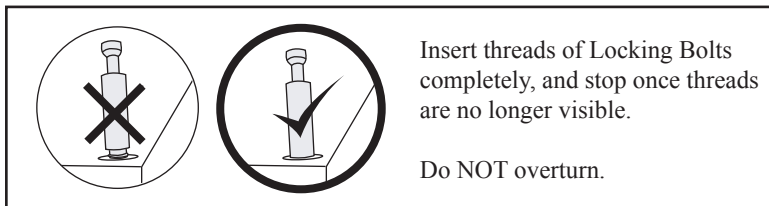
NO.	DESCRIPTION		QTY	NO.	DESCRIPTION		QTY
A1	Top Panel		1	C2	Side Panel		1
A2	Bottom Board		1	C3	Divider		1
B	Back Panel		1	D1	Left Door		1
C1	Side Panel		1	D2	Right Door		1

### HARDWARE

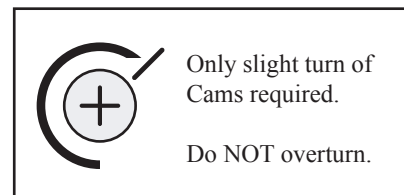
i	Cam		18	L	Cover		18
J	Locking Bolt		18	M	Screw		8
K	Wooden Dowel		16				

**NOTE:**

- \* Read all instructions before starting
- \* Assemble on rug or cardboard to prevent scratches to the floor and product.
- \* To ensure proper assembly we have included the following guides:



Reference this guide when assembling all Locking Bolts .

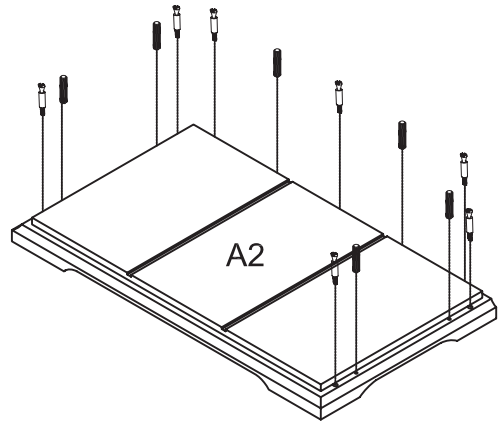


Reference this guide when assembling all Cam Locks

*STEP 1*



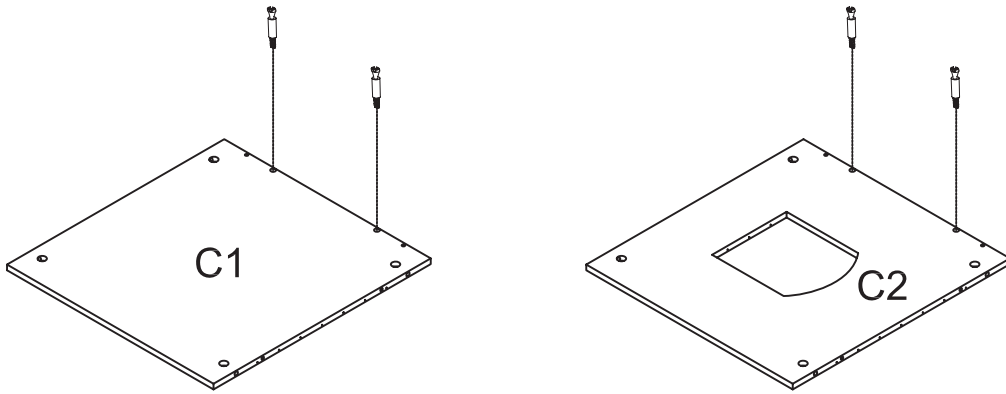
Insert 7 Locking bolt (J) and 6 Wooden Dowels (K) into Bottom Board (A2)




**K** - Wooden Dowel (x6) 

*STEP 2*

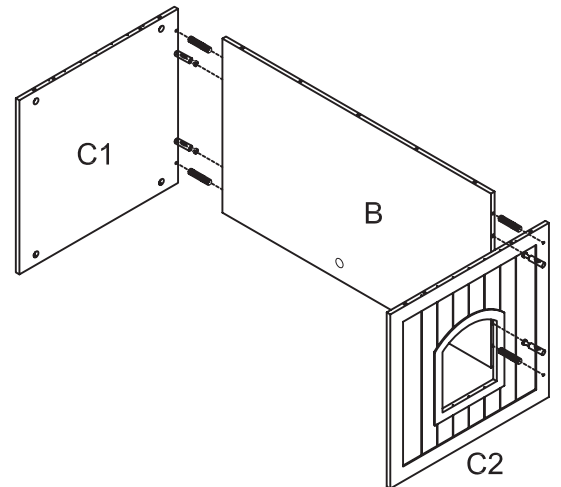
Insert 4 Locking Bolts (J) into side panels (C1, C2) as shown below. (2 on each panel)



**J** - Locking bolt (x4) 

*STEP 3*

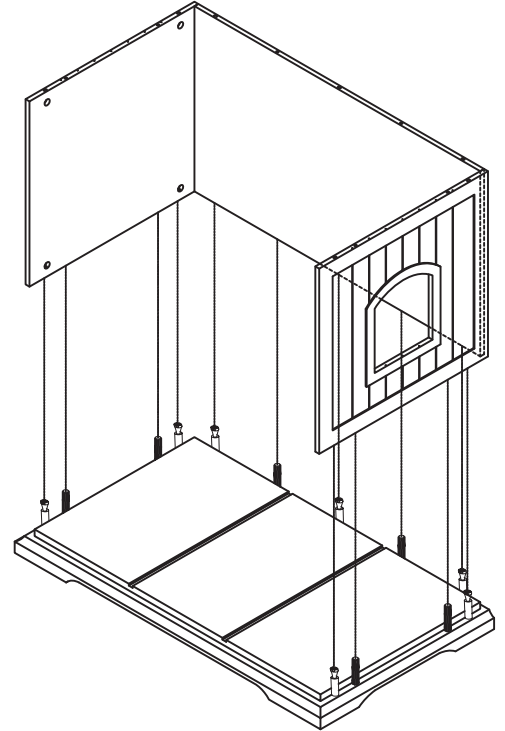
Insert 4 Wooden Dowels (K) to connect Back Panel (B) to Side Panels C1, C2.



**K** - Wooden Dowel (x4) 

## STEP 4

With the help of another adult, carefully lower Back Panel B and sides C1 and C2 onto Bottom Board A2.



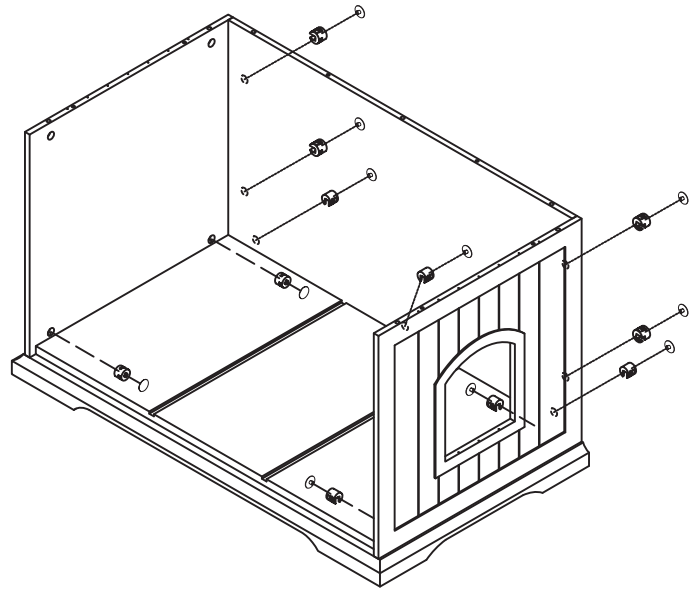
## STEP 5

Insert and tighten 11 Cams (I) being careful not to overturn. Apply 11 Covers (L) to installed Cams

I - Cam (x11)



L - Cover (x11)



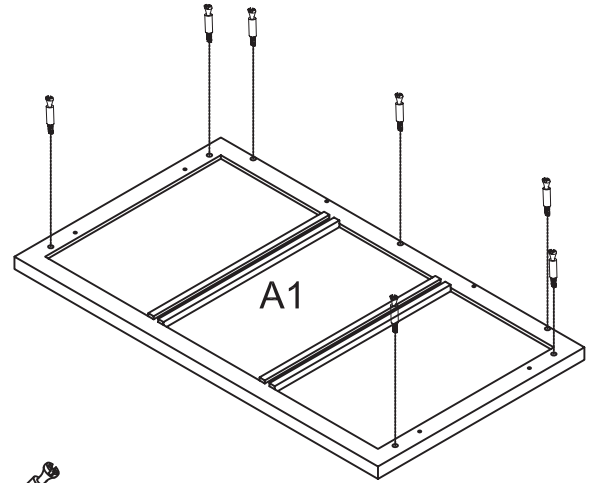
Only slight turn of  
Cams required.

Do NOT overturn.

STEP 6



Insert 7 Locking Bolts (J) into Top Panel A1



J - Locking Bolt (x7)



STEP 7

Insert 6 Wooden Dowels (K) into Top Panel (A1) and carefully lower onto assembled bench base.

Insert 7 Cams (I) and tighten carefully.

Place Covers (L) over installed Cams

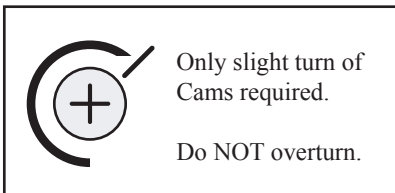
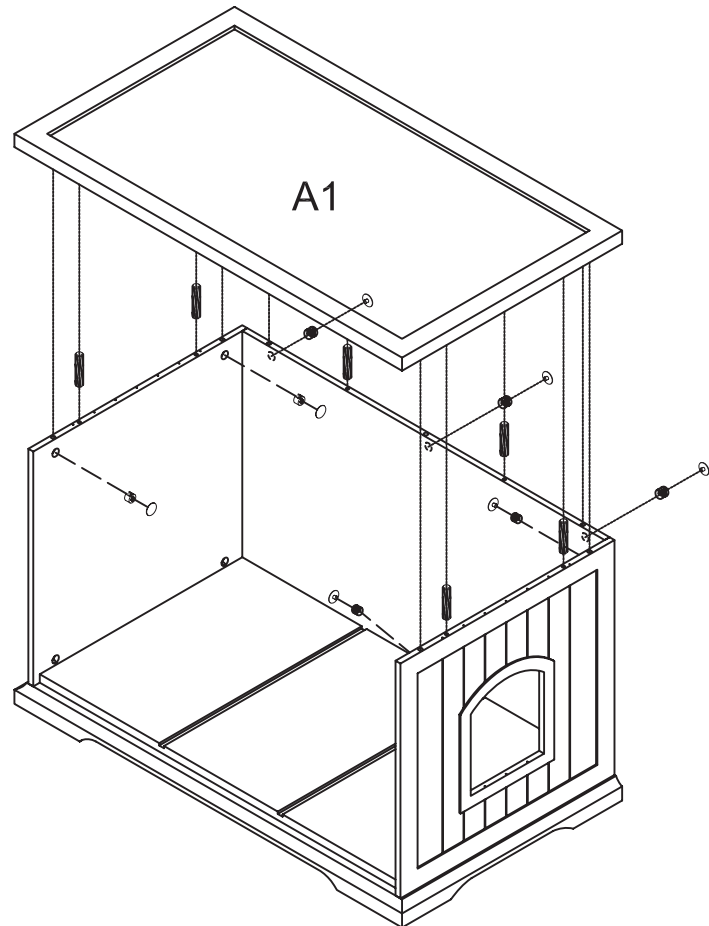
K - Wooden Dowel (x 6)



I - Cam (x7)

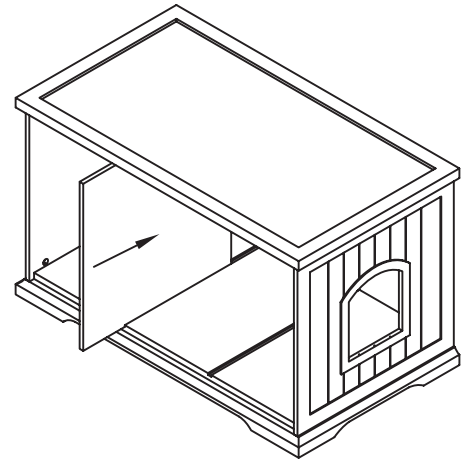


L - Cover (x7)



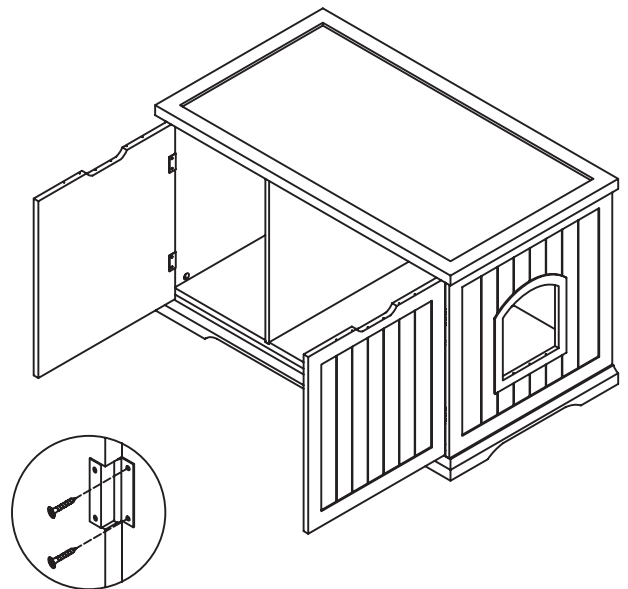
## STEP 8

Slide Divider (C3) into desired location.



## STEP 9

Attach Left Door (D1) and Right Door (D2) using 8 Screws (M) onto the pre drilled holes.



## CARE INSTRUCTIONS

Thank you for choosing MERRY PRODUCTS™ PET HOUSES AND PET BEDS. With little care and maintenance, MERRY PRODUCTS™ PET HOUSES AND PET BEDS will provide your pet with comfort and enjoyment for many years to come!

- To clean panels, use clean water on a damp cloth.
- When assembling MERRY PRODUCTS™ PET HOUSES AND PET BEDS, please handle all panels and/or hardware with care to avoid any possibilities of damages and/or injuries.

Merry Products, Corp.