



Introduce your little character to our little characters







Winnie the Pooh Deluxe Cot Bed

Instruction Manual

IMPORTANT KEEP FOR FUTURE REFERENCE
PLEASE READ THESE INSTRUCTIONS CAREFULLY
BEFORE USING THIS PRODUCT

Thank you for choosing Obaby. This cot bed conforms to BSEN 716-1 & 2:2008 and BS 8509:2000 + A1:2011. To ensure that your cot bed is used in accordance with these instructions, please read them fully.

Your child's safety may be affected if you do not follow these instructions.

-  **WARNING:** A child's safety is your responsibility.
-  **WARNING:** Do not use more than one mattress in this cot bed.
-  **WARNING:** Do not use the child's bed near heat sources, windows and other furniture.
-  **WARNING:** Be aware of the risk of open fire and other sources of heat, such as electric bar fires, gas fires, etc. in the near vicinity of the cot bed.
-  **WARNING:** Do not use this child's bed if any part is broken, torn or missing. Use only spare parts approved by the manufacturer.
-  **WARNING:** Do not leave anything in the cot bed or place the cot bed close to another product, which could provide a foothold or present a danger of suffocation or strangulation, e.g. strings, blind/curtain cords etc.

We recommend you use the Obaby Mattress Size 140 x 69cm for this cot bed.

The thickness of the mattress chosen should be such that the internal height (surface of the mattress to the upper edge of the cot frame) is at least 500mm when the base is set in the lowest position and a minimum of 200mm when the cot base is set in the highest position.

The mattress should be no more than 30mm shorter or narrower than the internal length or width of the cot bed.

One end of the cot bed has a mark indicating the height of the mattress. The thickness of the mattress used with this cot must not reduce the internal depth (from mattress surface to top of side) to less than 500mm with the base in the lowest position, or 200mm with the base in the highest position.

To prevent injury from falls:

As soon as the child is able to climb out of the cot then it should be changed into the bed mode for use up until 4 years of age.

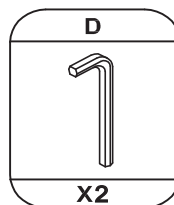
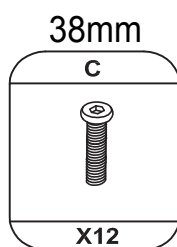
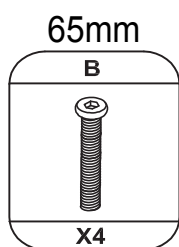
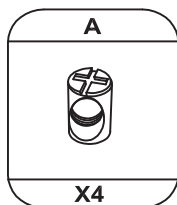
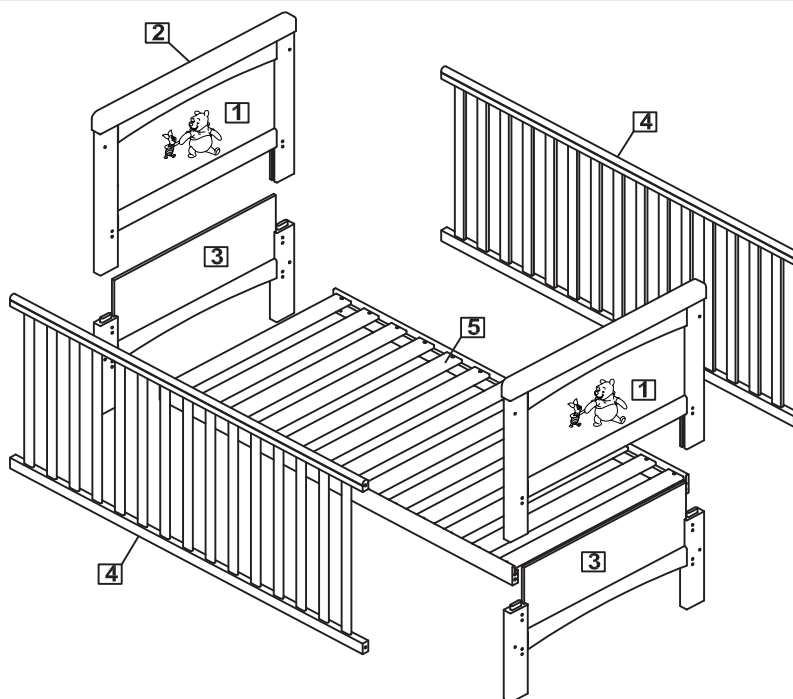
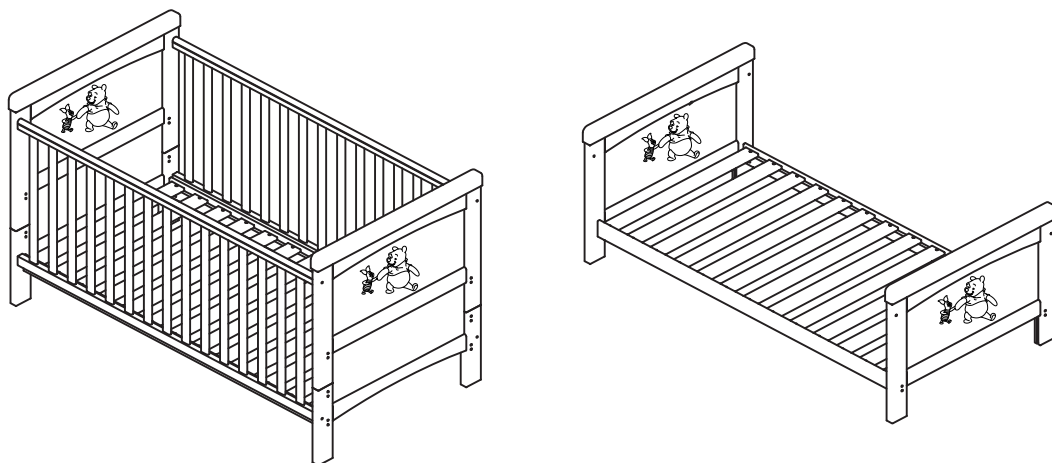
Children are likely to play, bounce, jump and climb on beds, therefore the child's bed should not be placed to other furniture or windows, and should be placed either tight to the wall or have a gap of 300mm between the wall and the side of the bed.

- All assembly fittings should be tightened properly and care should be taken to ensure that no screws are loose, as a child could trap parts of the body, or clothing (e.g. ribbons, drawstrings, necklaces) this could lead to strangulation.
- Please be aware that the lowest base position is the safest and the base should always be used in that position as soon as the baby is old enough to sit up.
- Regularly check that all fittings and components of the cot/bed are fully tightened and in working order.
- To prevent injury from falls the cot bed should not be used as soon as the child is able to climb out.
- This cot bed should be assembled by an adult. Please note that this is a heavy cot bed which will be more easily assembled with the help of an assistant.
- The cot bed is designed to be dismantled for storage or transportation.

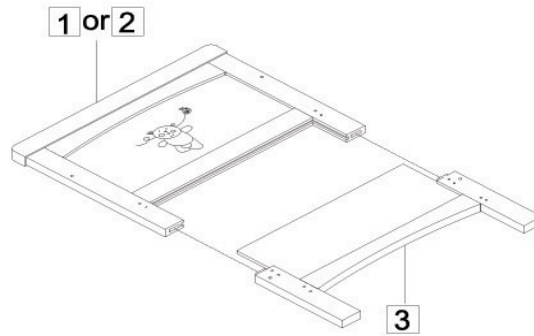
ROUTINE CARE & MAINTENANCE

- For cleaning, use only a mild detergent and warm water.
- DO NOT USE BLEACH.
- DO NOT USE any abrasive substances.
- From time to time, check your cot for loose screws, and worn parts. Replace or adjust the parts as needed.

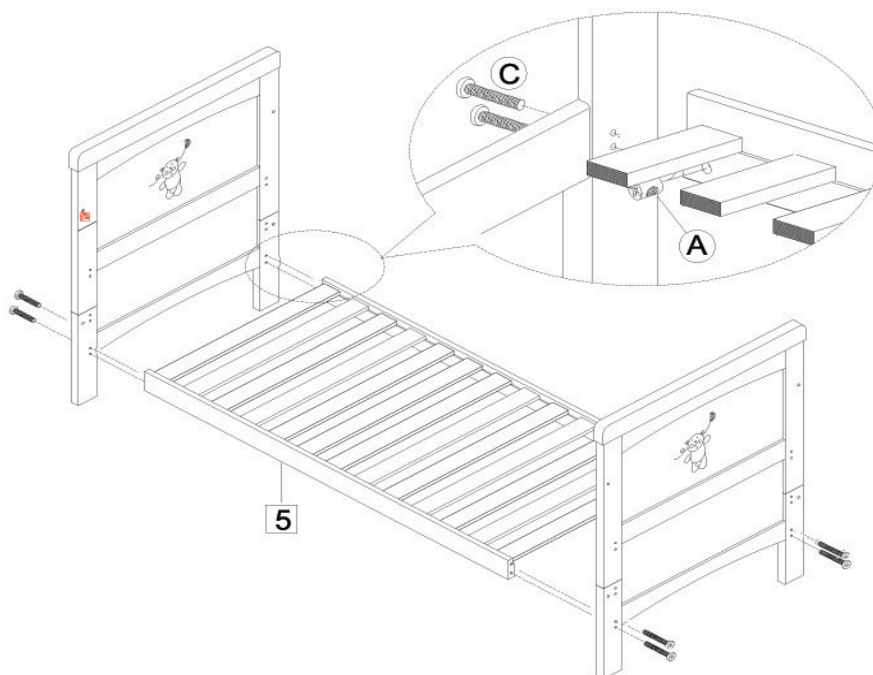
Due to constant updating and improvements, some components may occasionally differ slightly from the images shown in these instructions. We reserve the rights to change the specifications of any products without prior notice. If you need any assistance please contact your Obaby retailer from whom you purchased your product, who will take appropriate action.



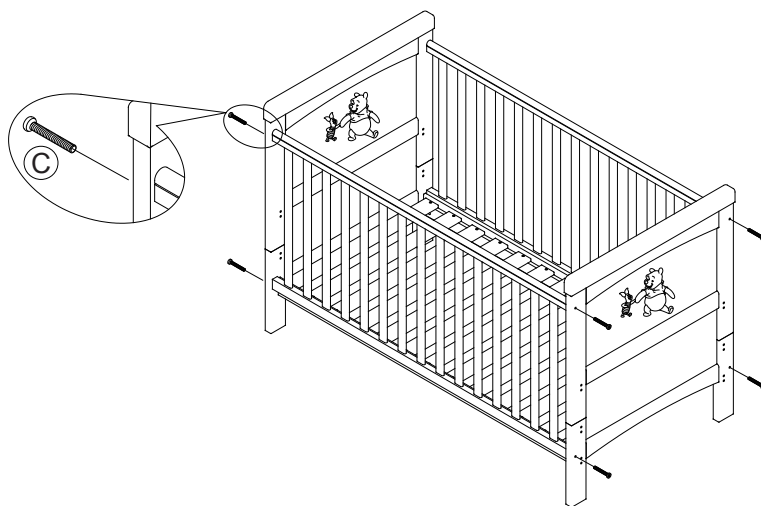
1.



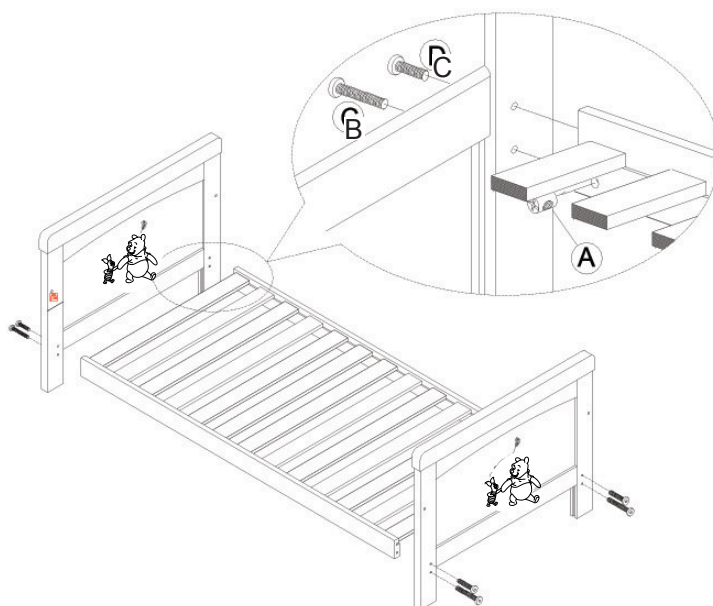
2. Do not fully tighten screws until the assembly is complete



3. Finally, tighten all screws with the Allen key provided.



4.



- All Obaby products have a 12 month guarantee from the invoice/receipt date.
- If you have any problems with your product before or after this date please see the retailer you purchased the product from.
- If you need any spare parts please contact the retailer you purchased the product from.

