



for your baby ☺



# Winnie the Pooh Double Wardrobe Instructions

sign up  
**OBABY**<sup>®</sup>  
www.**OBABY**.co.uk  
Create an account for **exclusive** offers, competitions and updates

**5 Year Extended Guarantee**  
**5** Year  
\*\*\*\*\*  
Simply register within 28 days!





**DESIGNED IN THE UK**

**IMPORTANT**  
KEEP FOR FUTURE REFERENCE  
PLEASE READ THESE INSTRUCTIONS  
CAREFULLY BEFORE USING THIS PRODUCT

Thank you for choosing Obaby. To ensure that your wardrobe is used in accordance with these instructions, please read them fully. This wardrobe conforms to **EN 14749:2005**.

Your child's safety may be affected if you do not follow these instructions.

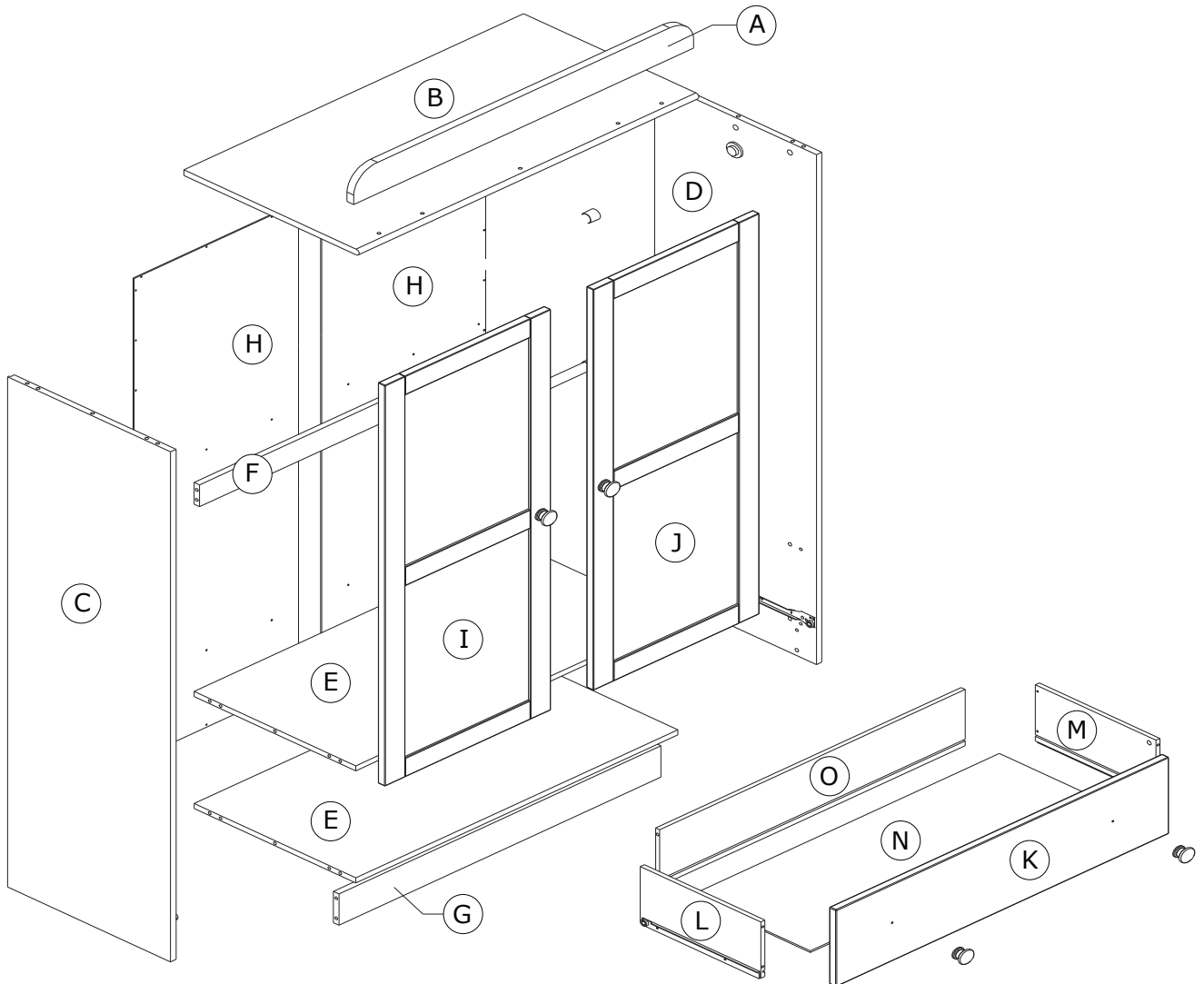
-  **WARNING:** Be aware of the risk of open fire and other sources of heat, such as electric bar fires, gas fires, etc. in the vicinity of the wardrobe.
-  **WARNING:** Do not use the wardrobe if any part is broken, or missing and use only spare parts approved by the manufacturer.

All assembly fittings should be tightened properly and care should be taken to ensure that no screws are loose, as a child could trap parts of the body, or clothing (e.g. ribbons, drawstrings, necklaces) this could lead to strangulation. Regularly check that all fittings and components of the wardrobe are fully tightened and in working order. Wood is a natural material, the colour will darken with age.

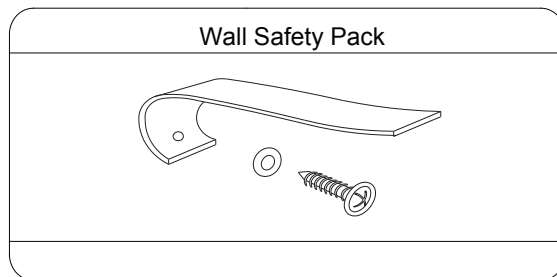
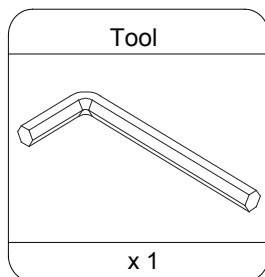
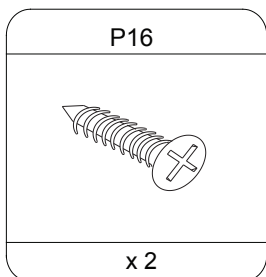
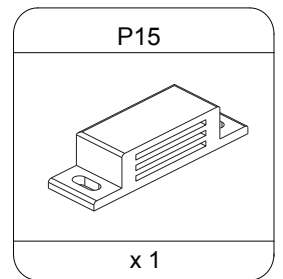
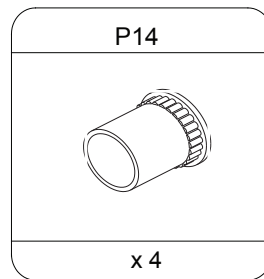
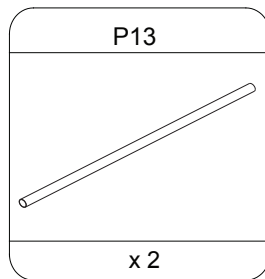
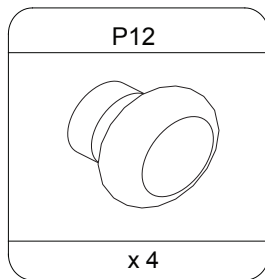
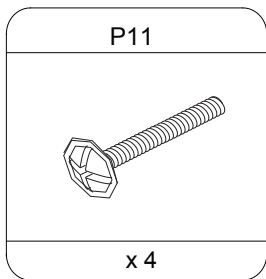
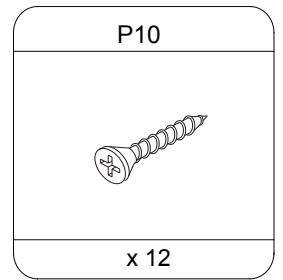
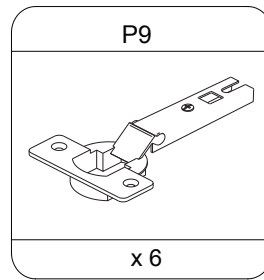
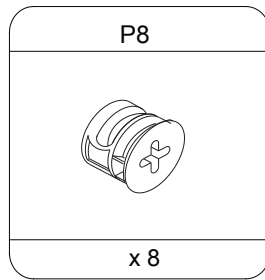
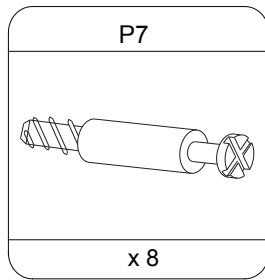
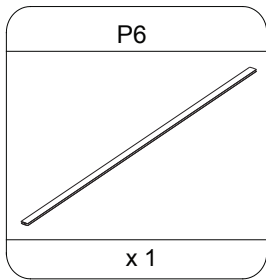
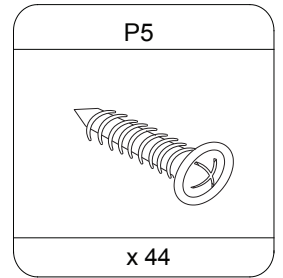
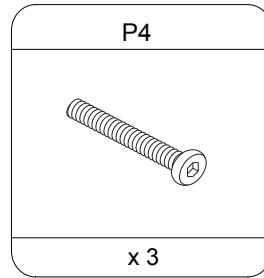
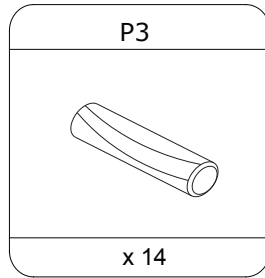
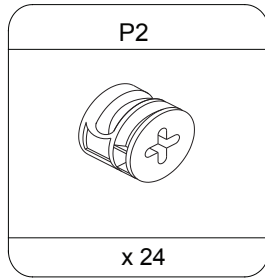
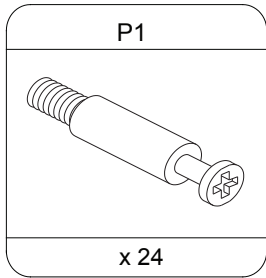
#### ROUTINE CARE & MAINTENANCE

- For cleaning, use only a mild detergent and warm water.
- DO NOT USE BLEACH.
- DO NOT USE any abrasive substances.
- Take care when handling or moving furniture, careless handling can damage wooden furniture.

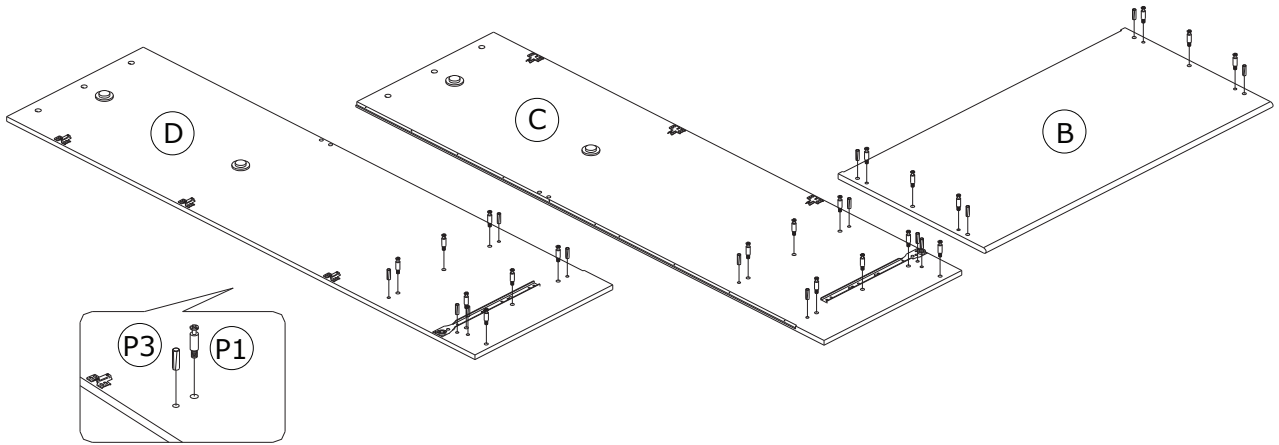
Due to constant updating and improvements, some components may occasionally differ slightly from the images shown in these instructions. We reserve the rights to change the specifications of any products without prior notice. If you need any assistance please contact your Obaby retailer from whom you purchased your product, who will take appropriate action.



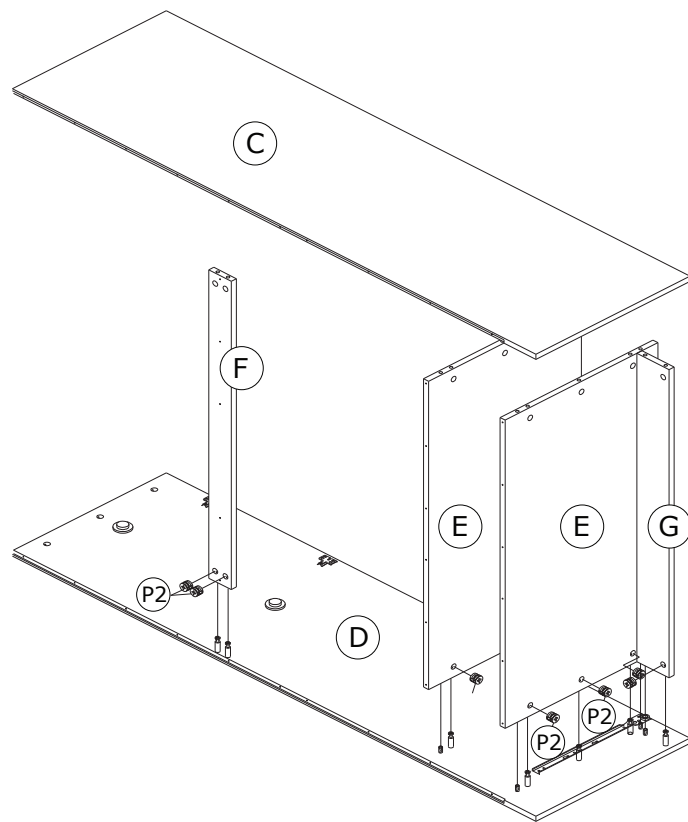
- Part A = x 1
- Part B = x 1
- Part C = x 1
- Part D = x 1
- Part E = x 2
- Part F = x 1
- Part G = x 1
- Part H = x 2
- Part I = x 1
- Part J = x 1
- Part K = x 1
- Part L = x 1
- Part M = x 1
- Part N = x 1
- Part O = x 1



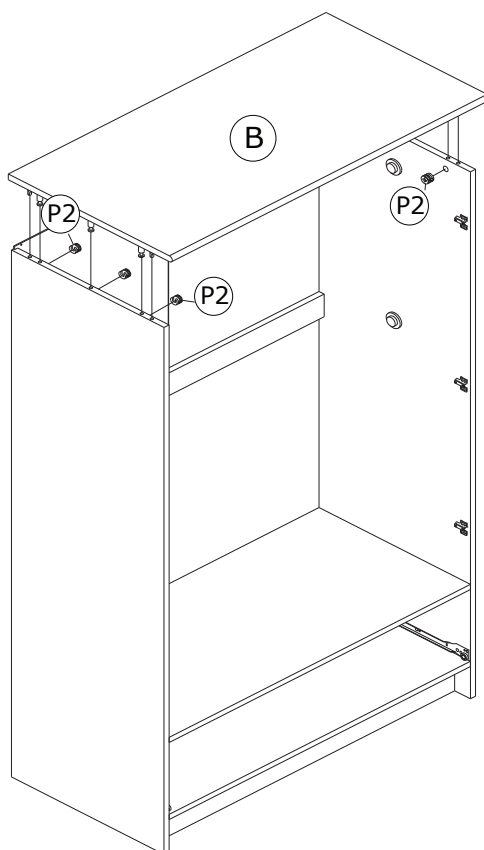
Step 1



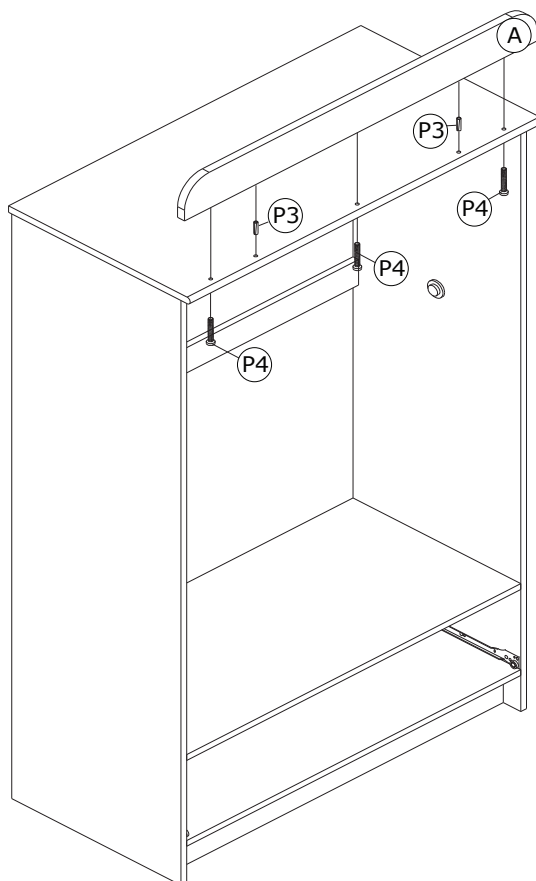
Step 2



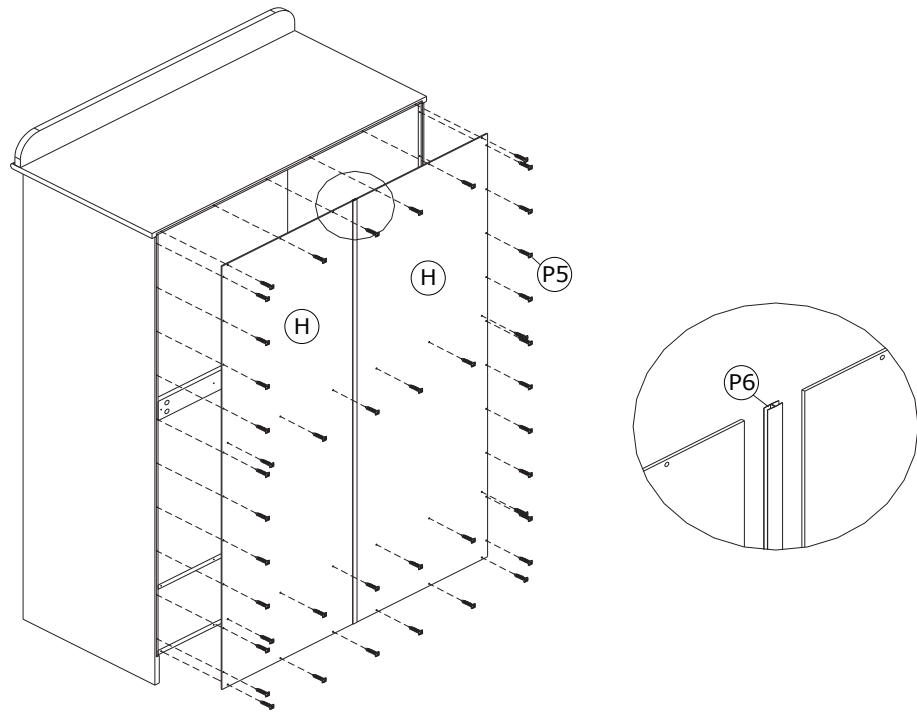
## Step 3



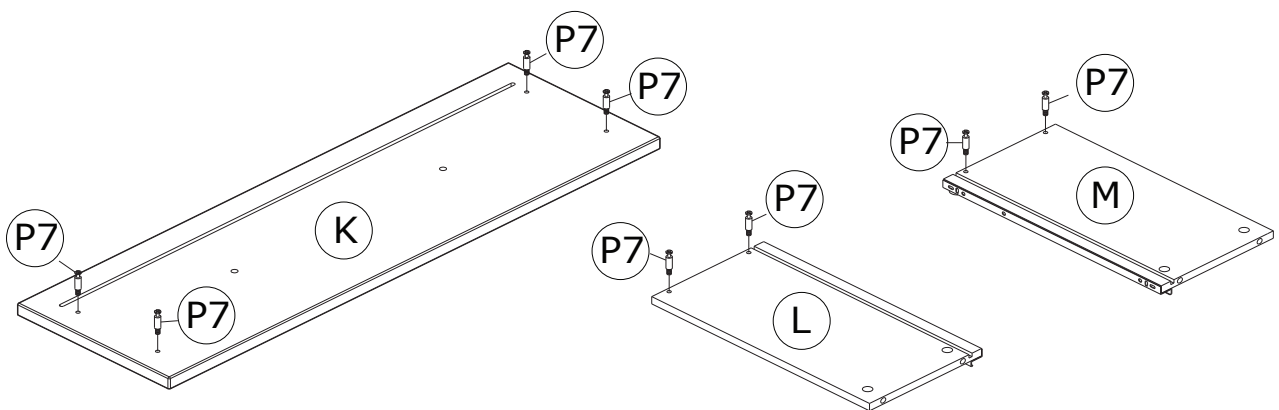
## Step 4



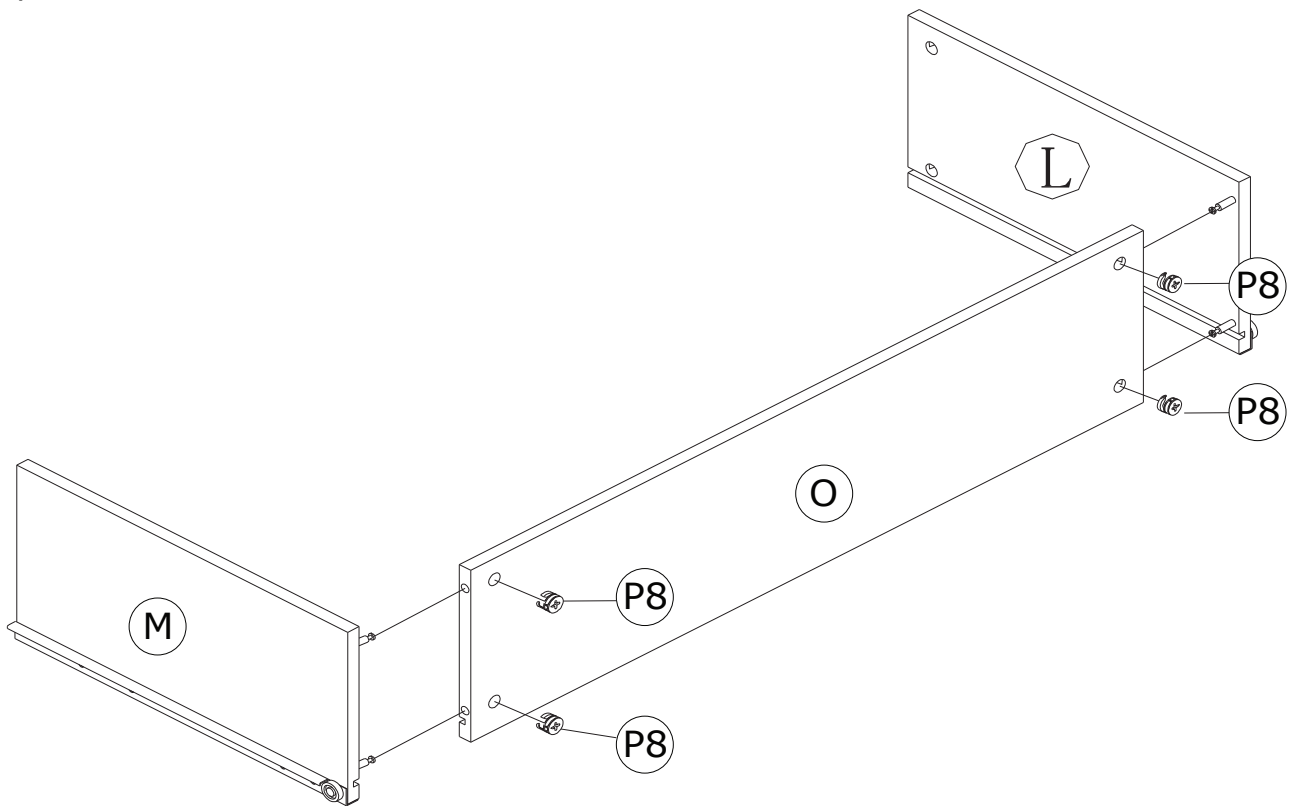
Step 5



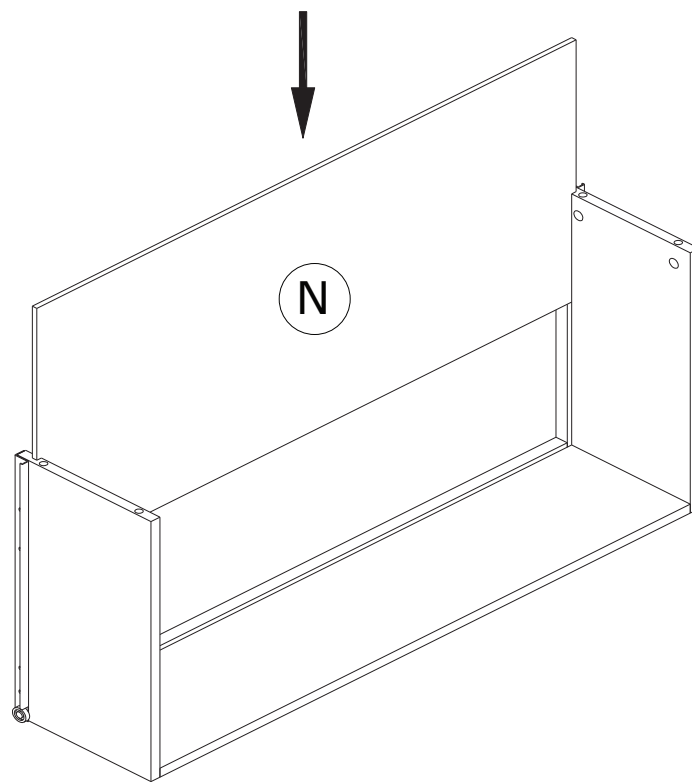
Step 6



## Step 7

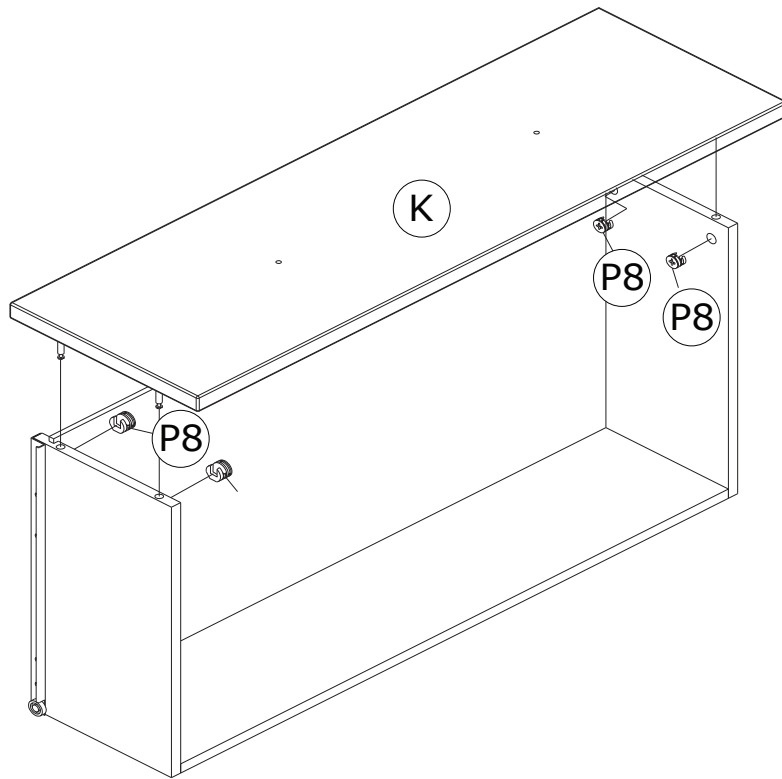


## Step 8

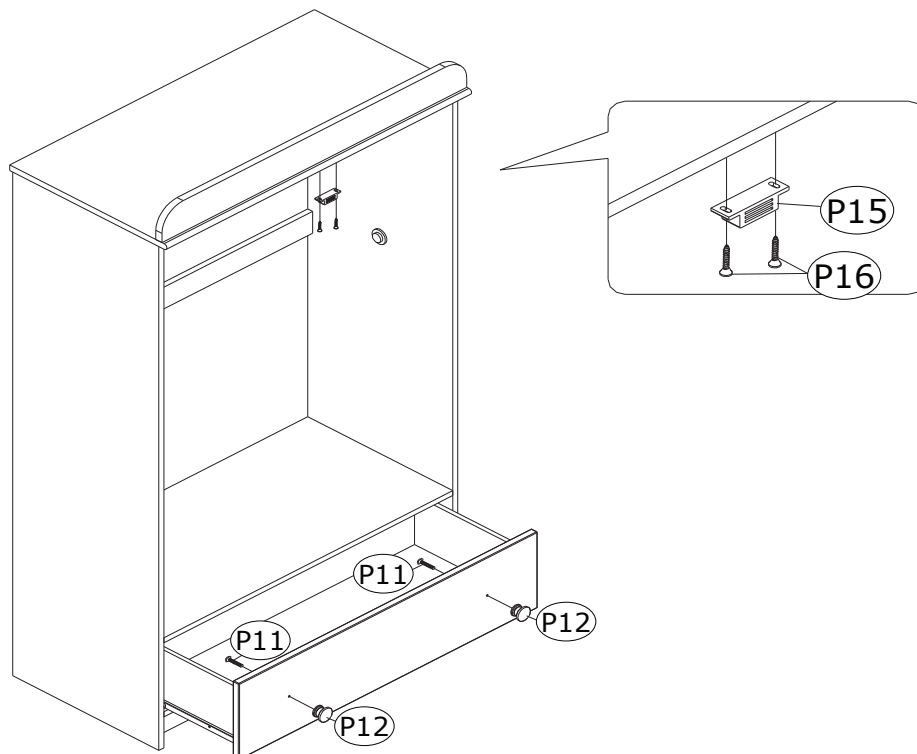




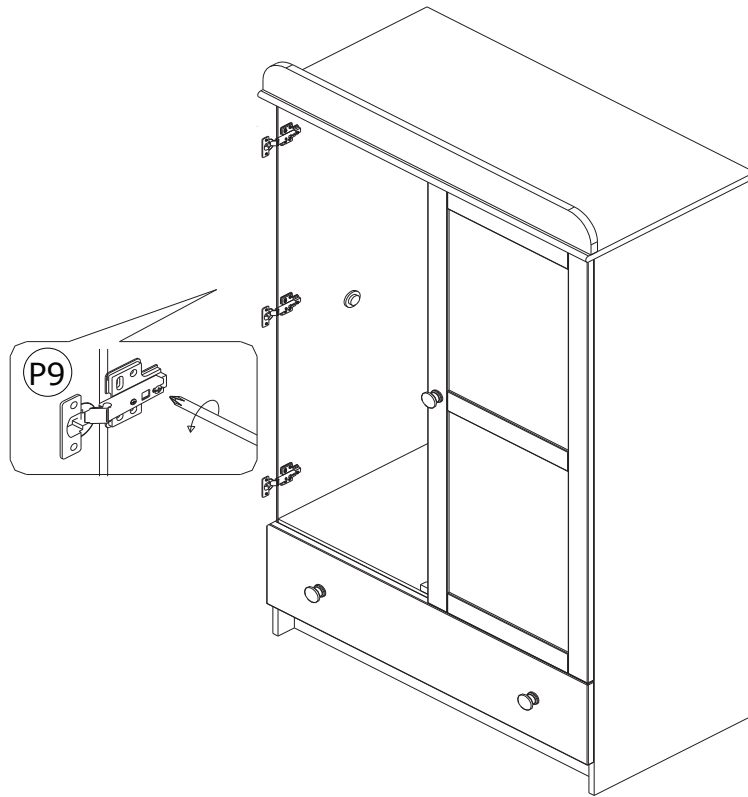
Step 9



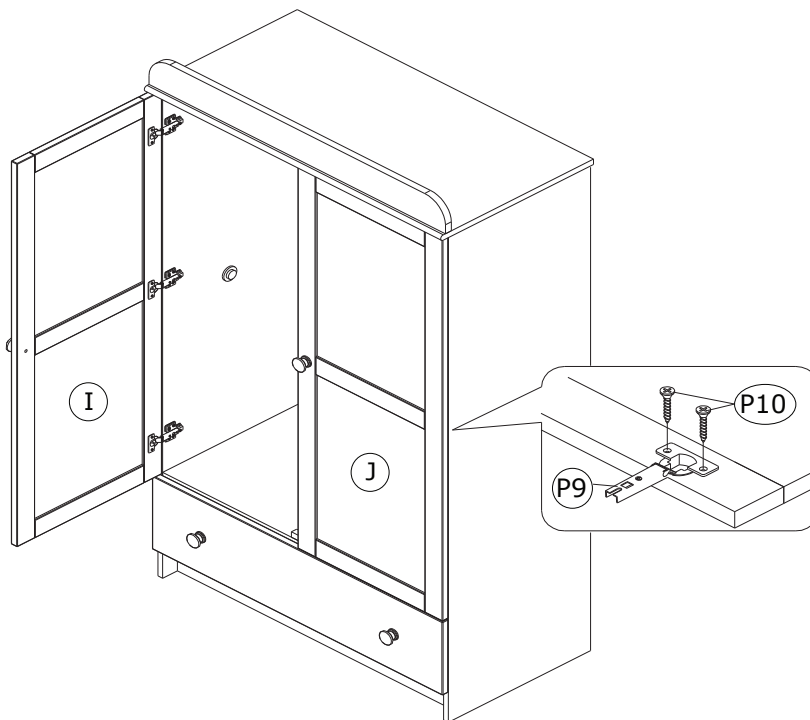
Step 10



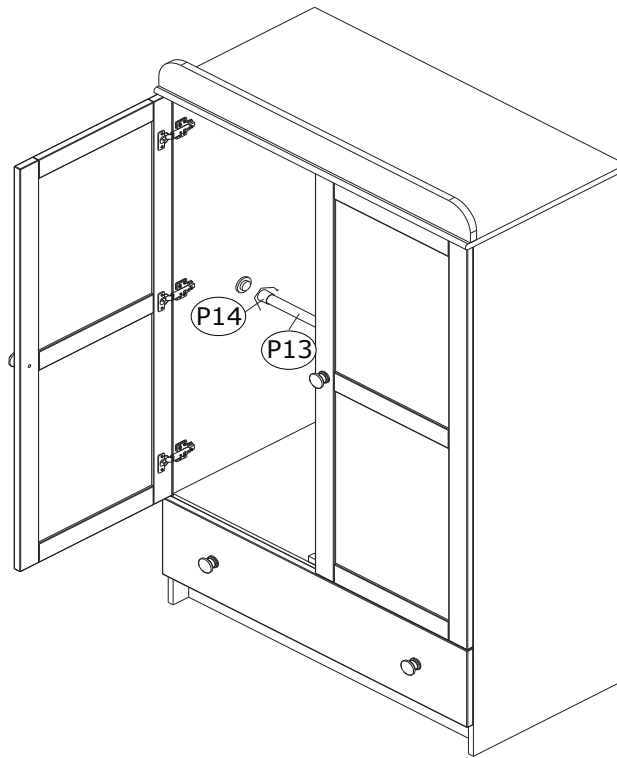
## Step 11



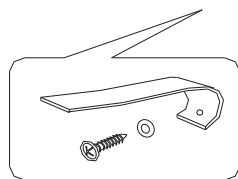
## Step 12



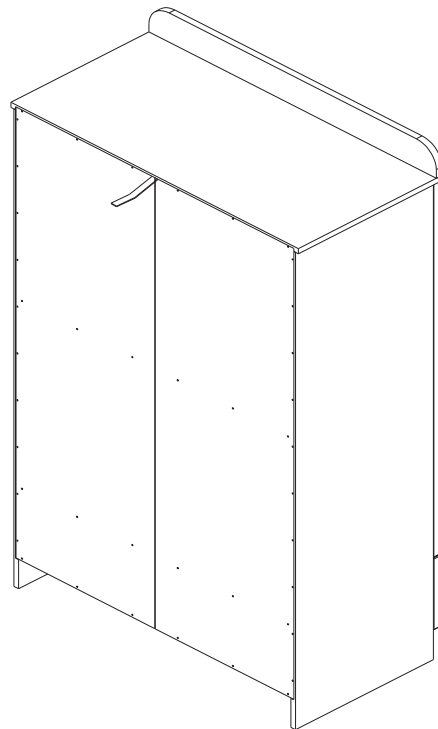
Step 13



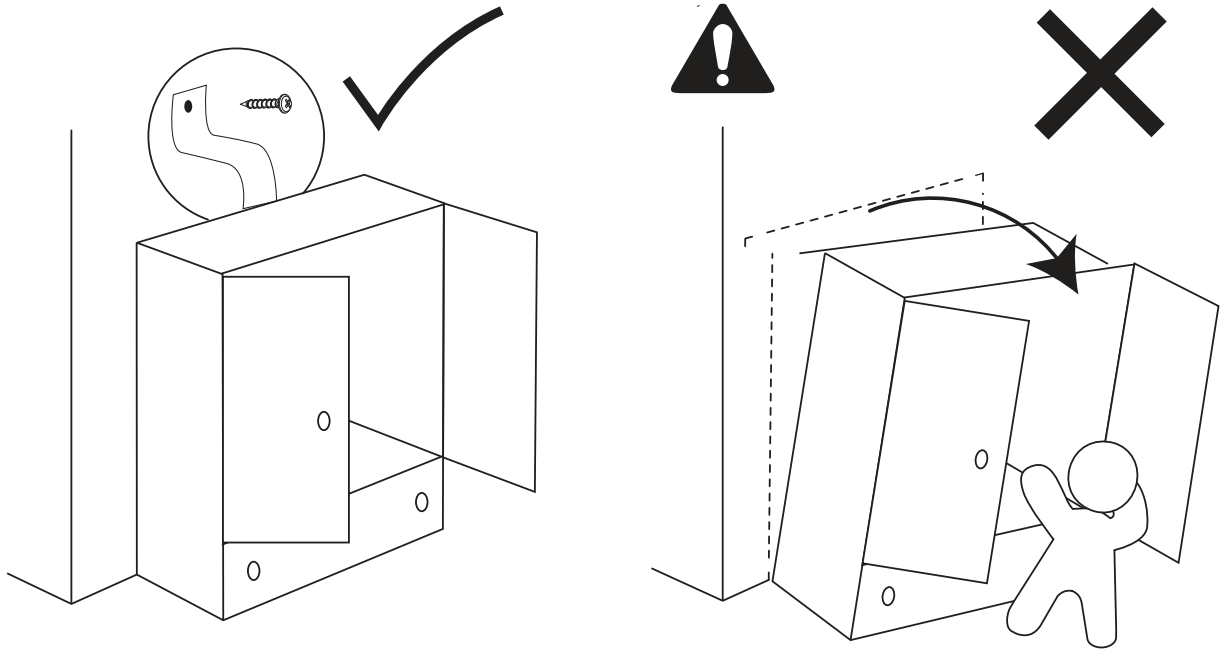
Step 13



Wall Safety Pack



## Step 14



To prevent tipping, use wall safety pack to attach back of wardrobe to the wall.

#obabyUK

