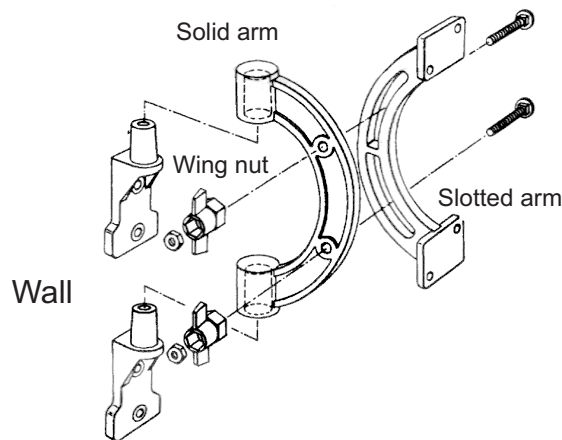


## Assembly and Mounting Instructions for AM10/B



### Parts List:

- 4 wall hinges
- 2 slotted arms
- 2 solid arms
- 4 bolts
- 4 wing nuts
- 8 self tapping screws  $\frac{3}{4}$ "
- 8 wood Screws  $1 \frac{1}{2}$ "

### Mounting Instructions:

- 1.) Push wall hinges firmly into the holes in the solid arm. Holding the wall hinges against the wall where a stud is located..mark the wall using the 2 wall hinges as a template.
- 2.) It is recommend a small pilot hole be drilled for ease of screwing in the wall hinges. If the location of bracket doesn't have a stud behind it...Then it will be essential to obtain drywall anchors (selection based on the weight of the speaker you will be mounting) which can be obtained at your local hardware store.
- 3.) Mount the slotted arm on the rear of the speaker using the  $\frac{3}{4}$ " screws.
- 4.) Assembly the slotted arm to the solid arm using the 25mm bolts and wing nuts.
- 5.) Take speaker and align the solid arm with the wall hinge and press down. Now adjust the tilt and swivel to the desired location.

Pinpoint Mounts and its distributors and dealers are not responsible for damage or injury caused by improper installation. If you are uncertain about installing this bracket contact a professional installer. If you any questions you can call technical support at 865-671-2020 9:30 AM to 4:30 PM EST Monday through Friday.

Due to continuing product improvement, parts and design are subject to change without notice.

[www.pinpointmounts.com](http://www.pinpointmounts.com)