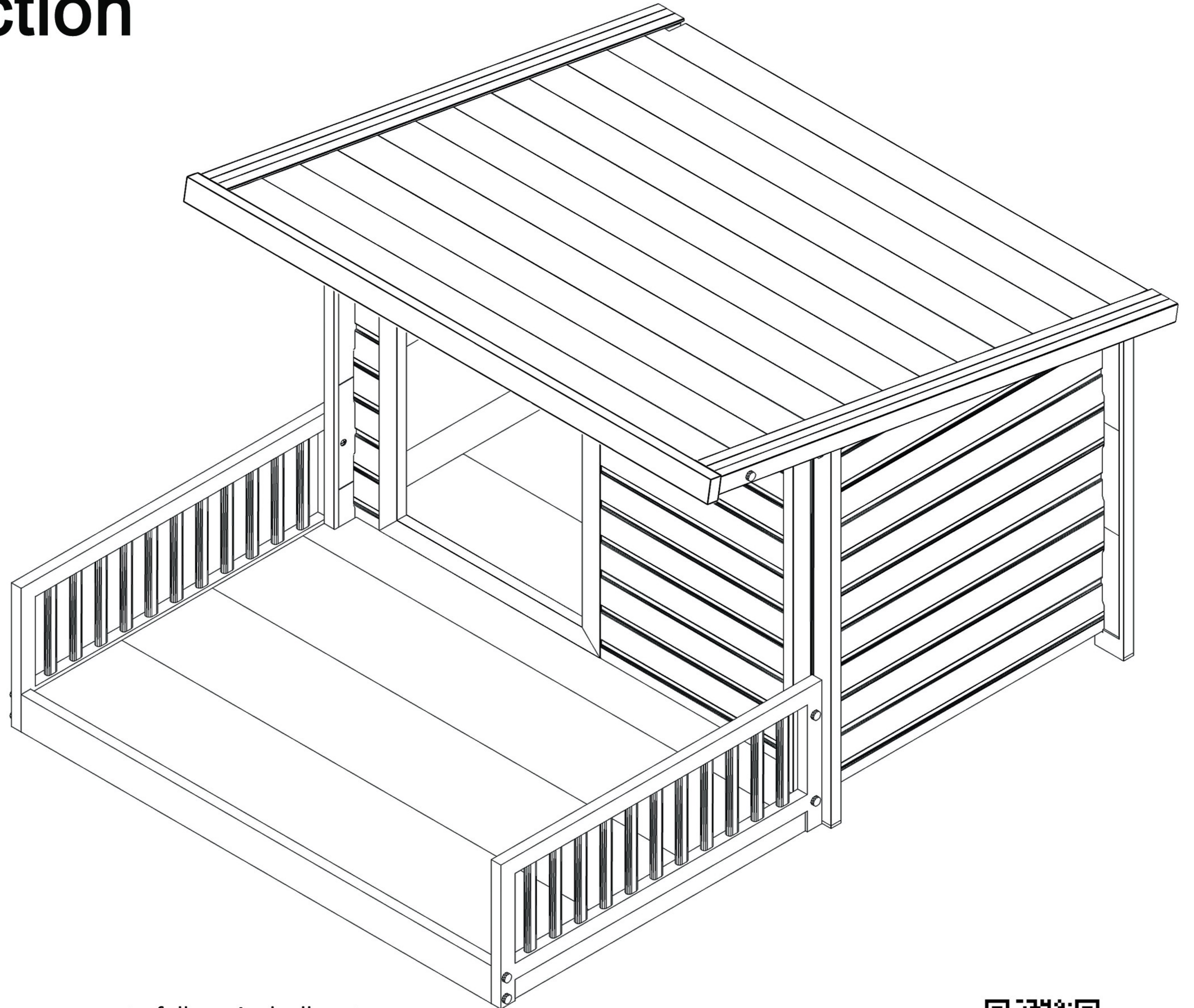


# ecoChoice™ Collection

## *Santa Fe Pet Lodge*

ECO204XL



Congratulation on your purchase!

The assembly is EASY, SAFE and FUN! The pictured instructions are easy to follow. And, all parts are labeled in the same sequence as how they should put together. NO TOOLS NEEDED!

**Before you start** - Check for damaged or missing parts. Visit [www.NewAgePet.com](http://www.NewAgePet.com), Contact Us, to order replacement parts. Most parts ship from our facility in 1 or 2 business days.

Now, enter here and let the fun begin →



Scan here for video instruction and more ...



# Parts List

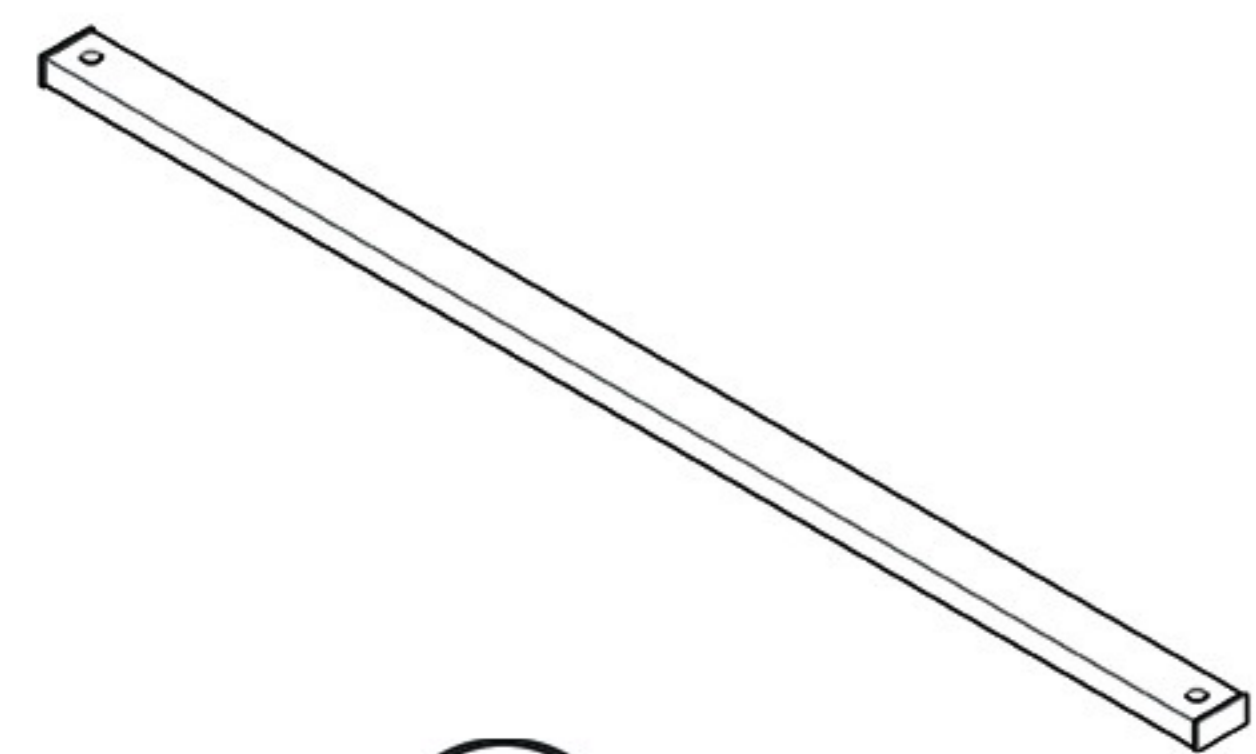
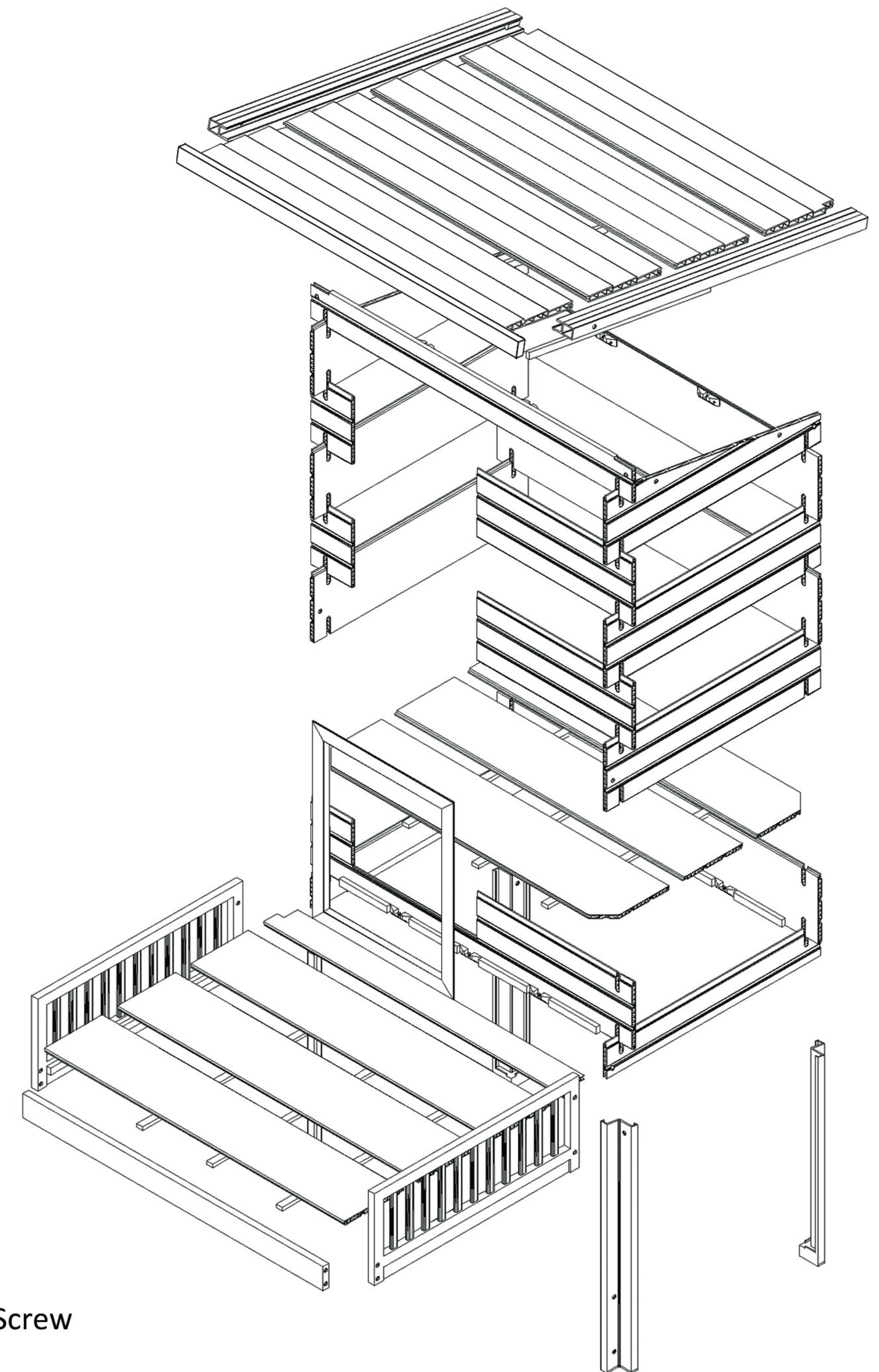
<u>Part Descriptions</u>	<u>Quantity</u>
--------------------------	-----------------

Wall, Floor, Roof Panels	31
--------------------------	----

Wall Columns	4
--------------	---

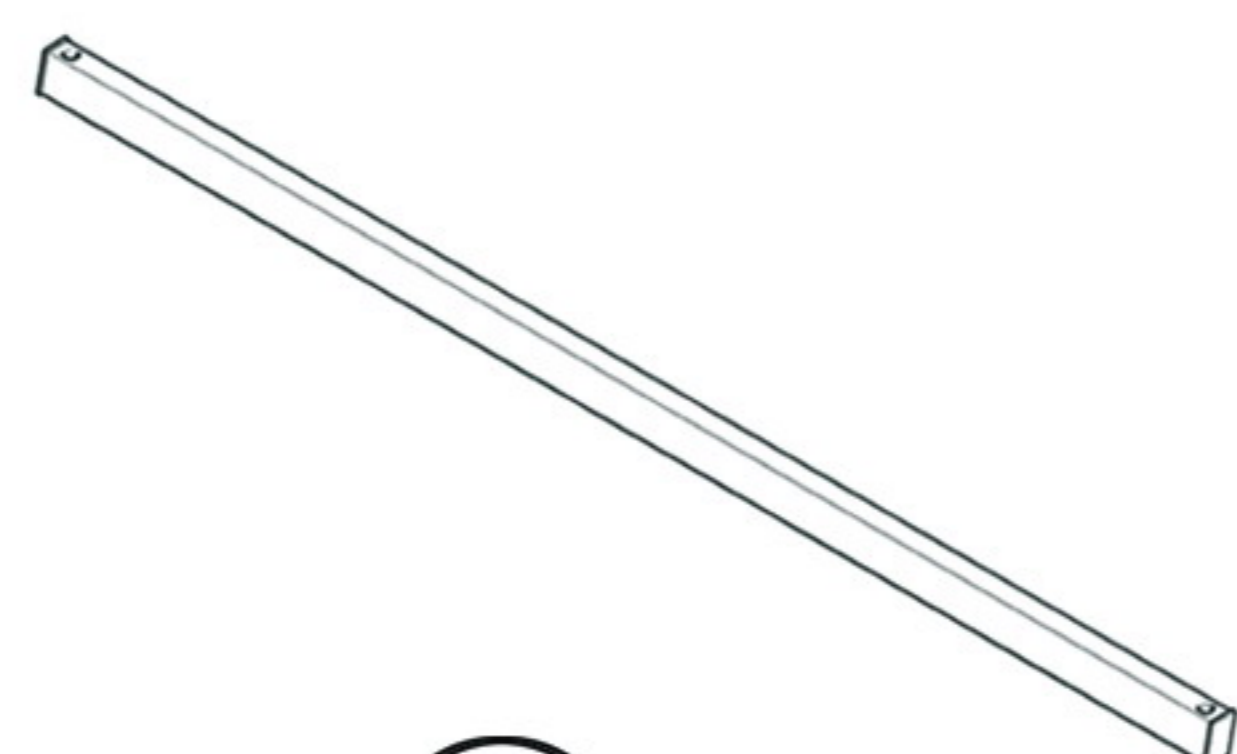
Door Frames	4
-------------	---

Roof Side Rails	2
-----------------	---



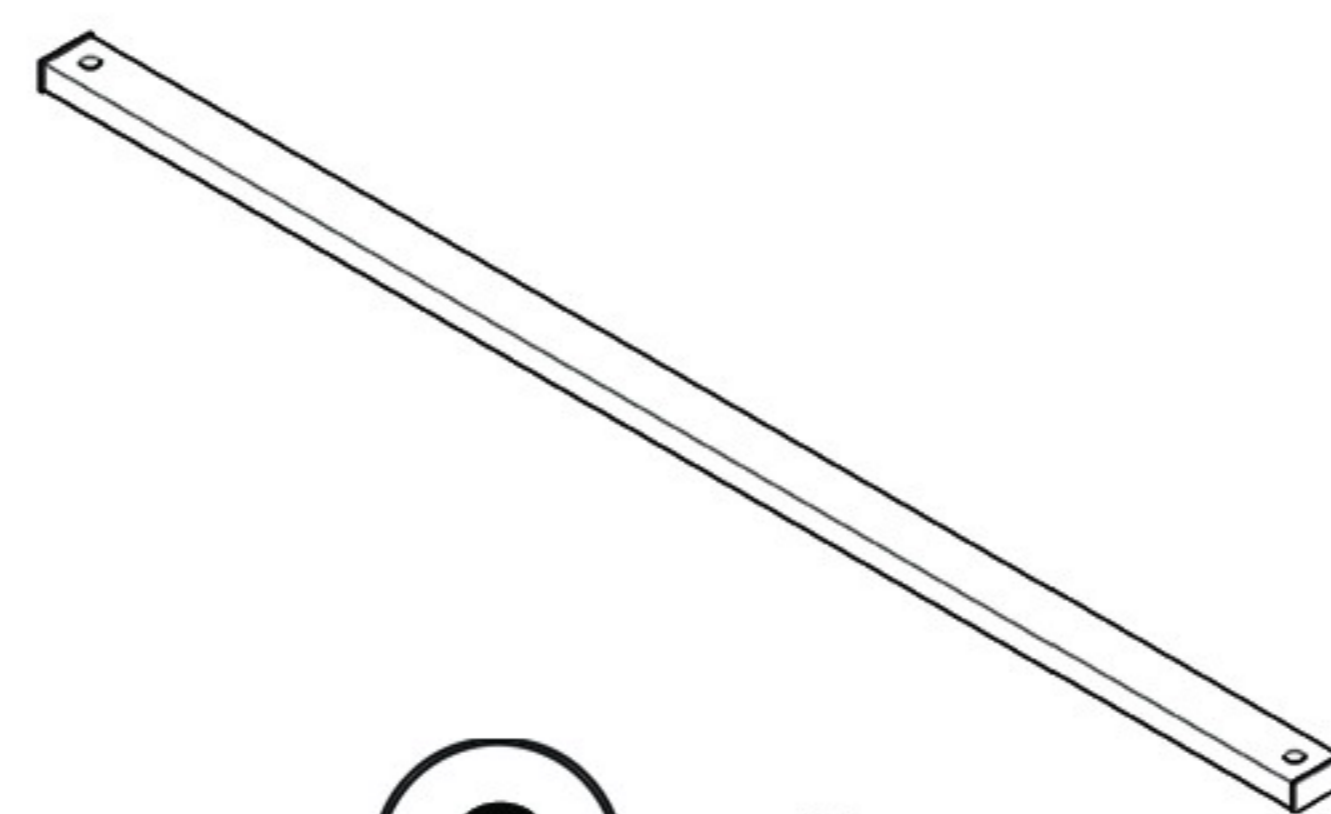
**(A)** × 3

Interior Floor Support Bar



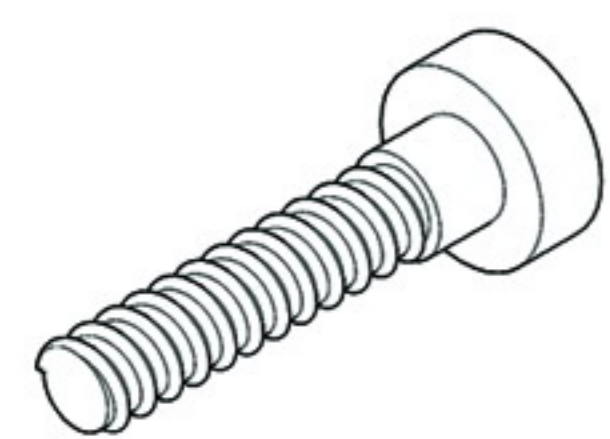
**(B)** × 2

Roof Support Bar



**(C)** × 3

Porch Floor Support Bar



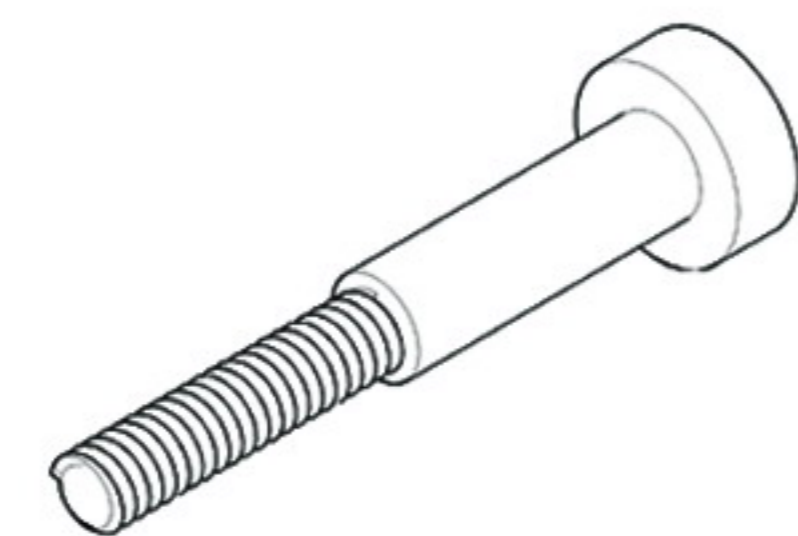
**(D)** × 12

1 1/2" Thumb Screw



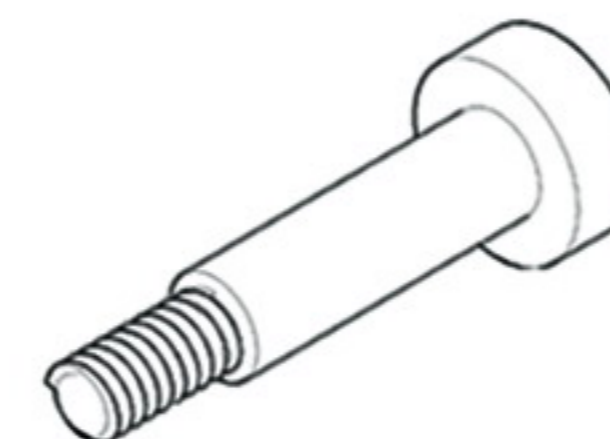
**(E)** × 8

Nuts



**(F)** × 2

2 3/8" Long Roof Screw



**(G)** × 4

1 13/16" Long Porch Screw

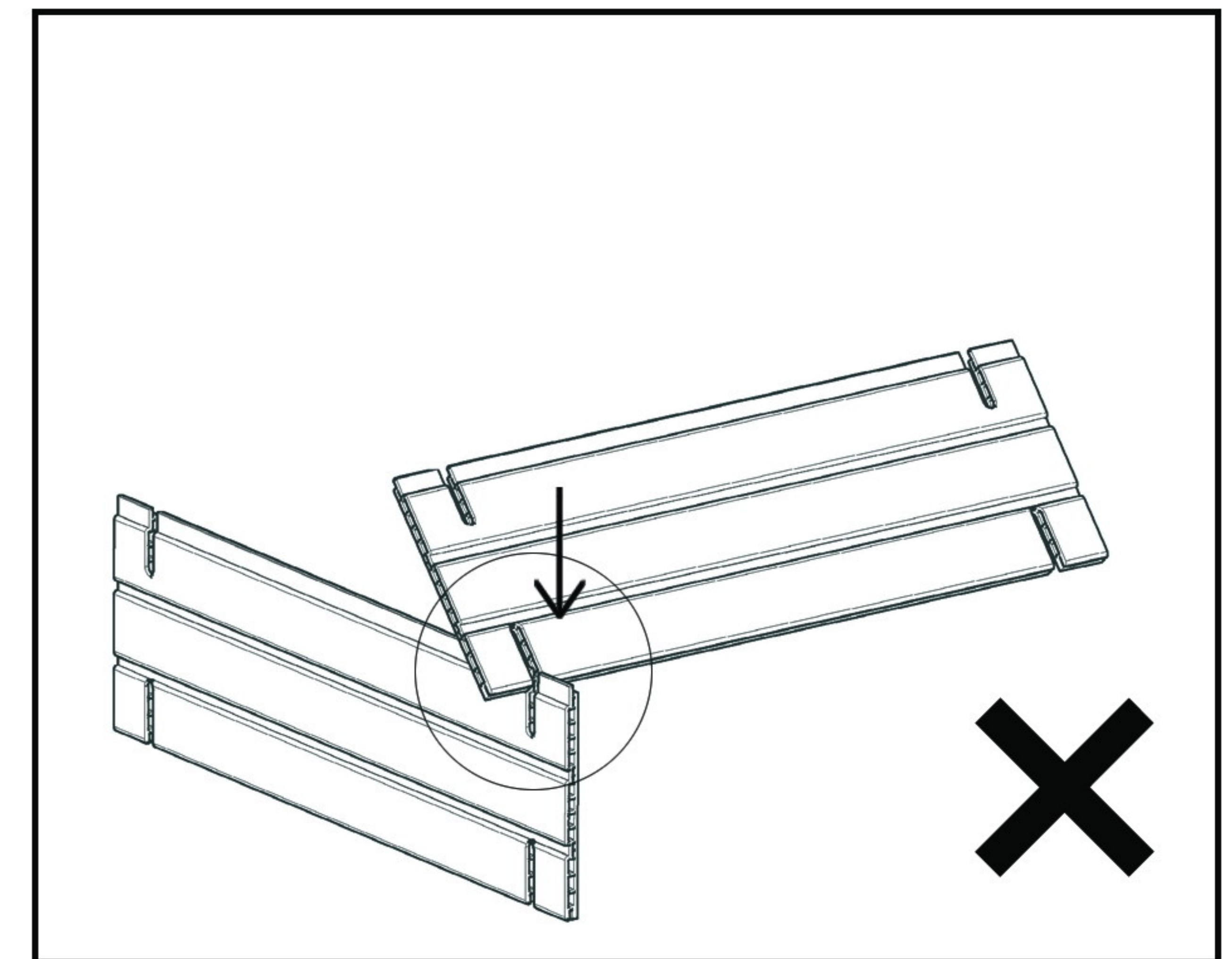
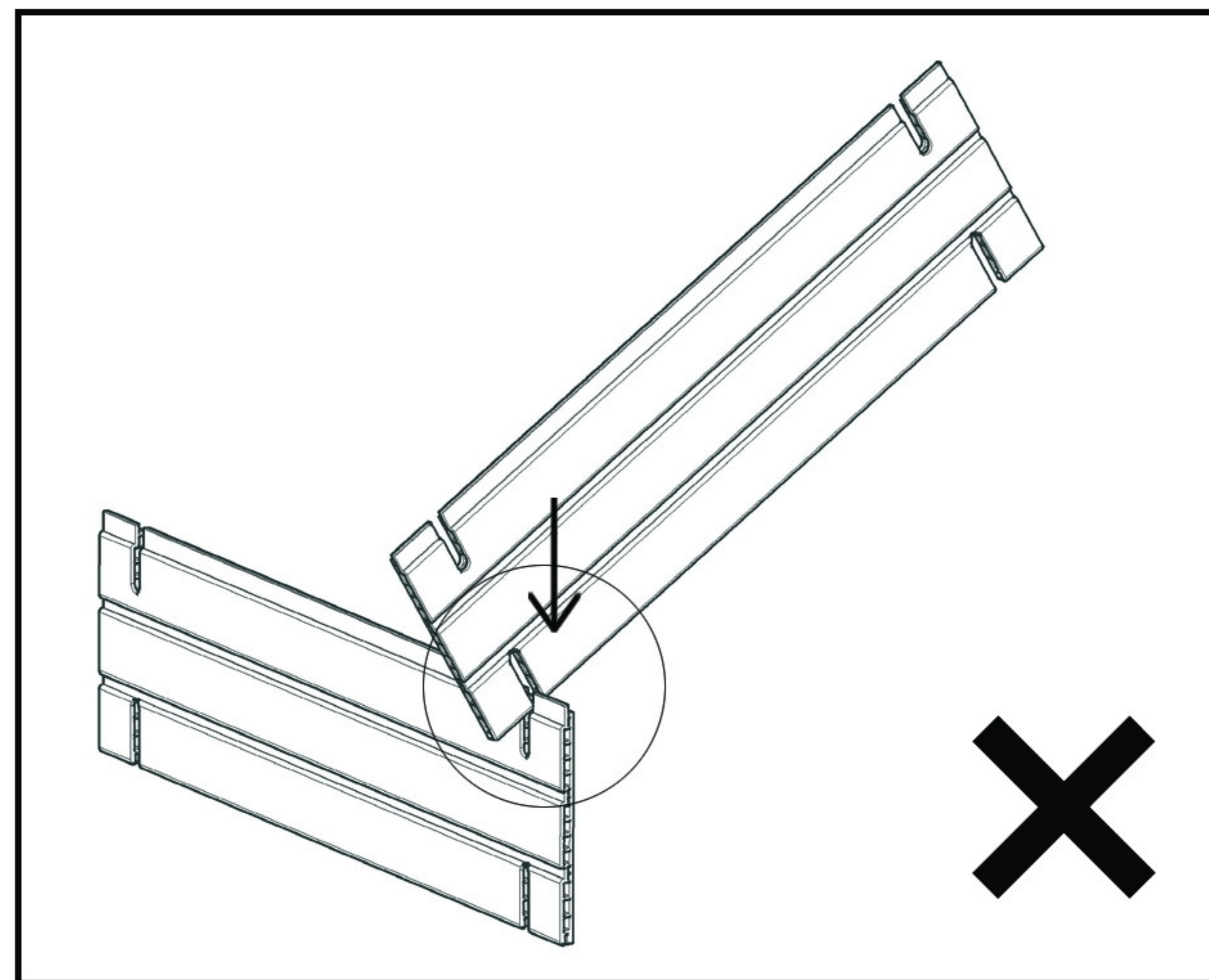
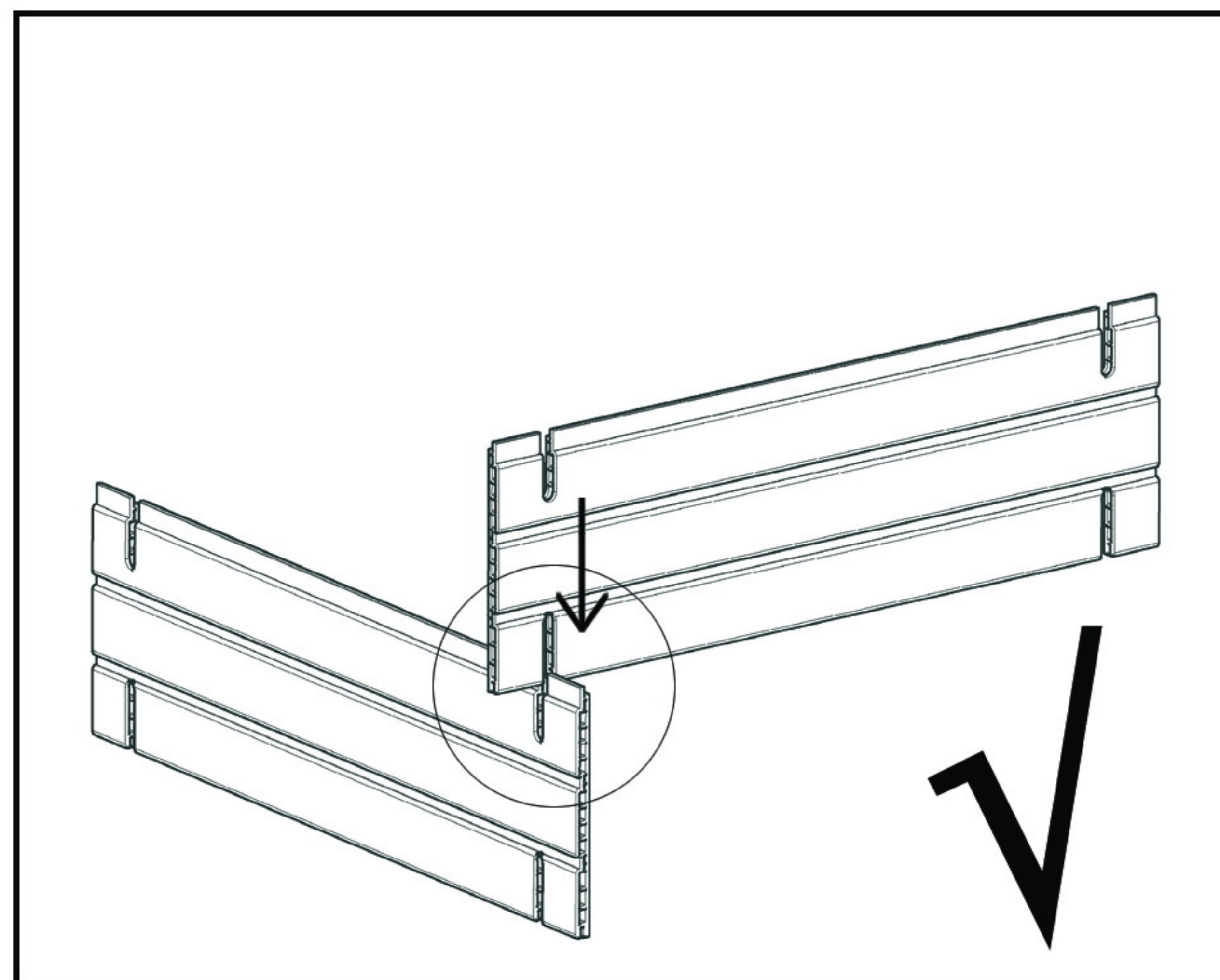
(Screw and Nuts may come in one or two colors, vary by model.)



# Notes

---

**STOP!** Do you know you can paint or stain your ecoChoice Pet Home? Whether you want to add your personal touch, or co-ordinate your pet's home to your home, do it now before you assemble the house. Simply follow the useful tips at the end of this instruction booklet. Be creative and have fun!



When installing wall panels, make sure the two connecting panels are at a 90 degree angle vertical to the ground, and 90 degree perpendicular to each other. Tilting in any way might cause damage to the groove.

**01** ——— Part #



Part Label.

All Parts are labeled in the sequence of assembly.



## IMPORTANT ASSEMBLY TIPS

---

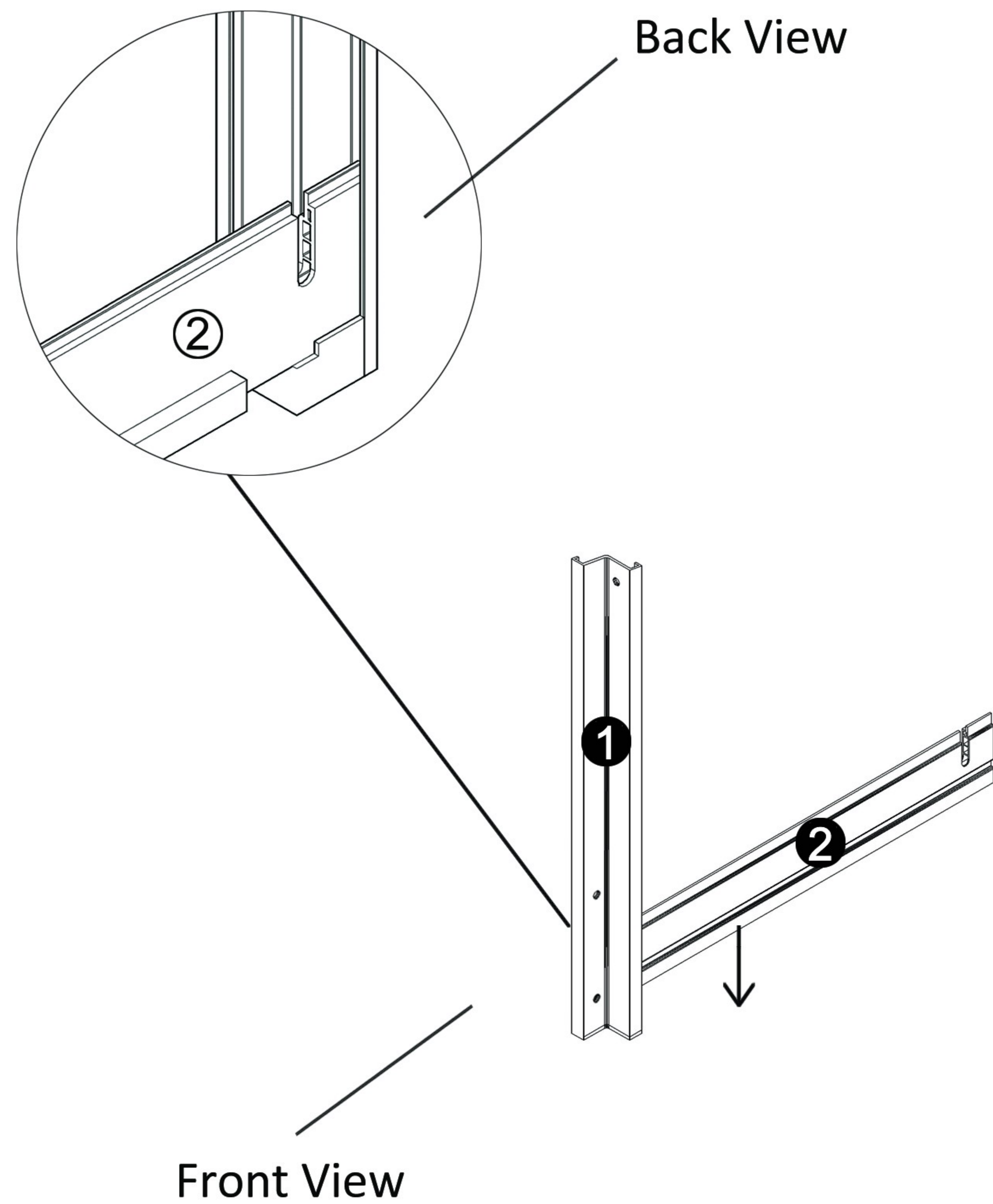
*Before launch the new ecoChoice™ line, we have conducted hundreds of testing and surveys with pet lovers. Thanks to all the participants and their feedbacks, now we have these valuable tips to pass on to you ...*

- ⇒ **Assemble on a hard, flat surface.** Once assembled, you can easily move the dog house to the location desired.
- ⇒ **Sort the parts in sequence.** We know you are eager to dive in, but spending a moment lay out the parts by ascending numbers will save you time and frustration later on.
- ⇒ **Note the difference of the panel edges.** For all wall, roof and floor panels, one edge has lip, the other edge has groove. During assembly, the grooved edge is always facing downward (except for the floor panels).
- ⇒ **Note the difference of the two sides of panels.** As a general rule, the flat side is facing inside the house, and the washed side is facing outside.



# Step 1.

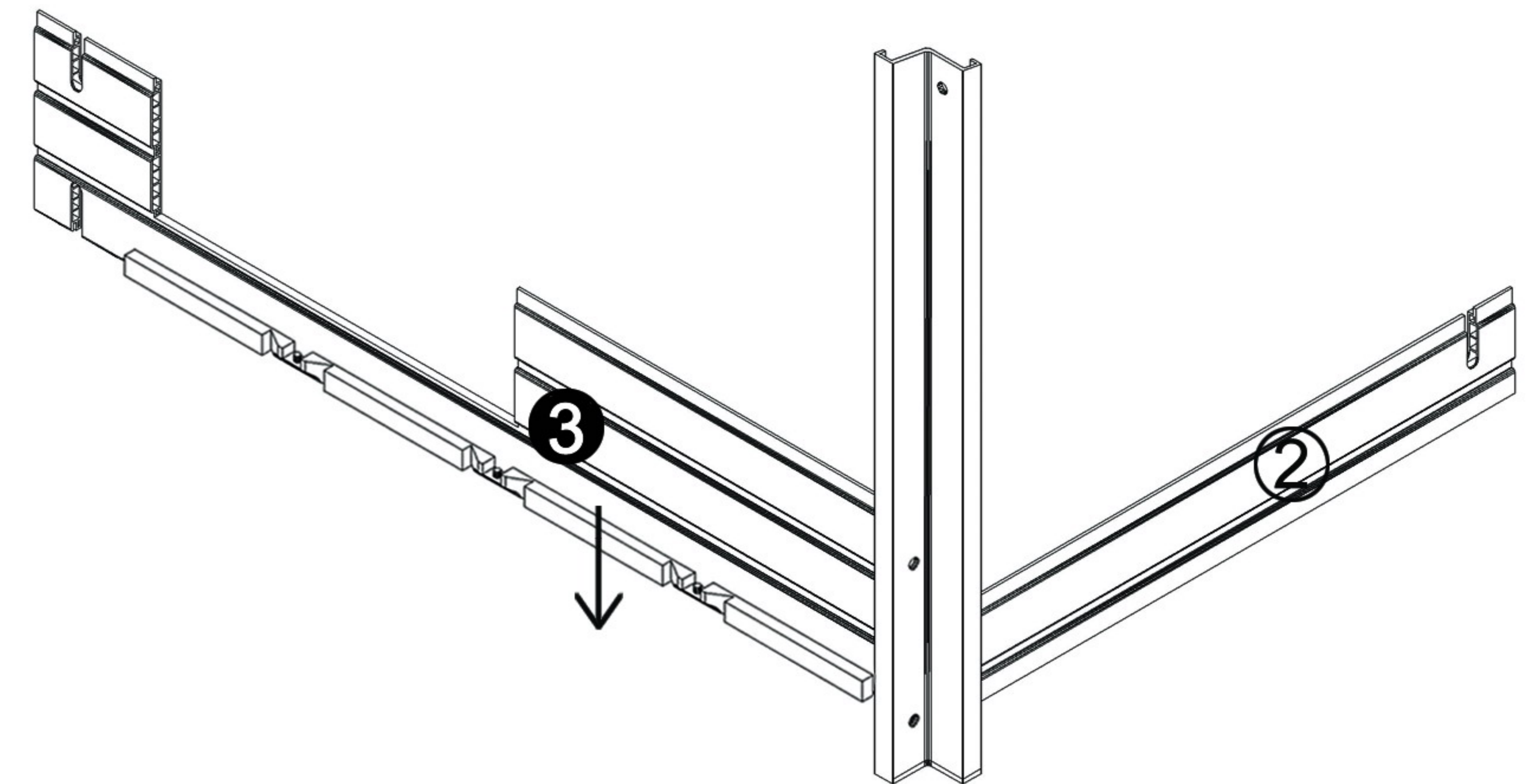
---



# Step 2.

---

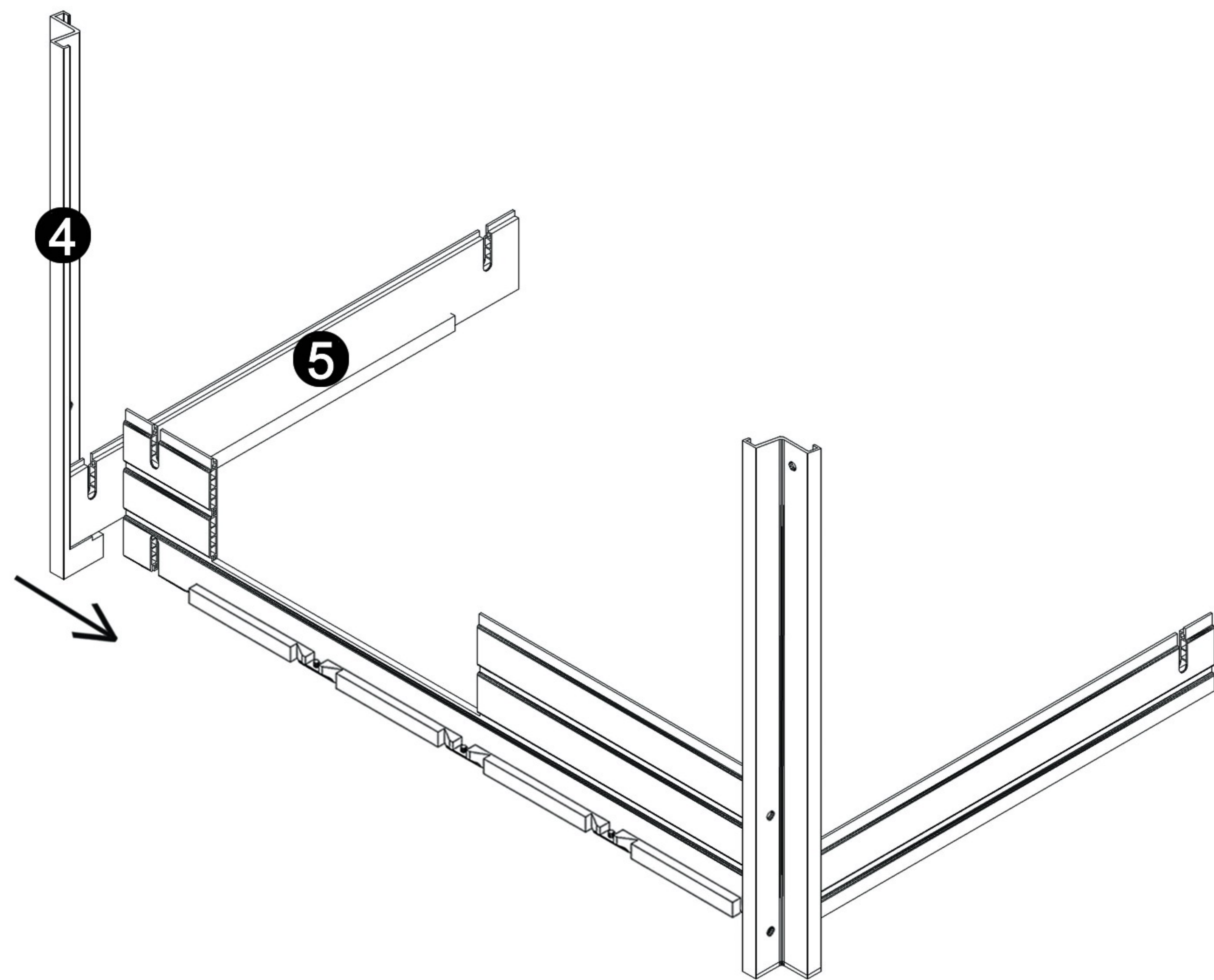
Note: After install Panel ③, make sure the FLAT side of panel ② and ③ are facing inside, and the washed sides are facing out.





# Step 3.

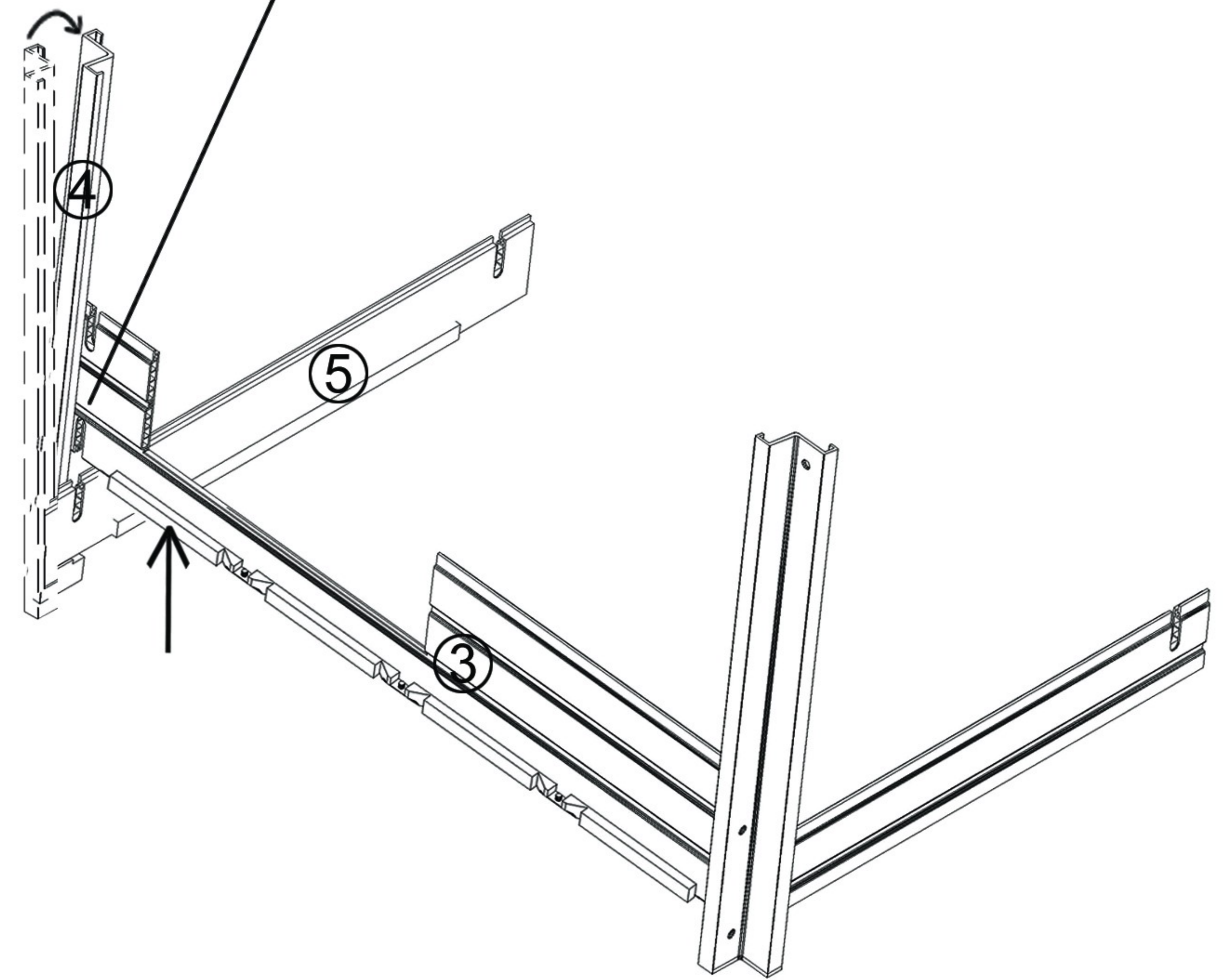
---



# Step 4.

---

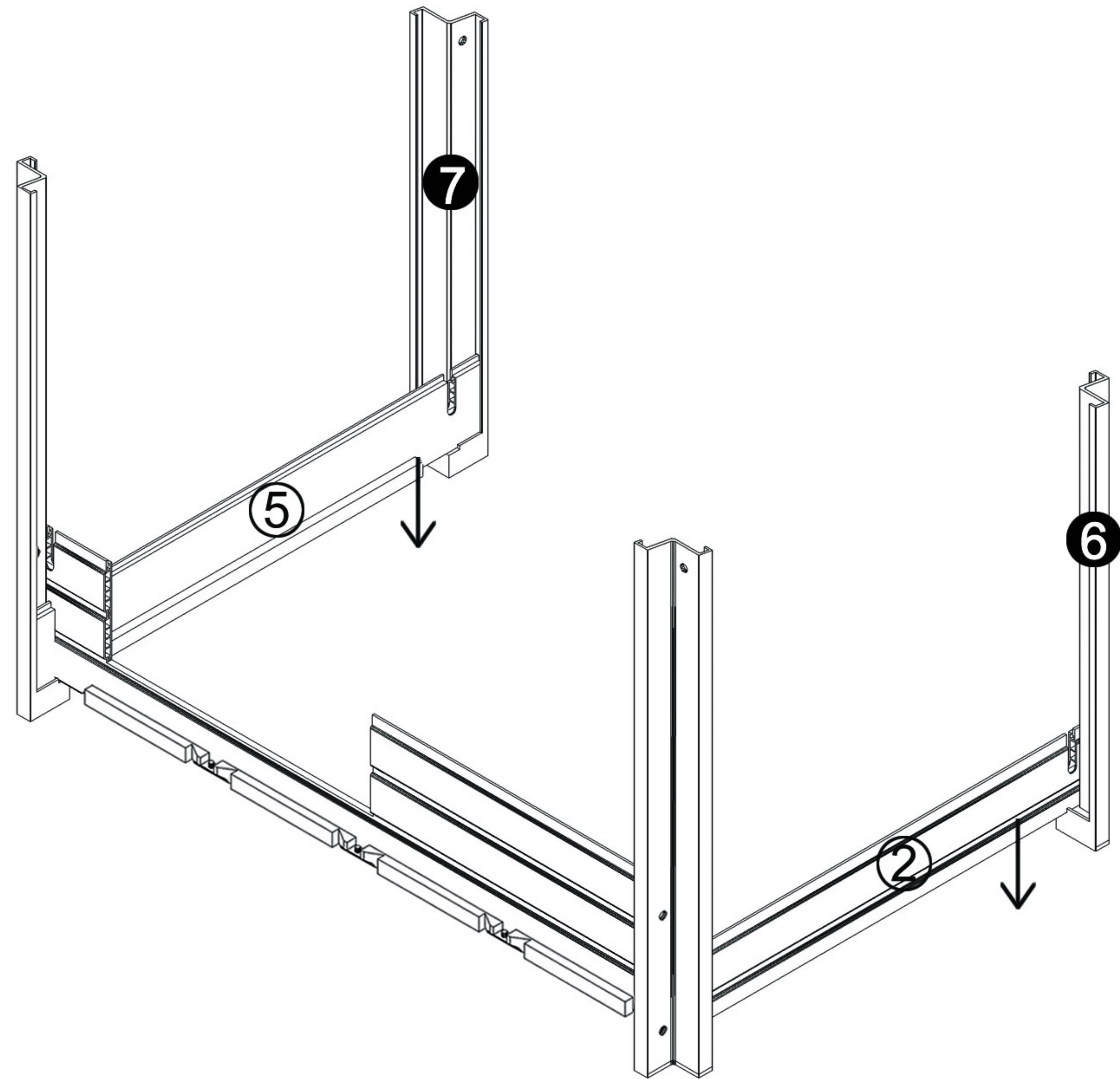
Move assembled parts (4) & (5) and (3) near to each other. Lift (3) upward as shown, then tilt (4) & (5) so (3) is perpendicular to (5). Insert (3) into (5).





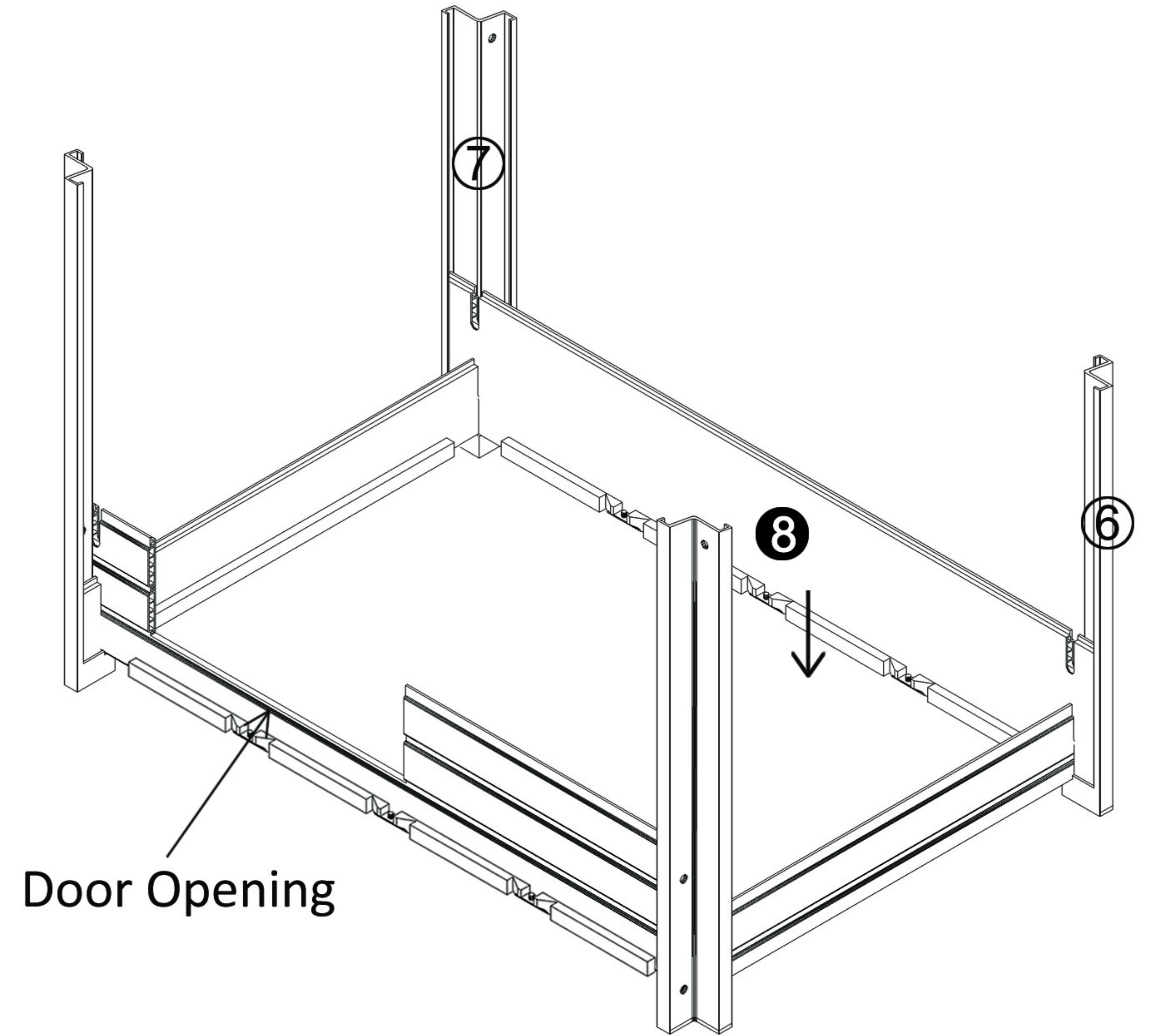
# Step 5.

---



# Step 6.

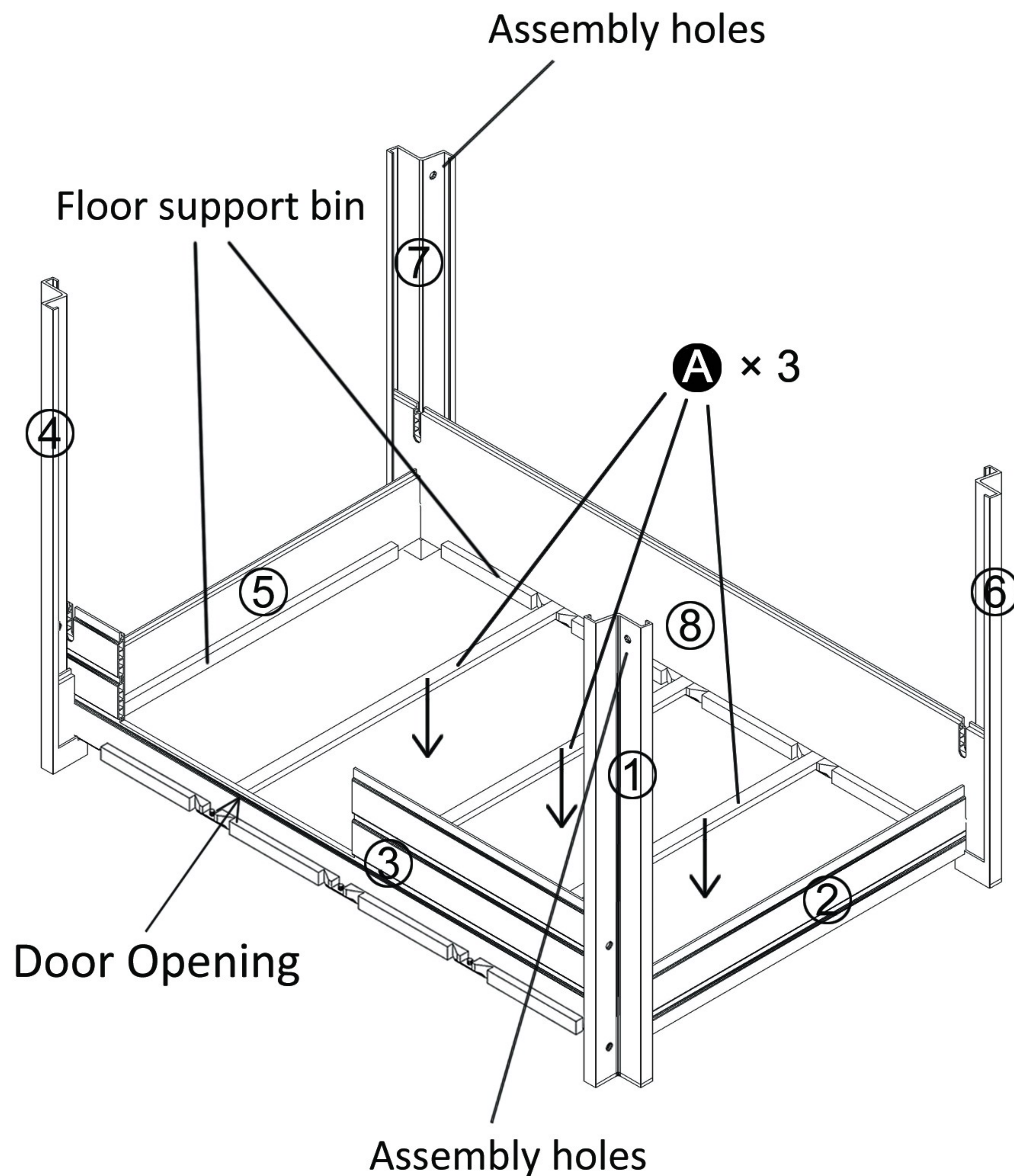
---





# Step 7.

---



So far you have setup the wall base panels, ②, ③, ⑤ & ⑧; and the 4 column posts. Step back and stand facing the front door open. Do a quick check:

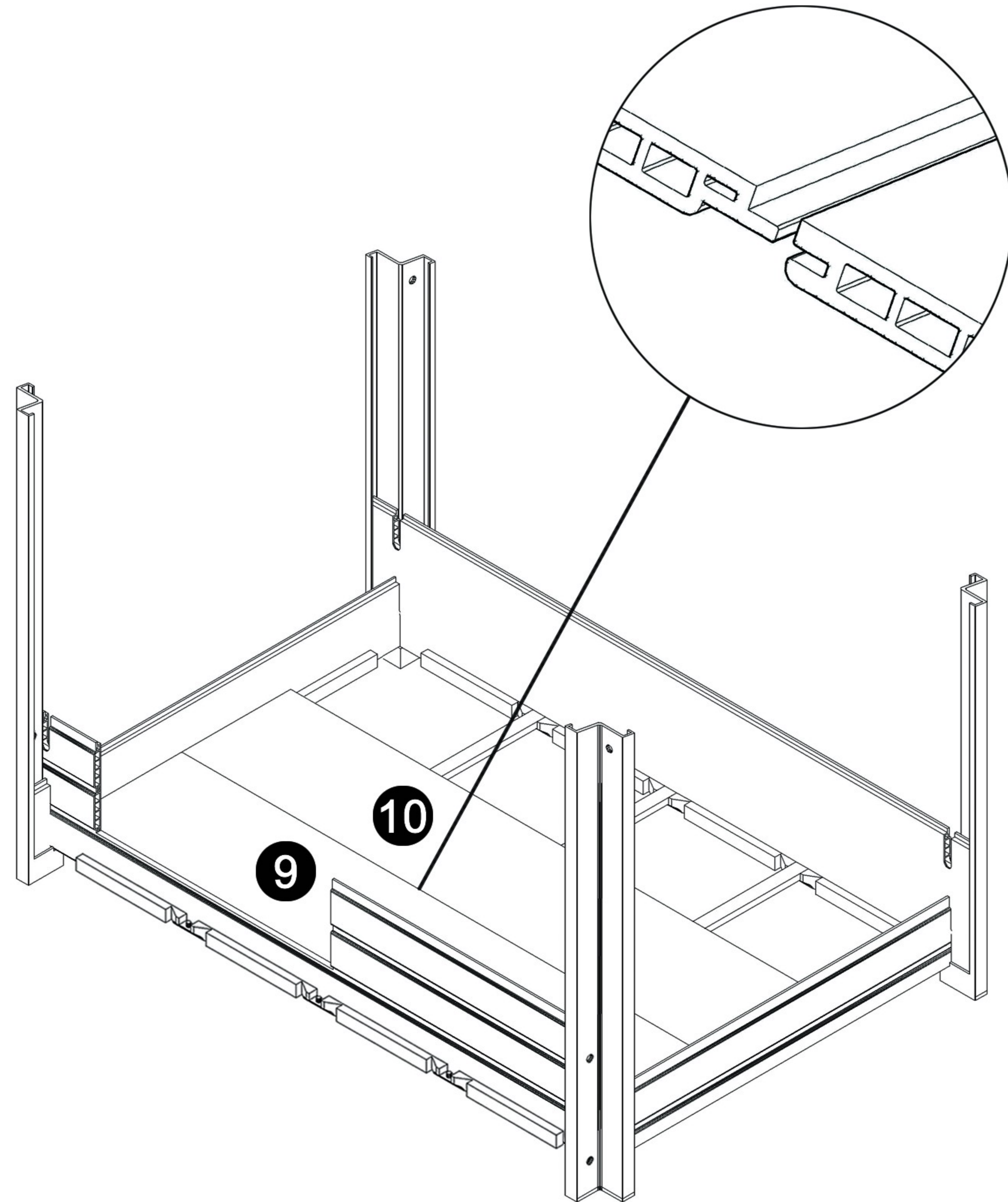
- The FLAT SIDES of the all wall panels are facing inside.
- The floor support bins are located on the lower edge of the flat side of back wall panel ⑧, and on both sides of front wall panel ③.
- The assembly holes on the two front columns ① & ④ are facing forwards; while the assembly holes on the two back columns ⑥ & ⑦ are facing each other.

Once you check all the above, you are ready to move on...



# Step 8.

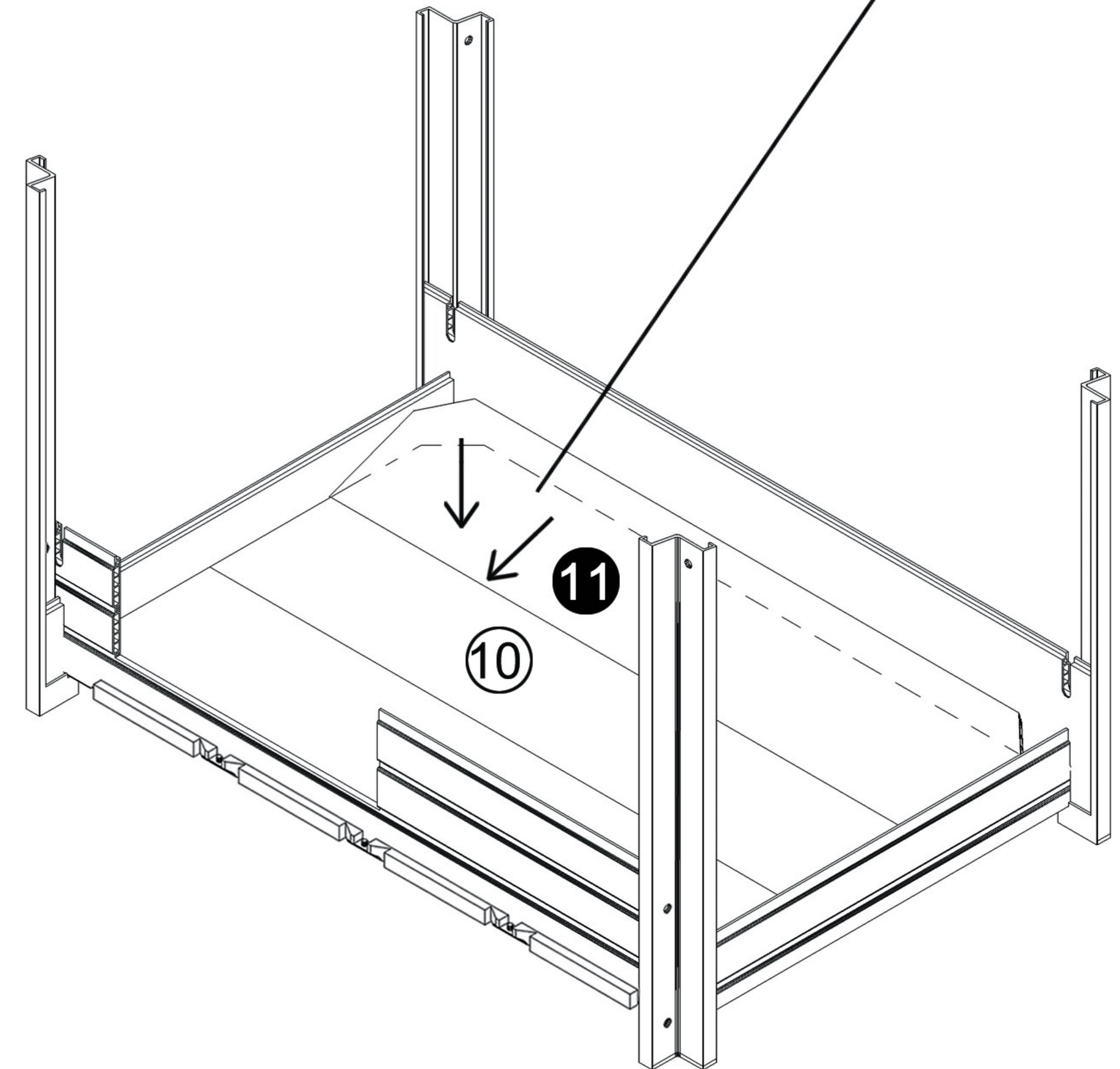
---



# Step 9.

---

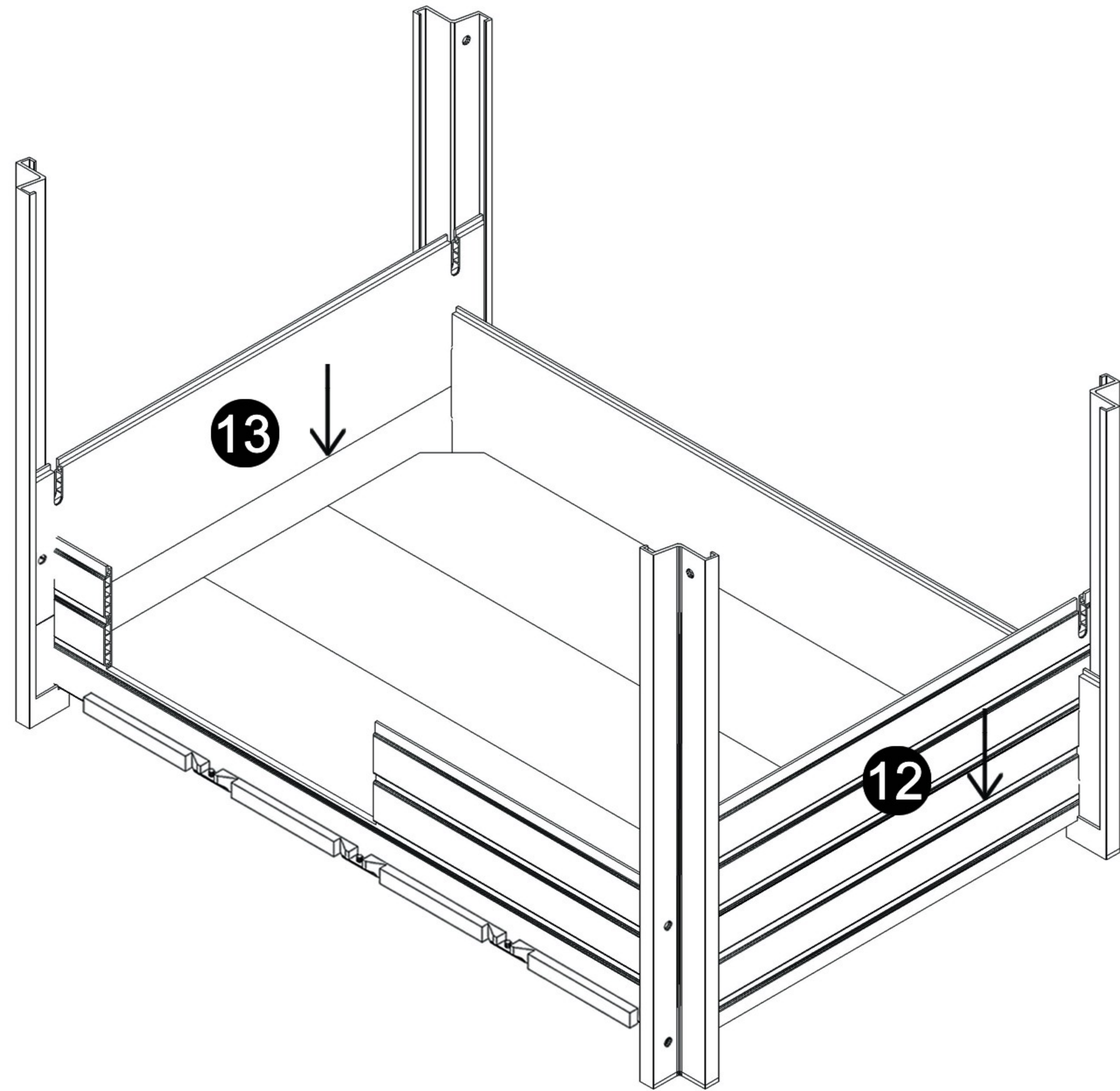
Hold panel ⑪ at the two corner cutouts. Slightly angle ⑪ into ⑩. Release panel ⑪, then gently push it down.





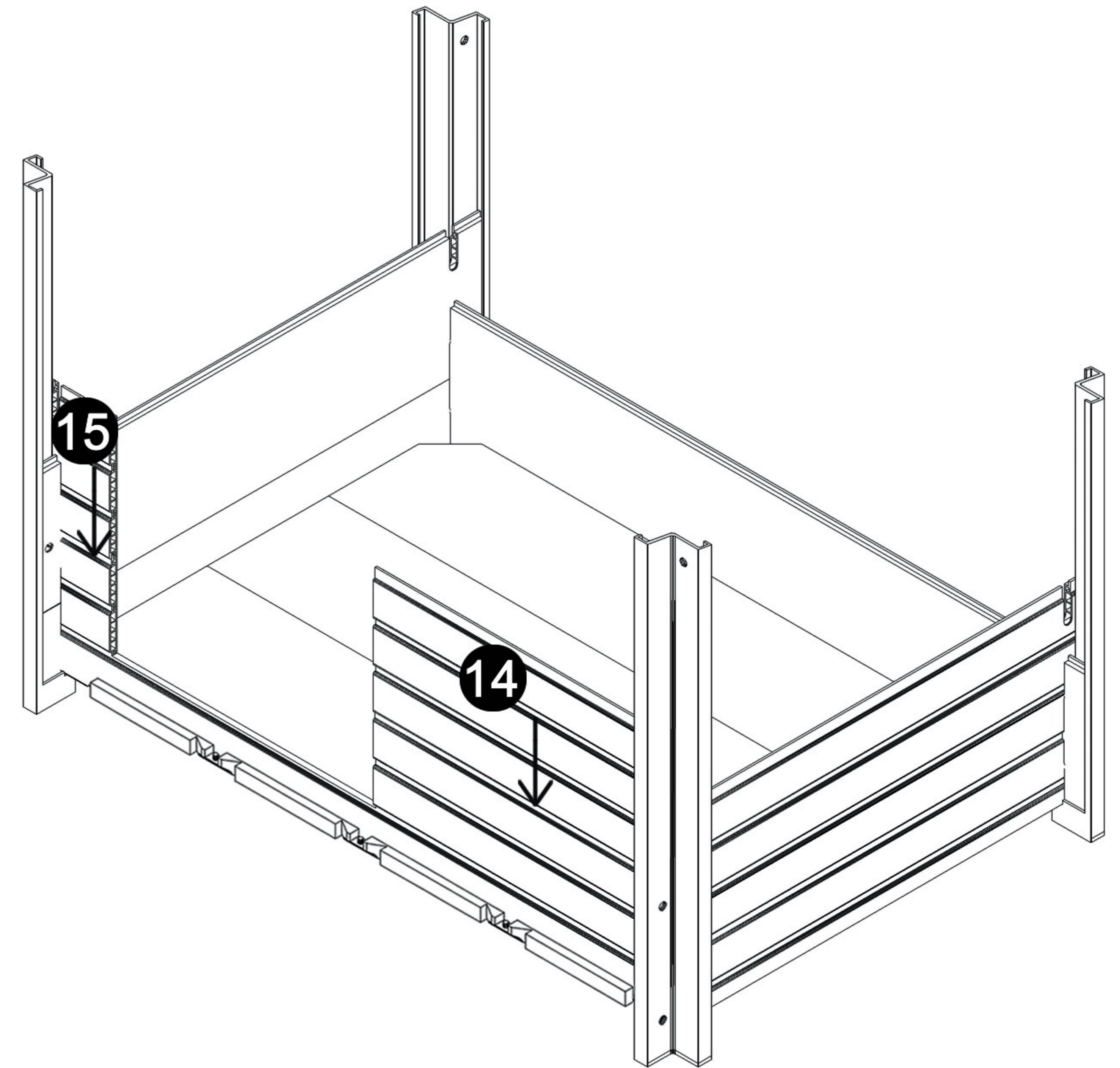
# Step 10.

---



# Step 11.

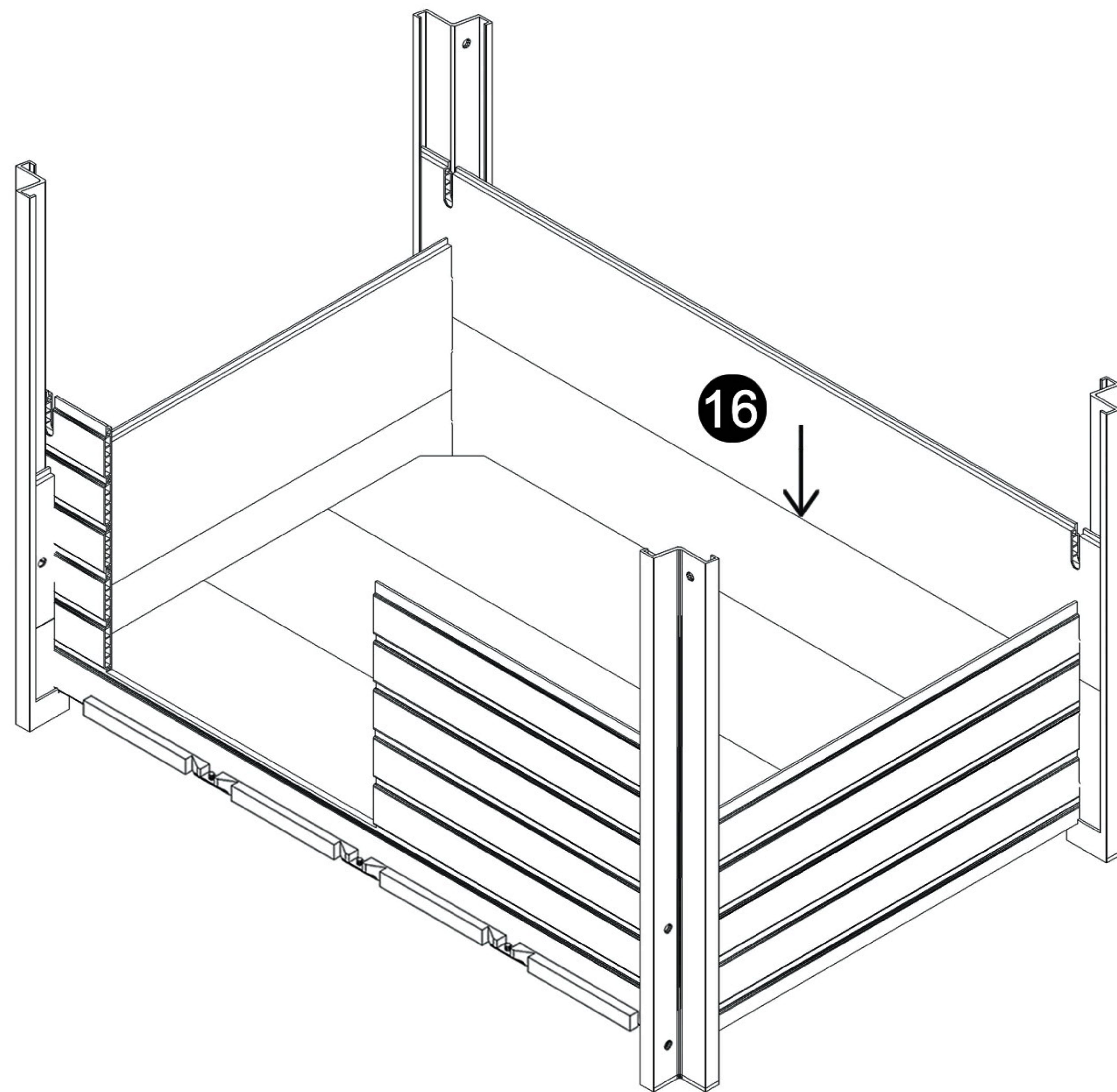
---





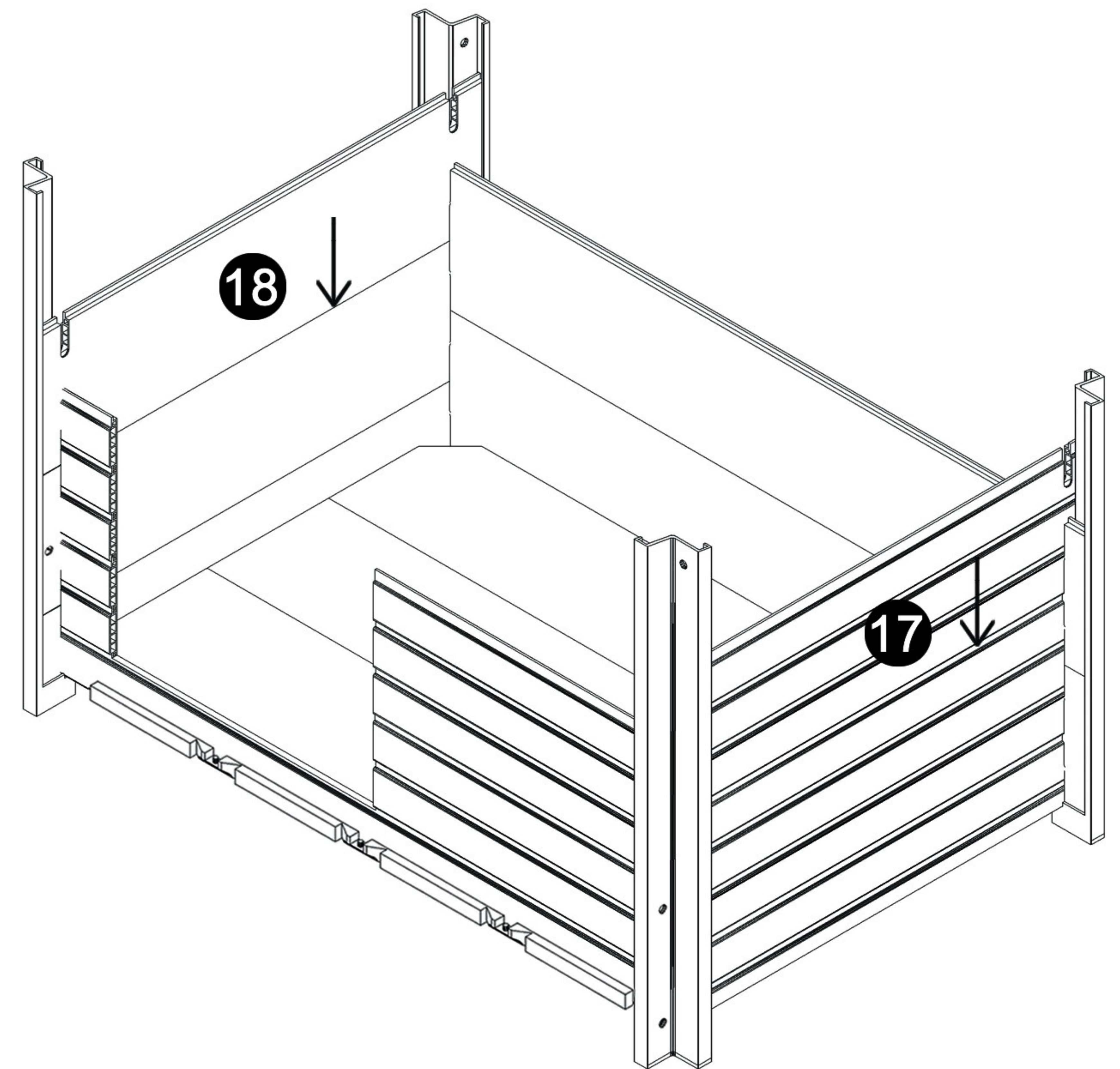
# Step 12.

---



# Step 13.

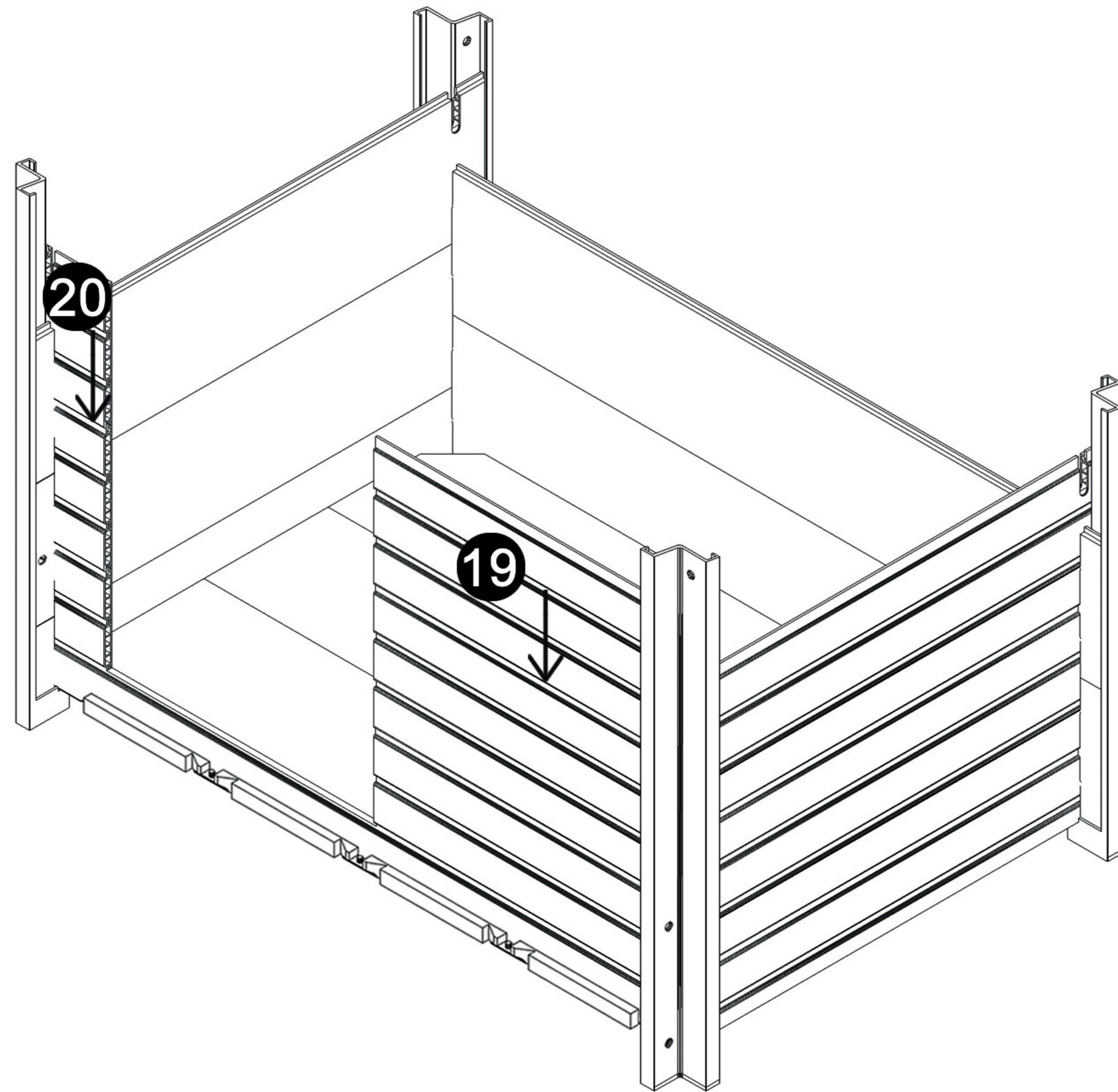
---





# Step 14.

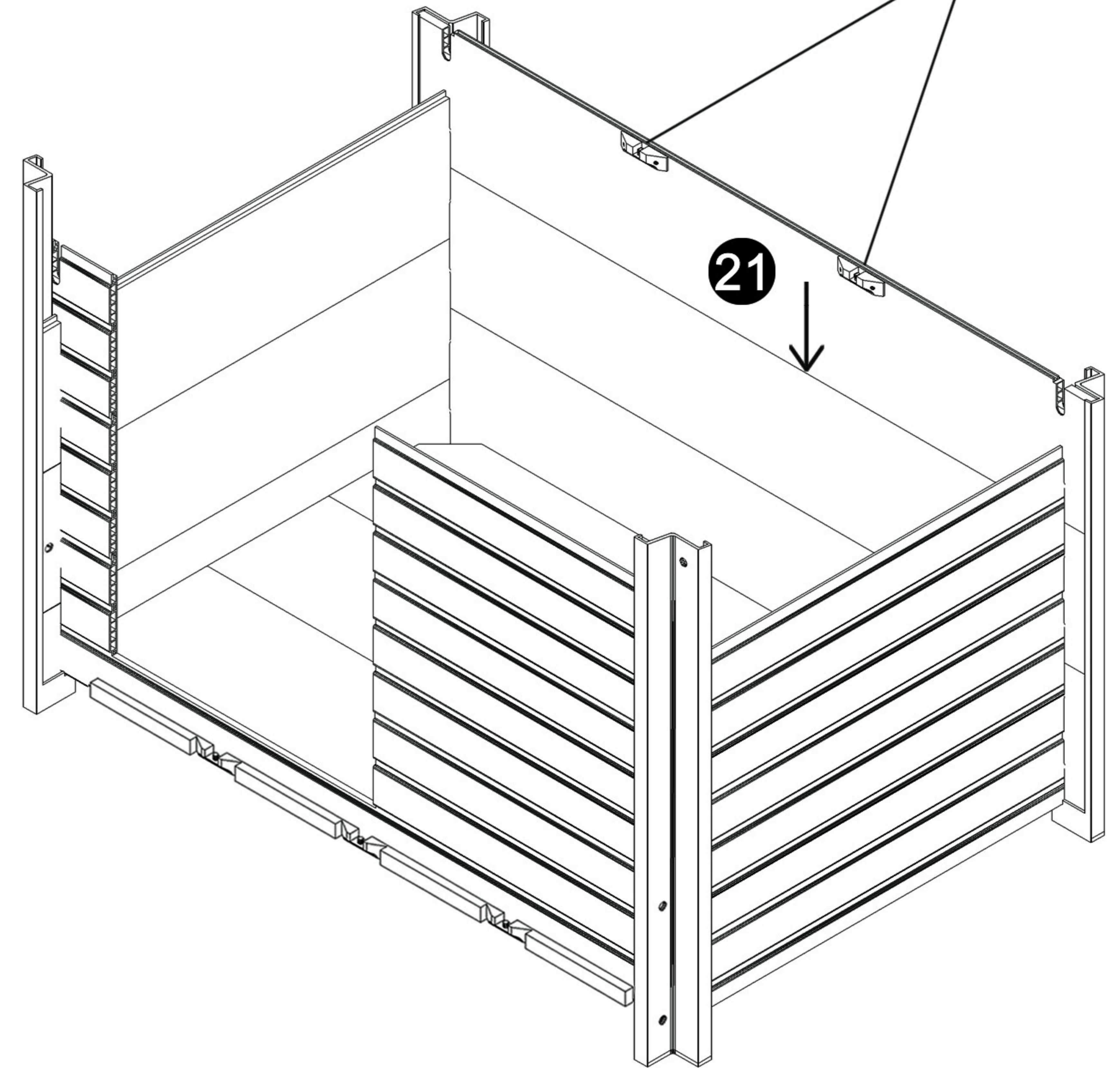
---



# Step 15.

---

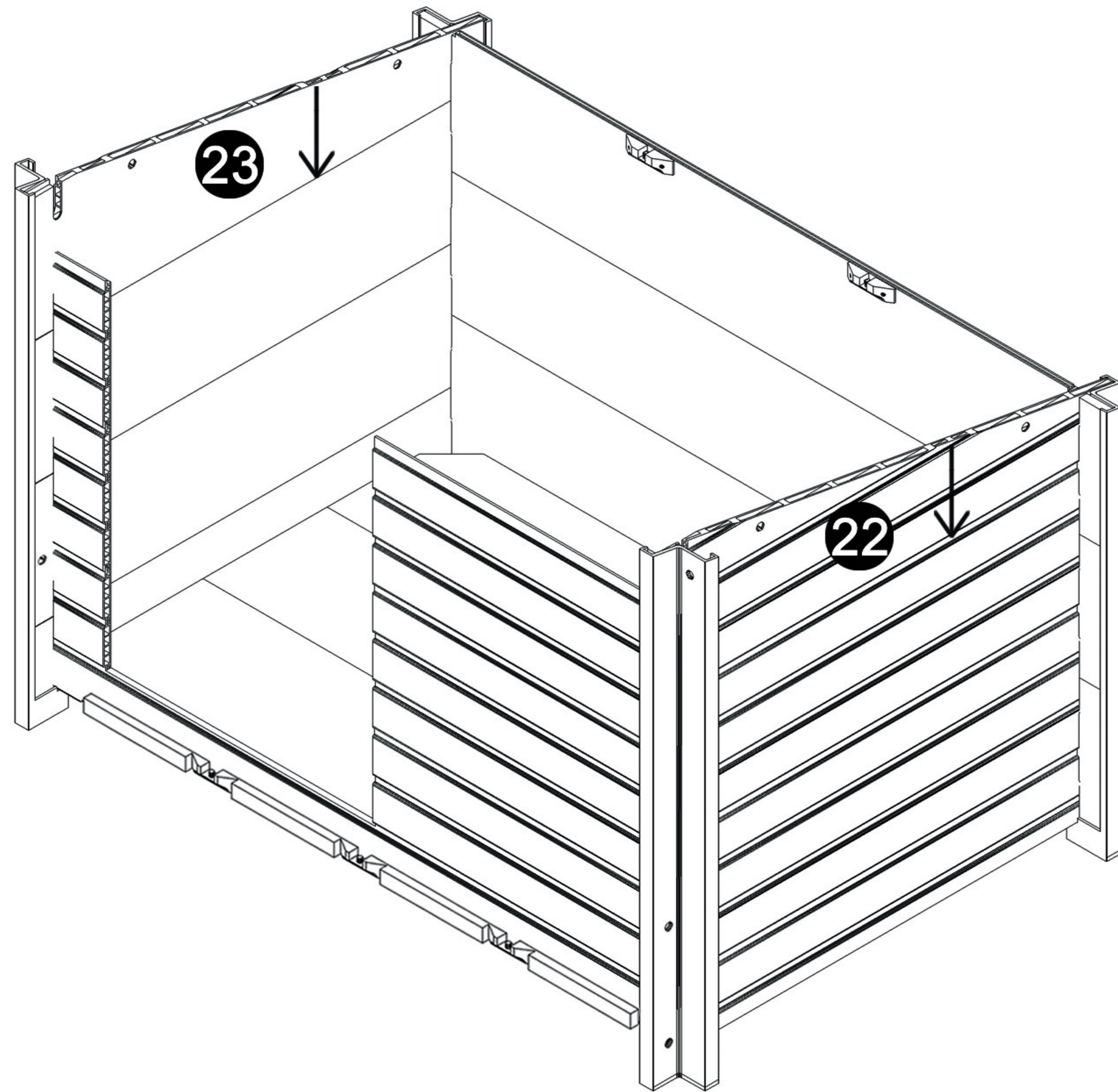
The edge with plastic brackets should be on top.





## Step 16.

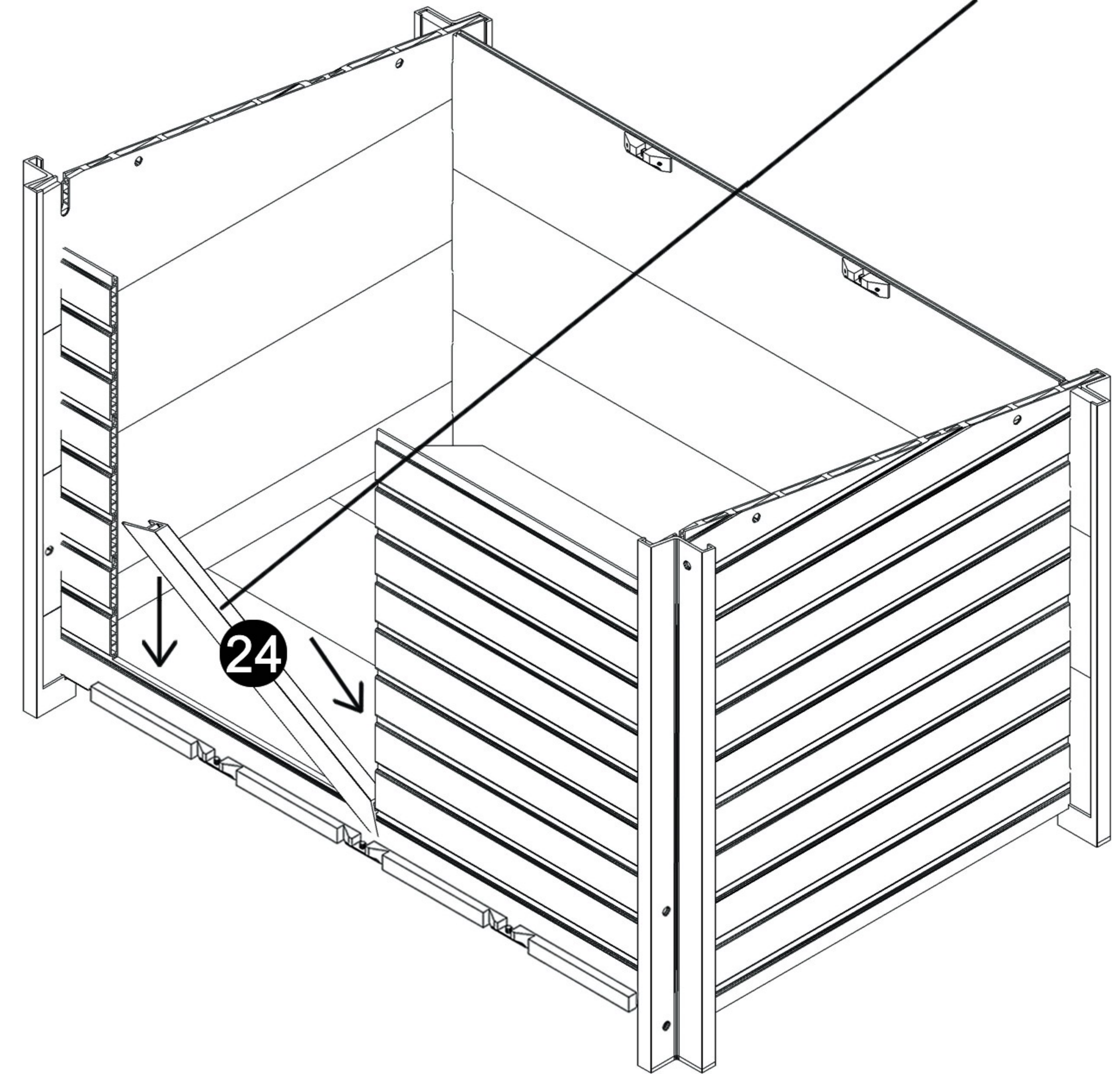
---



## Step 17.

---

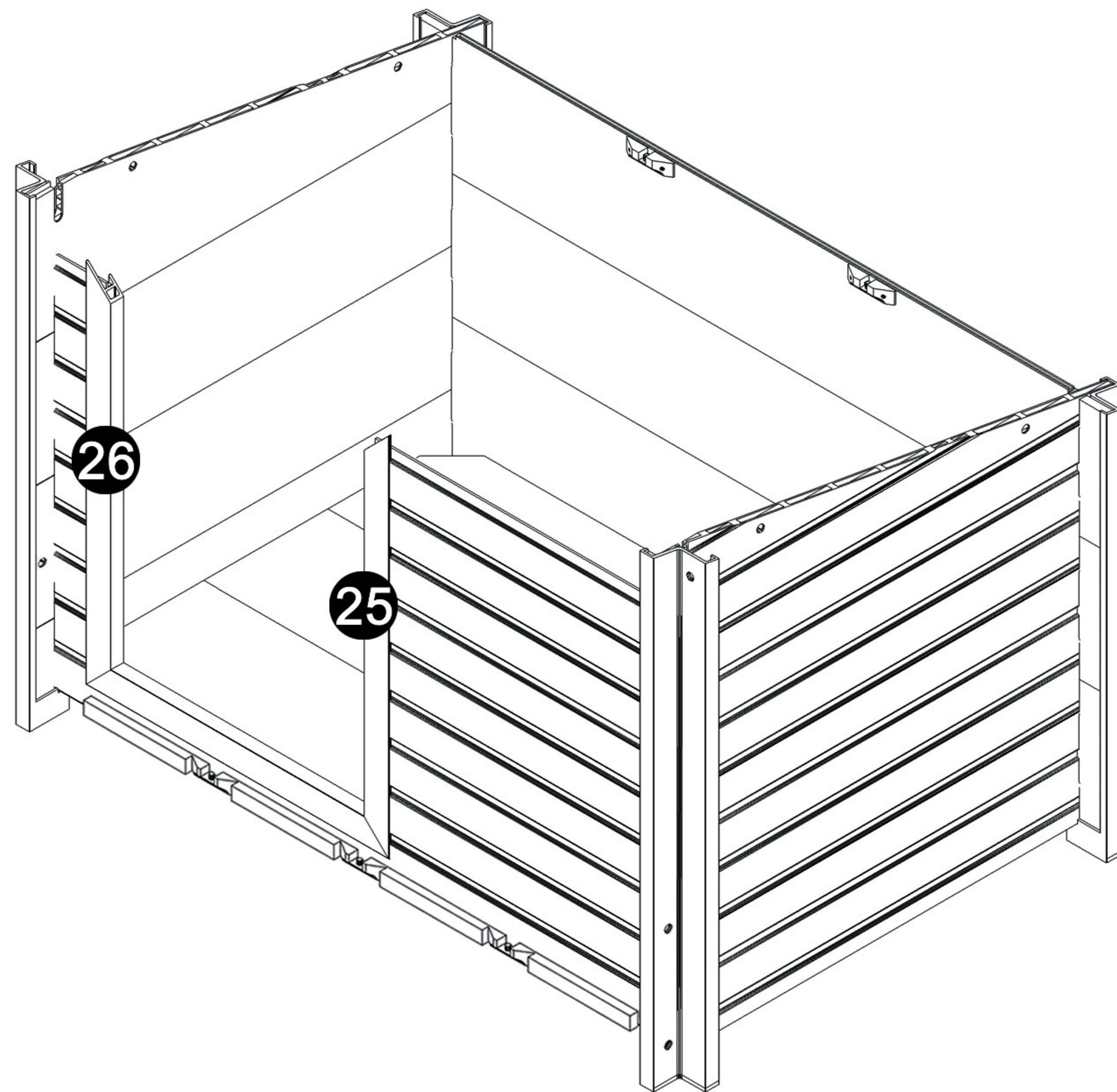
Place door frame ②④ into one of the lower corners of the door opening, then push the other end down gently. The side of the frame piece with part # bar code should be facing inside the barn. Same for all door frame pieces.





# Step 18.

---

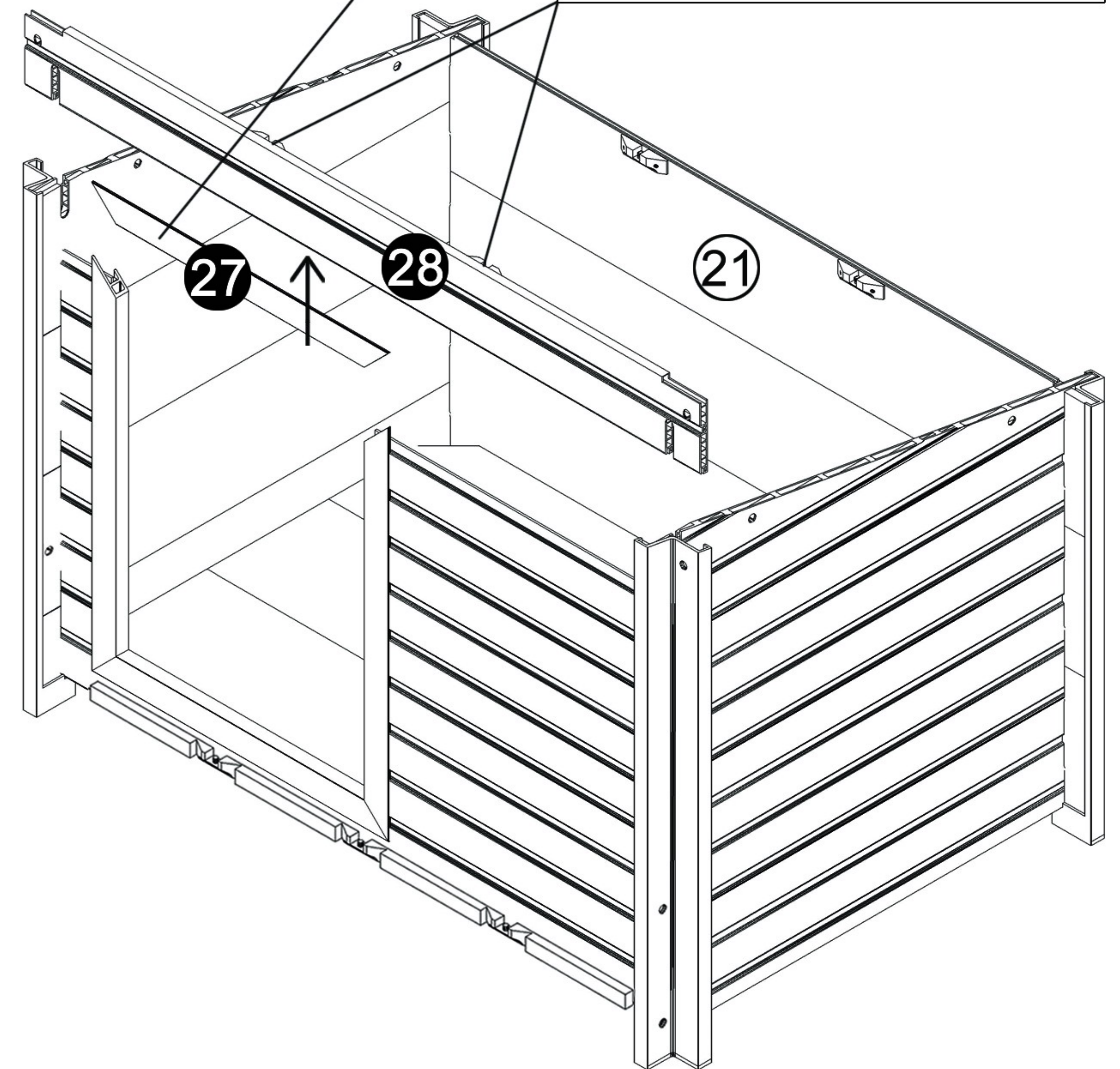


# Step 19.

---

Attach door frame (27) to panel (28).

The plastic brackets are positioned on top of the Panel (28) and facing toward Panel (21).

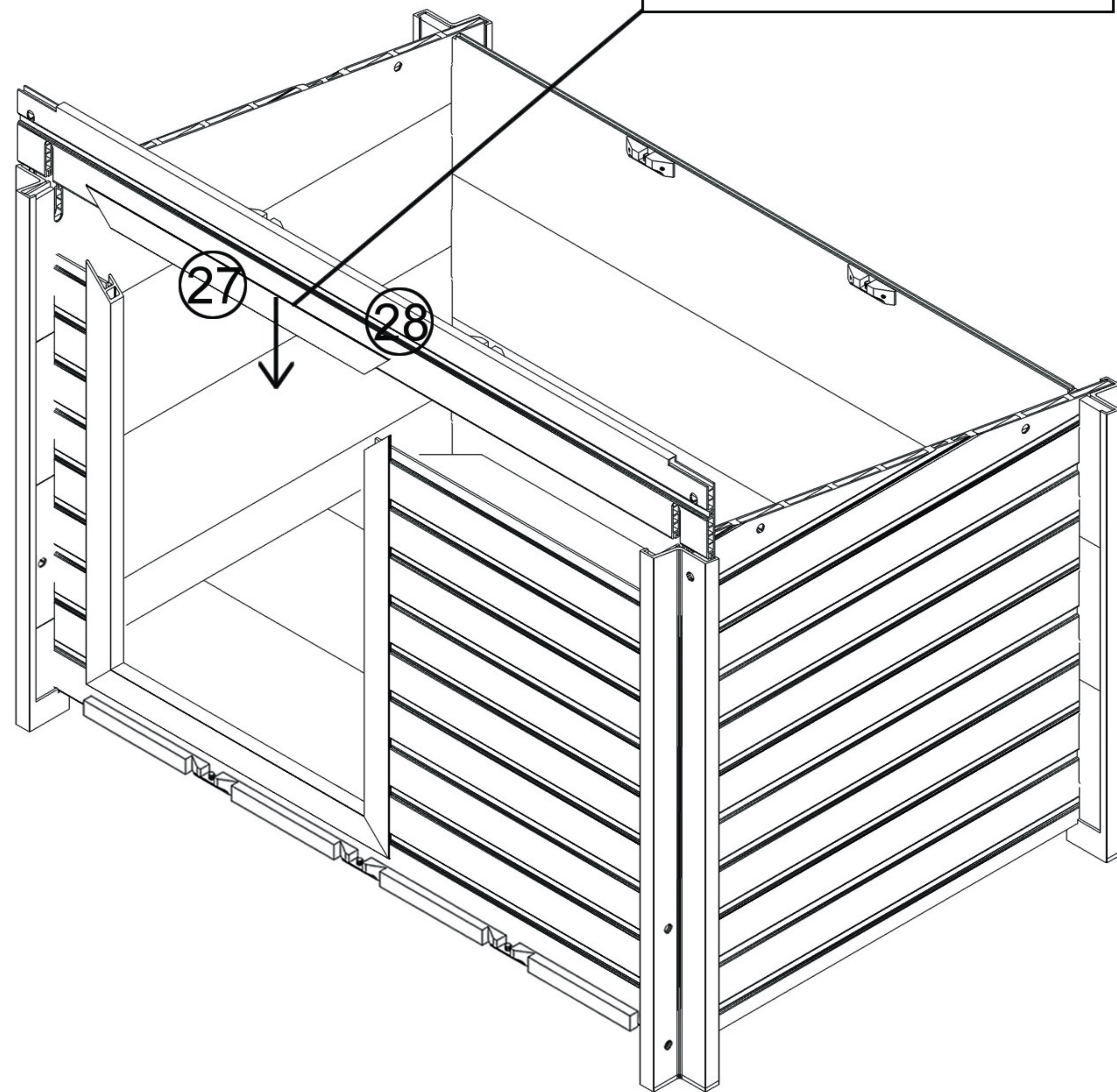




# Step 20.

---

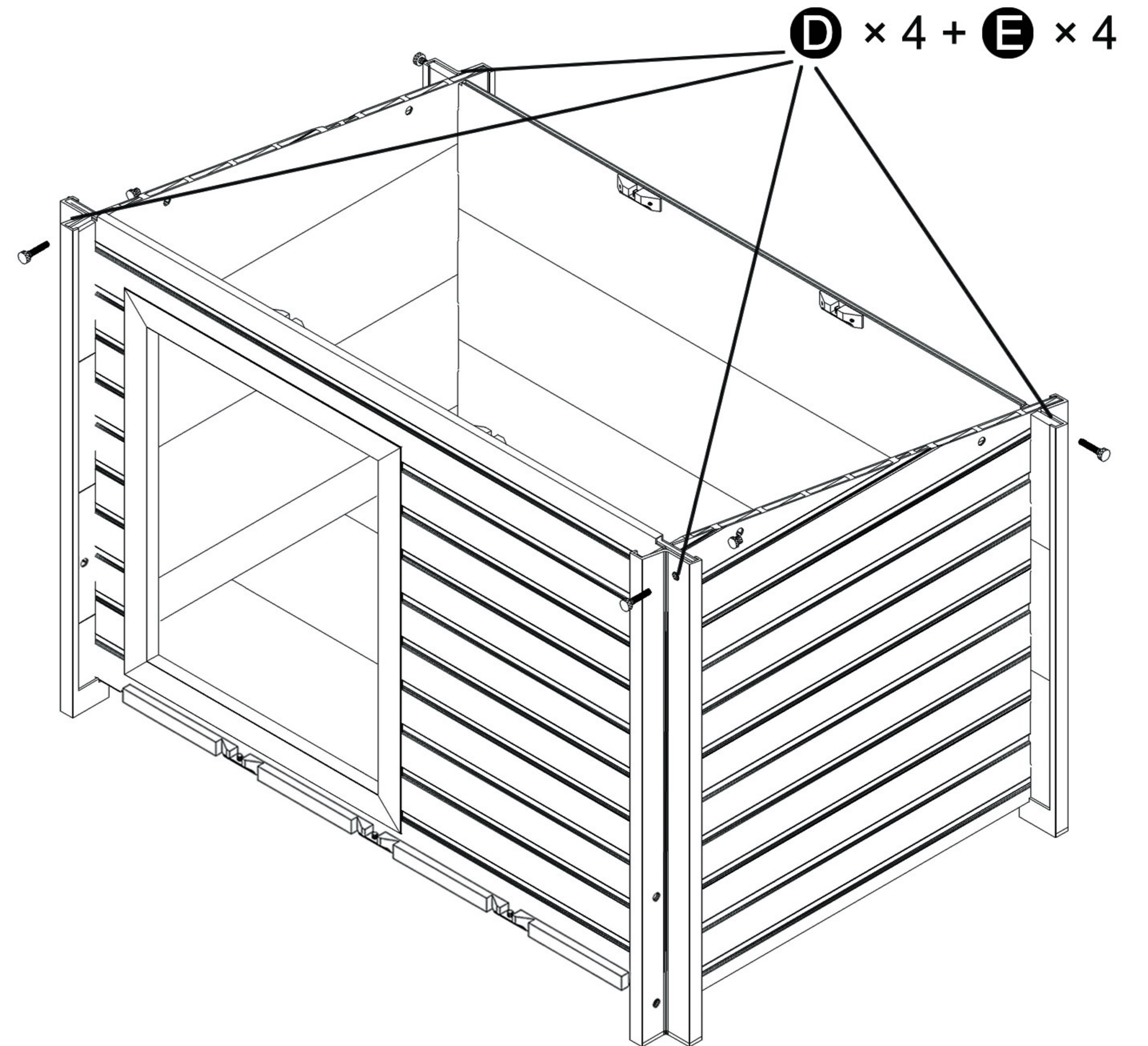
Hold door frame (27) and wall panel (28) together, insert wall panel (28) into place.



# Step 21.

---

Note: If available, use screws with matching color as the corner posts.

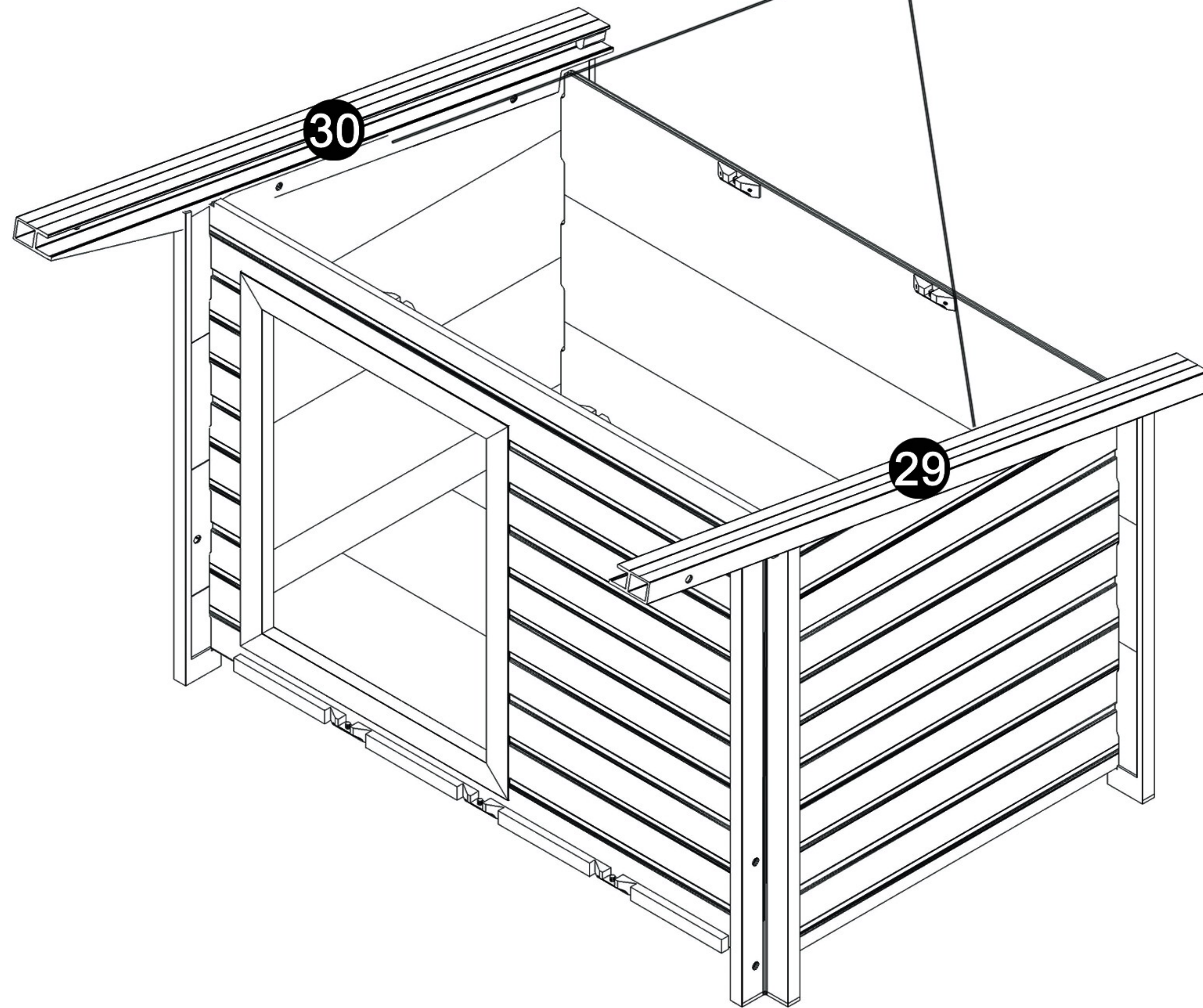




# Step 22.

---

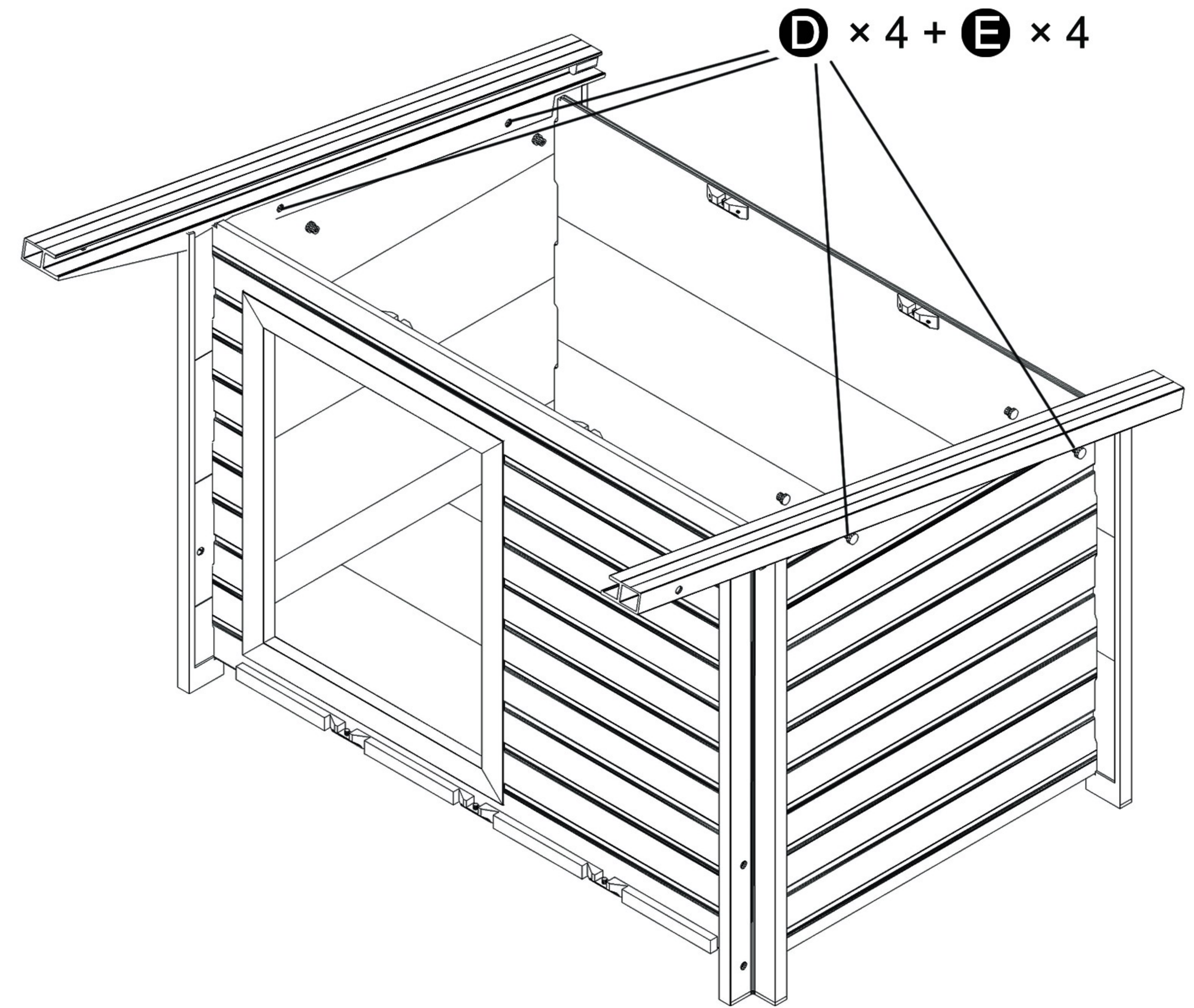
Parts ②⑨ and ③① should be installed with the flange attaching to the inside of the wall panels.



# Step 23.

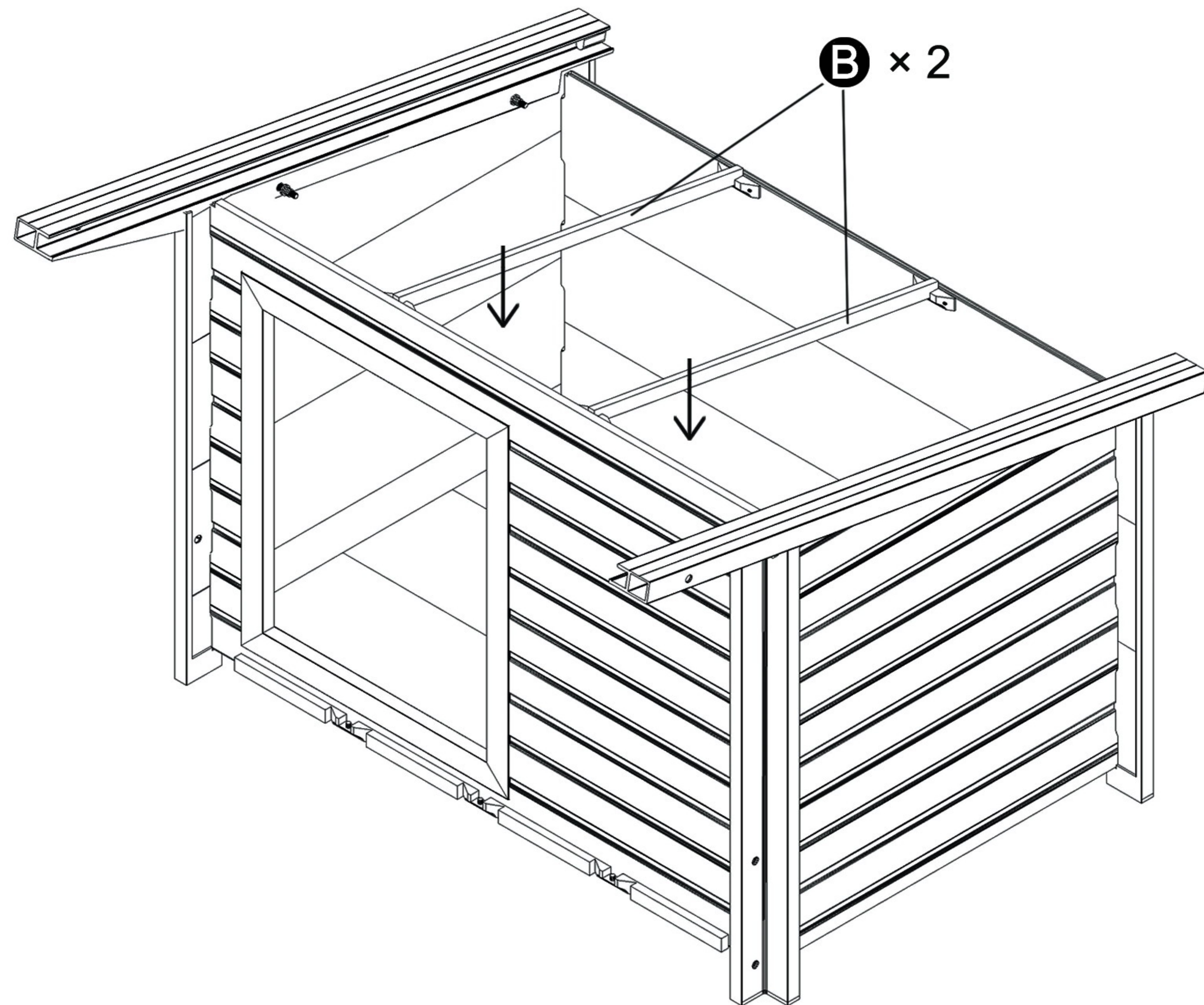
---

Note: If available, use natural wood color screws to match the wall panels.



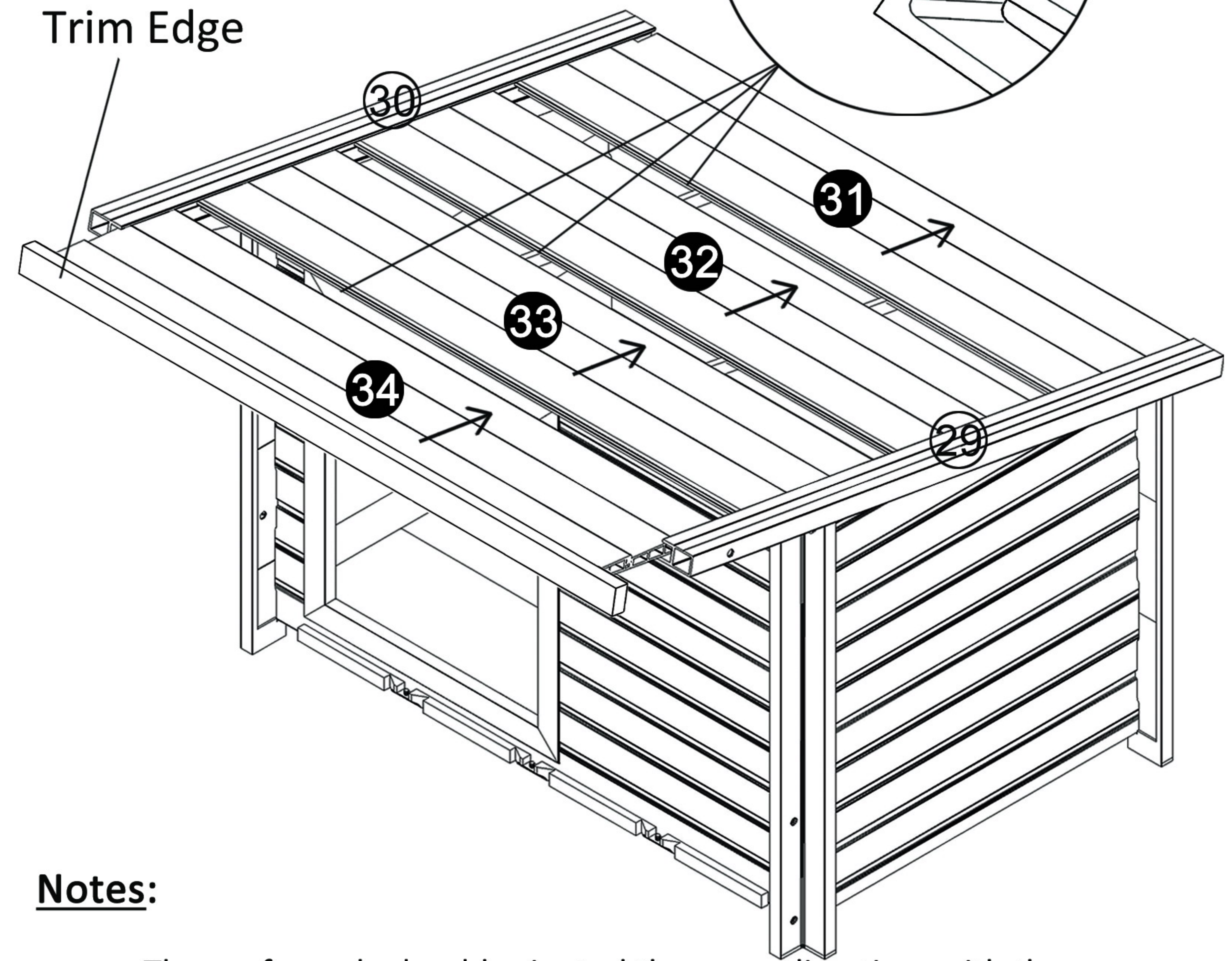
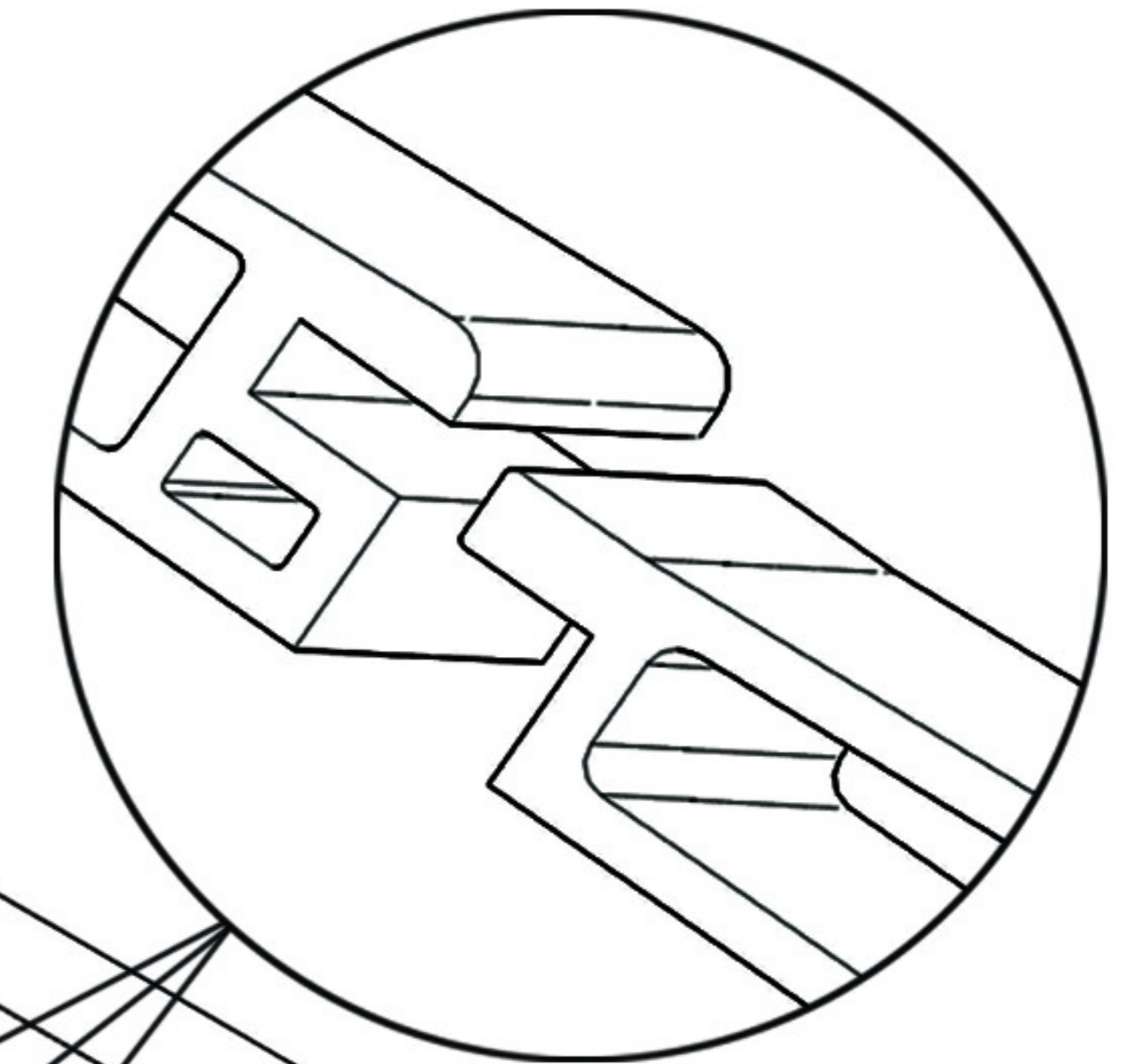


# Step 24.



# Step 25.

Insert the edge of Part (31) with the corner cutouts first.



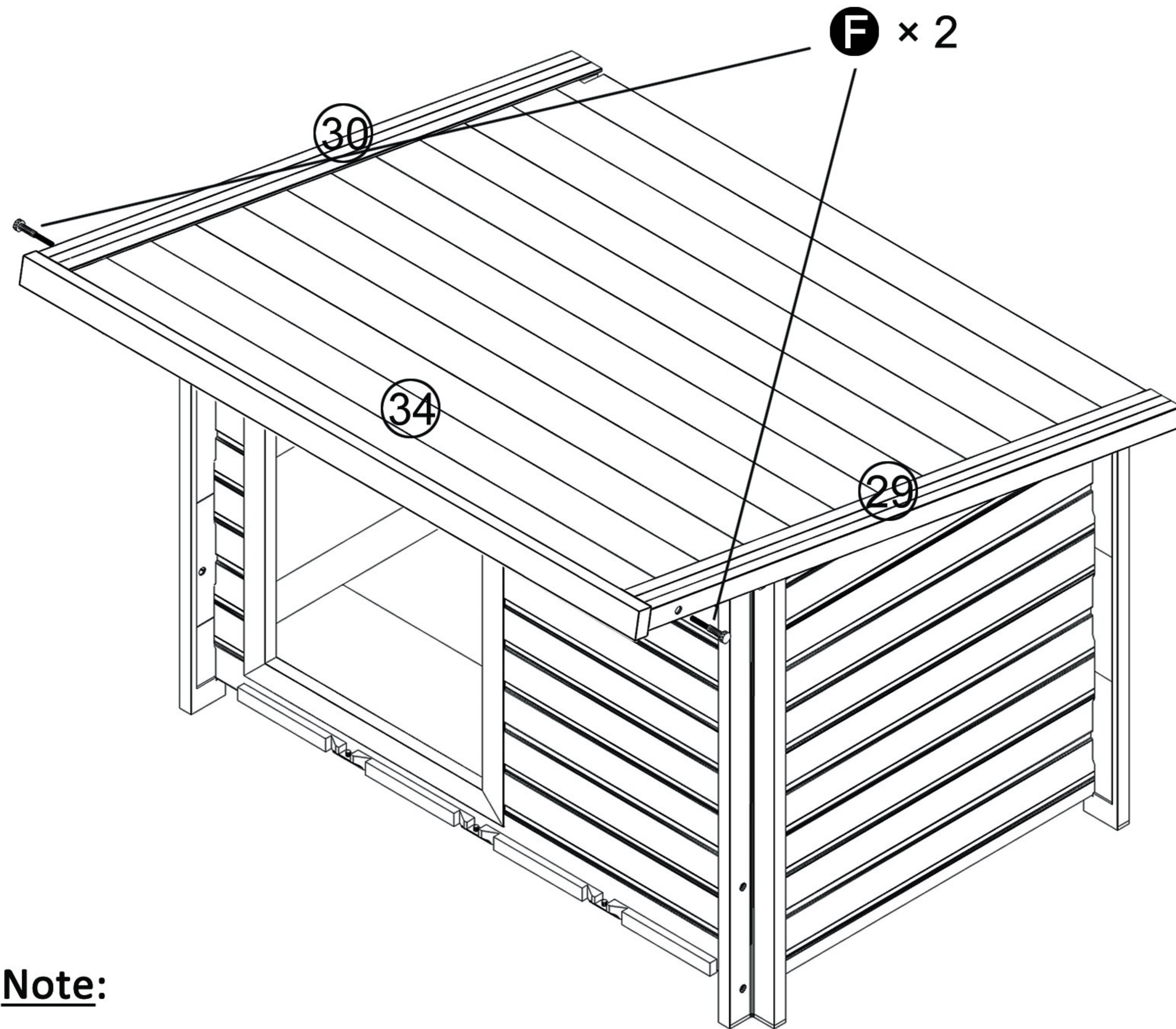
## Notes:

- The roof panels should be oriented the same direction, with the groove edge of the panel facing the back of the house.
- The tongue in Panel (32), (33) and (34) should be FULLY inserted and covered by the groove in Panel (31), (32) and (33), respectively.
- When properly assembled, the trim edge of Panel (34) should sit against the end of Roof Side Rails (29) and (30). If not, check and make sure the above are done correctly.



# Step 26.

---

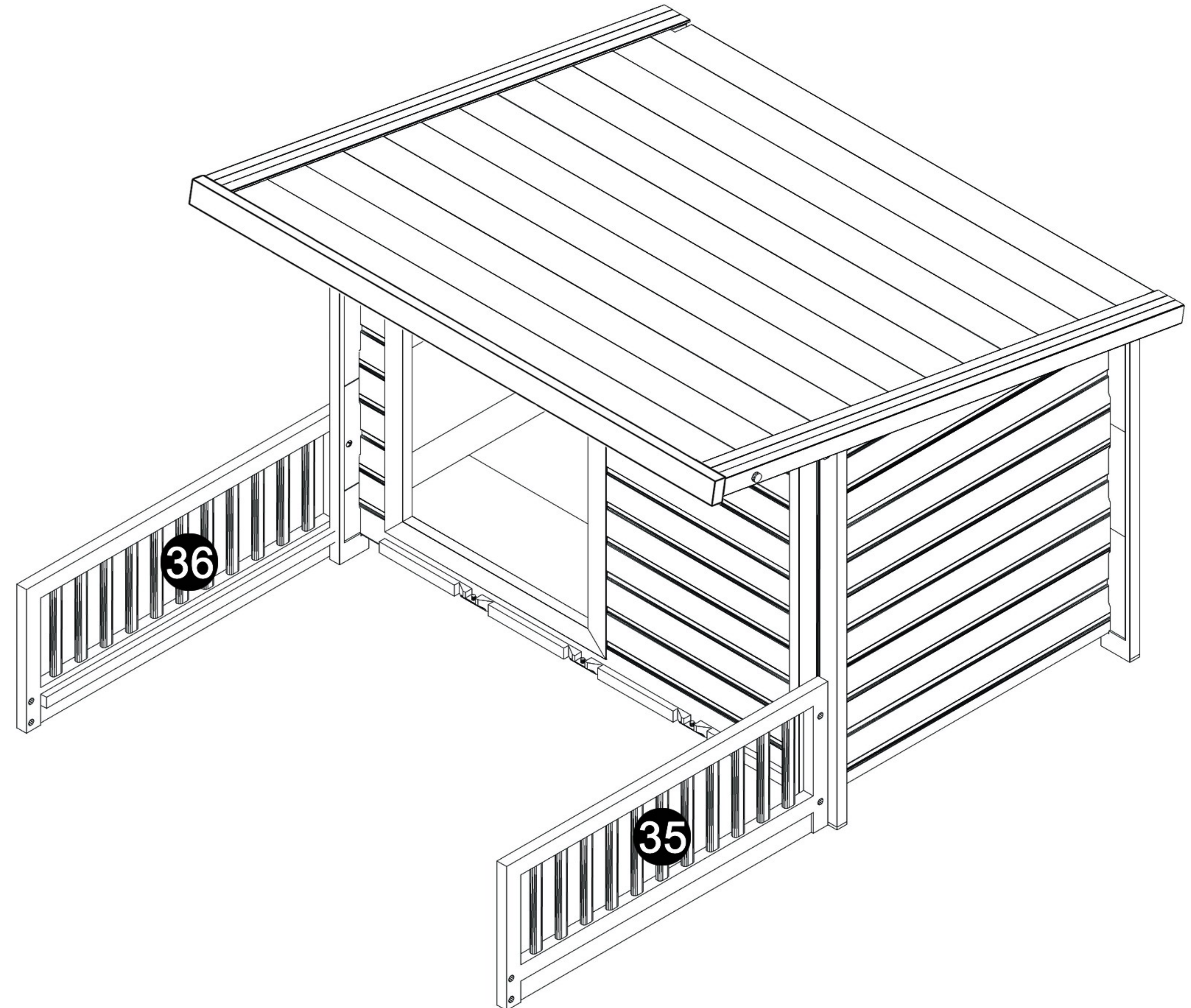


**Note:**

If (F) does not screw in easily, or pushes the Roof Side Rail (29) and/or (30) away from Roof Panel (34), re-assemble the roof panels and make sure all roof panels are FULLY engaged (see note for 25).

# Step 27.

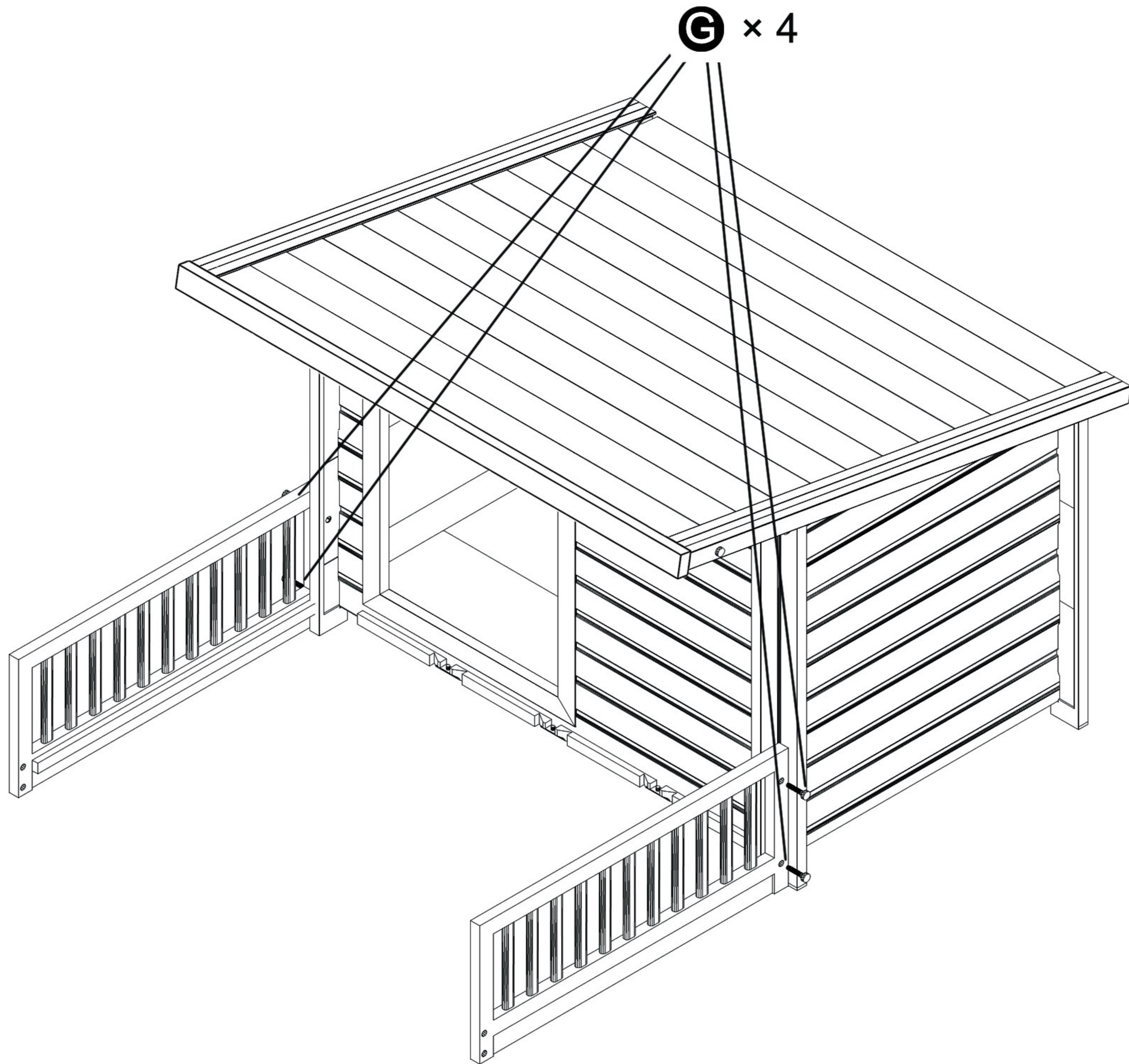
---





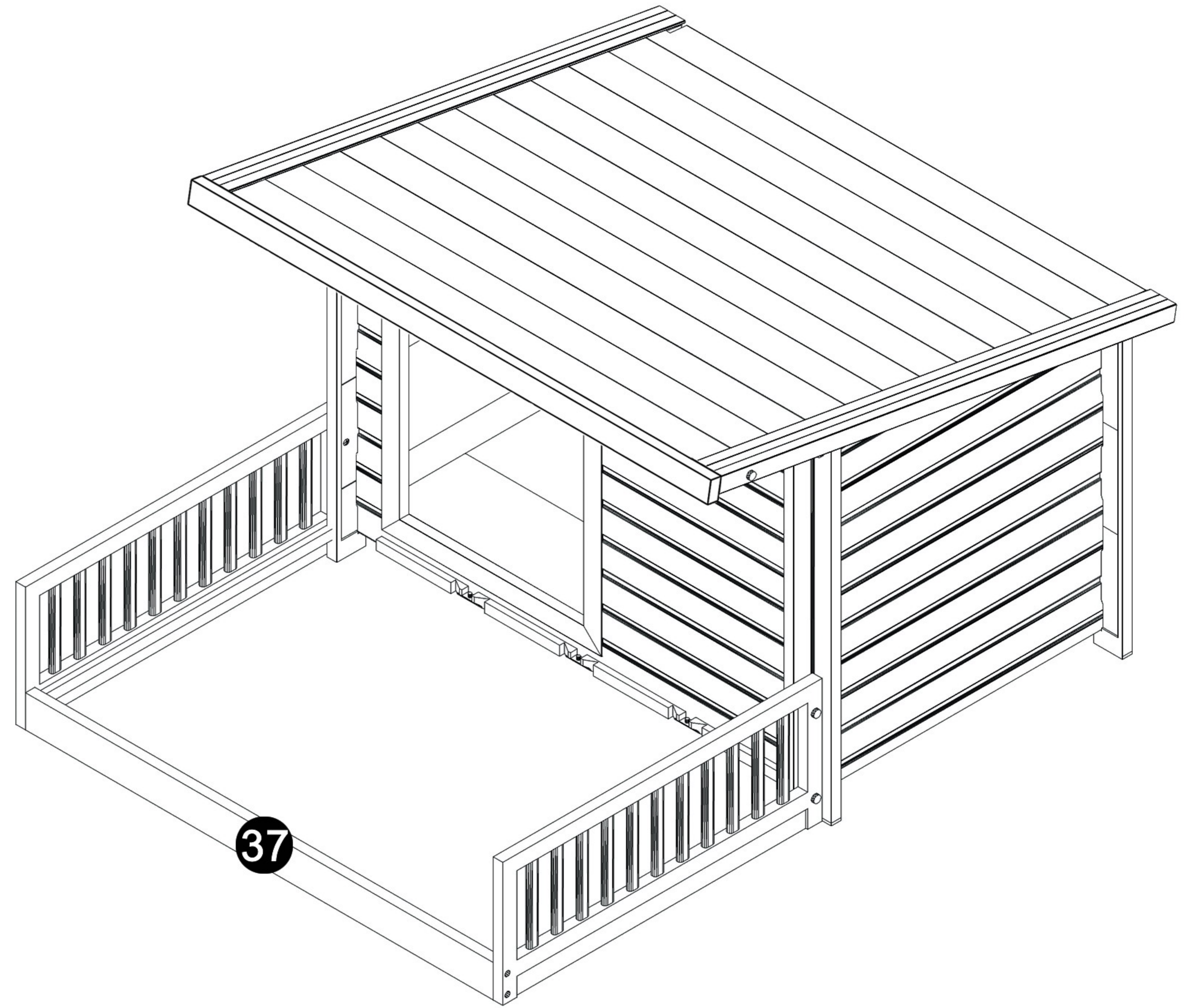
# Step 28.

---



# Step 29.

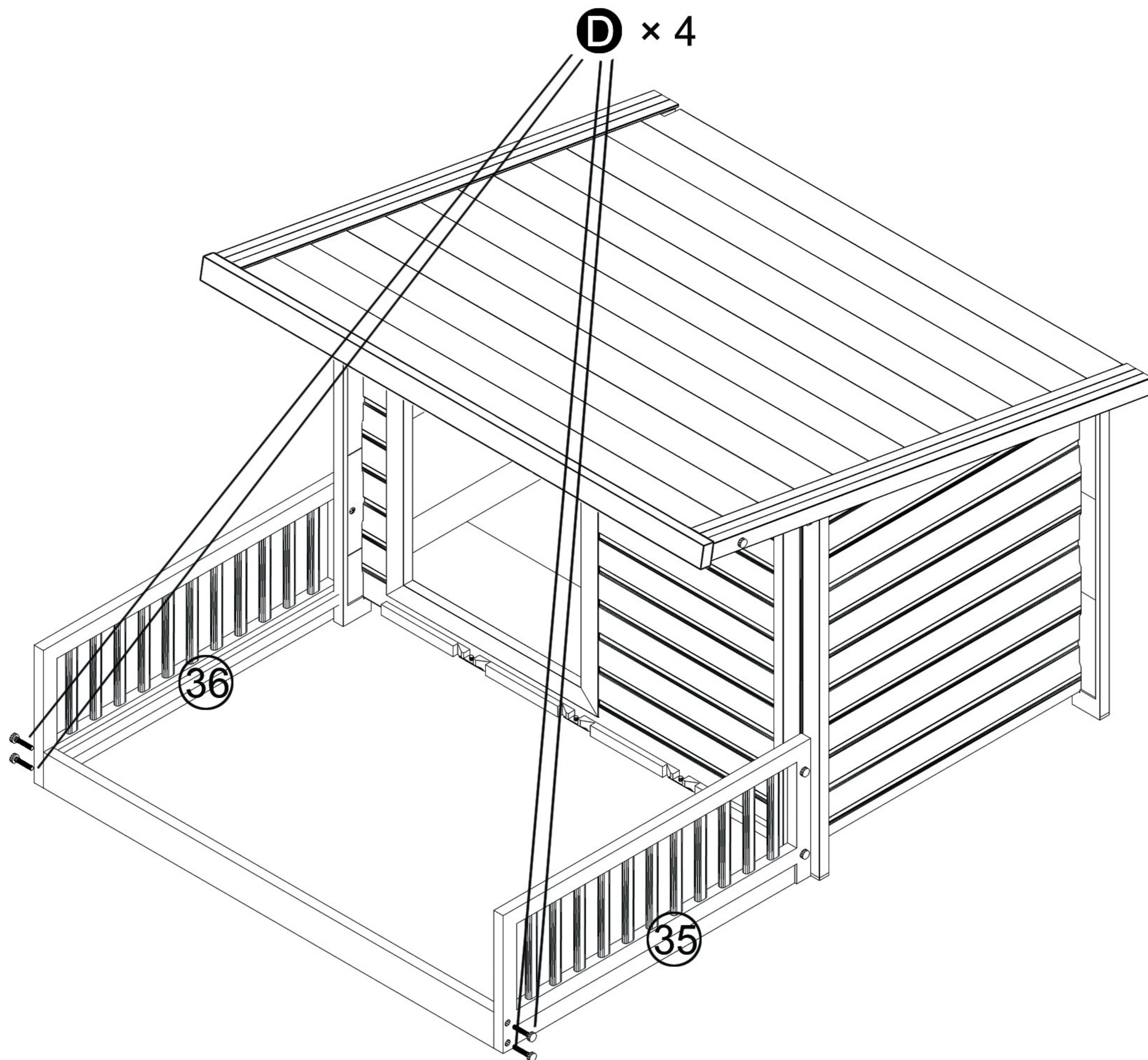
---





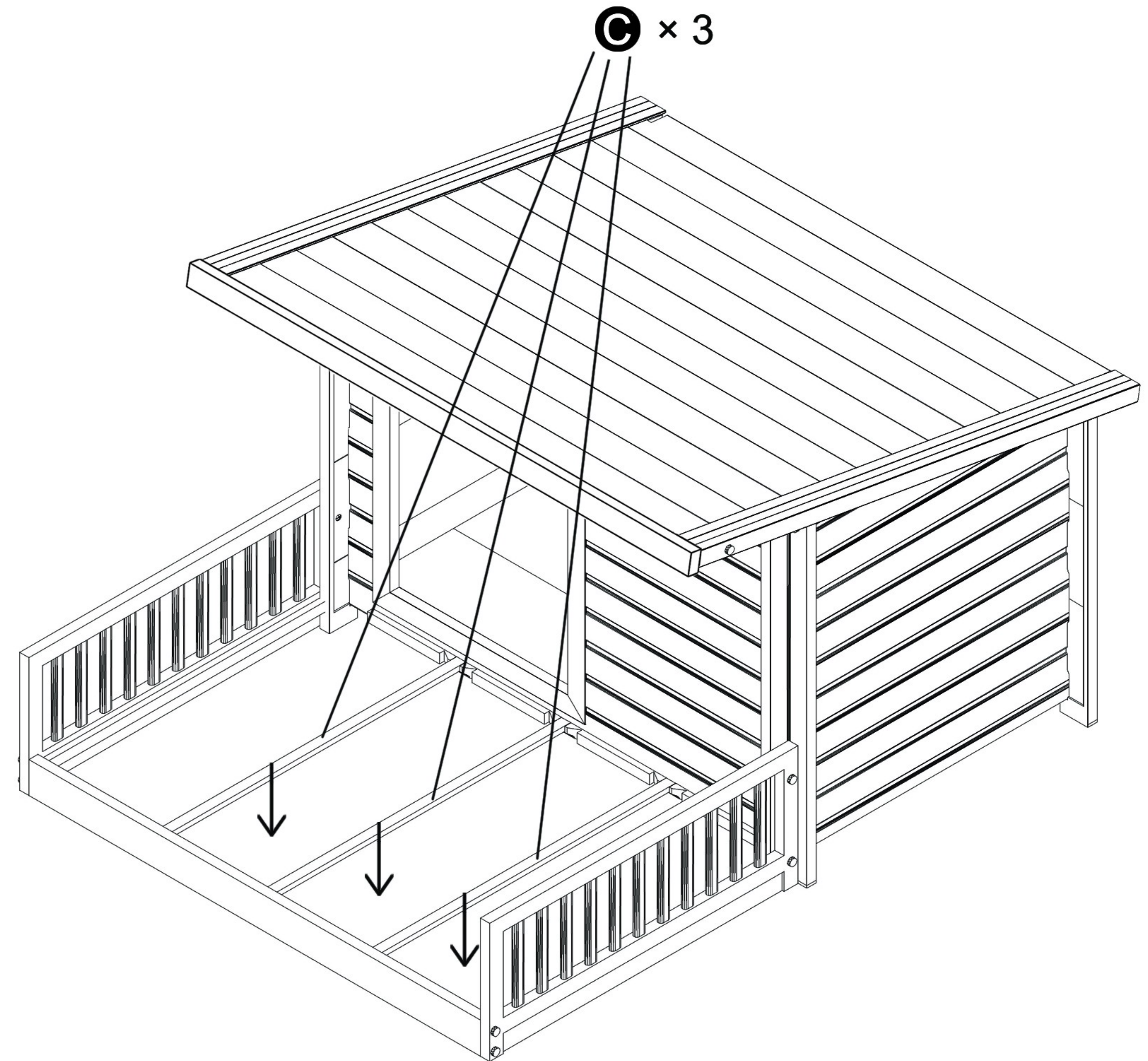
# Step 30.

---



# Step 31.

---

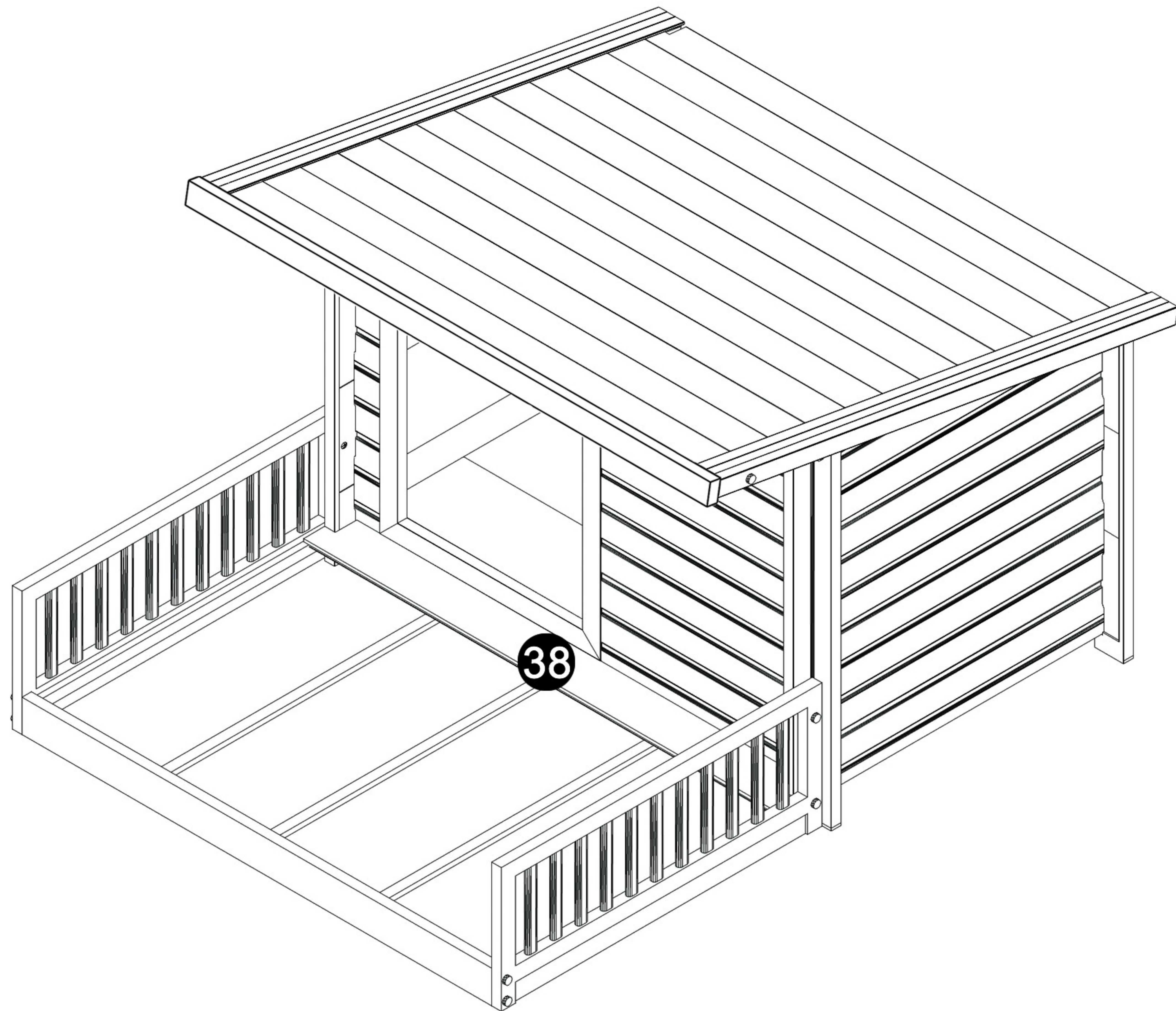


Note: If available, use screws with matching color as the patio side rails (35) and (36).



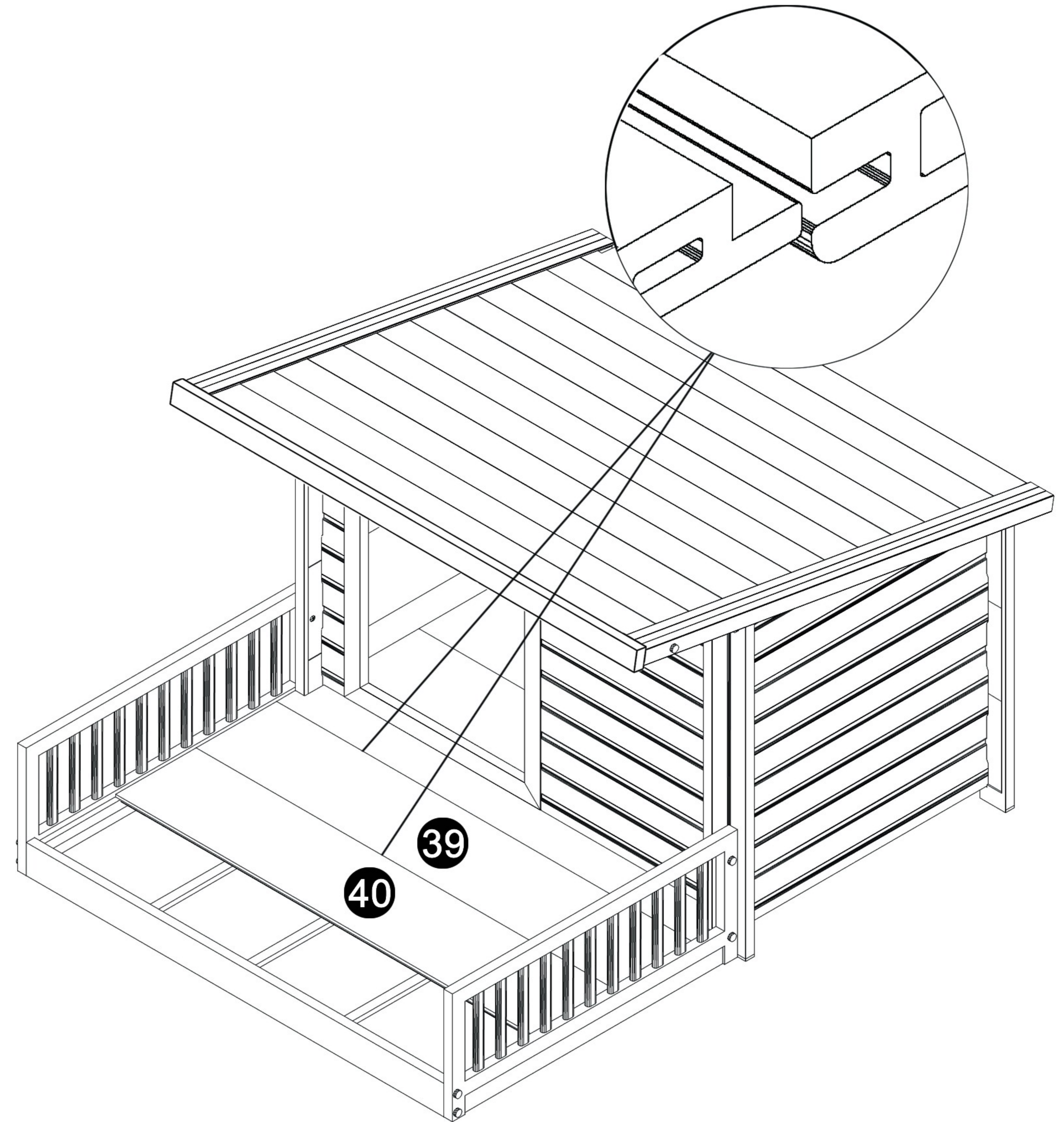
# Step 32.

---



# Step 33.

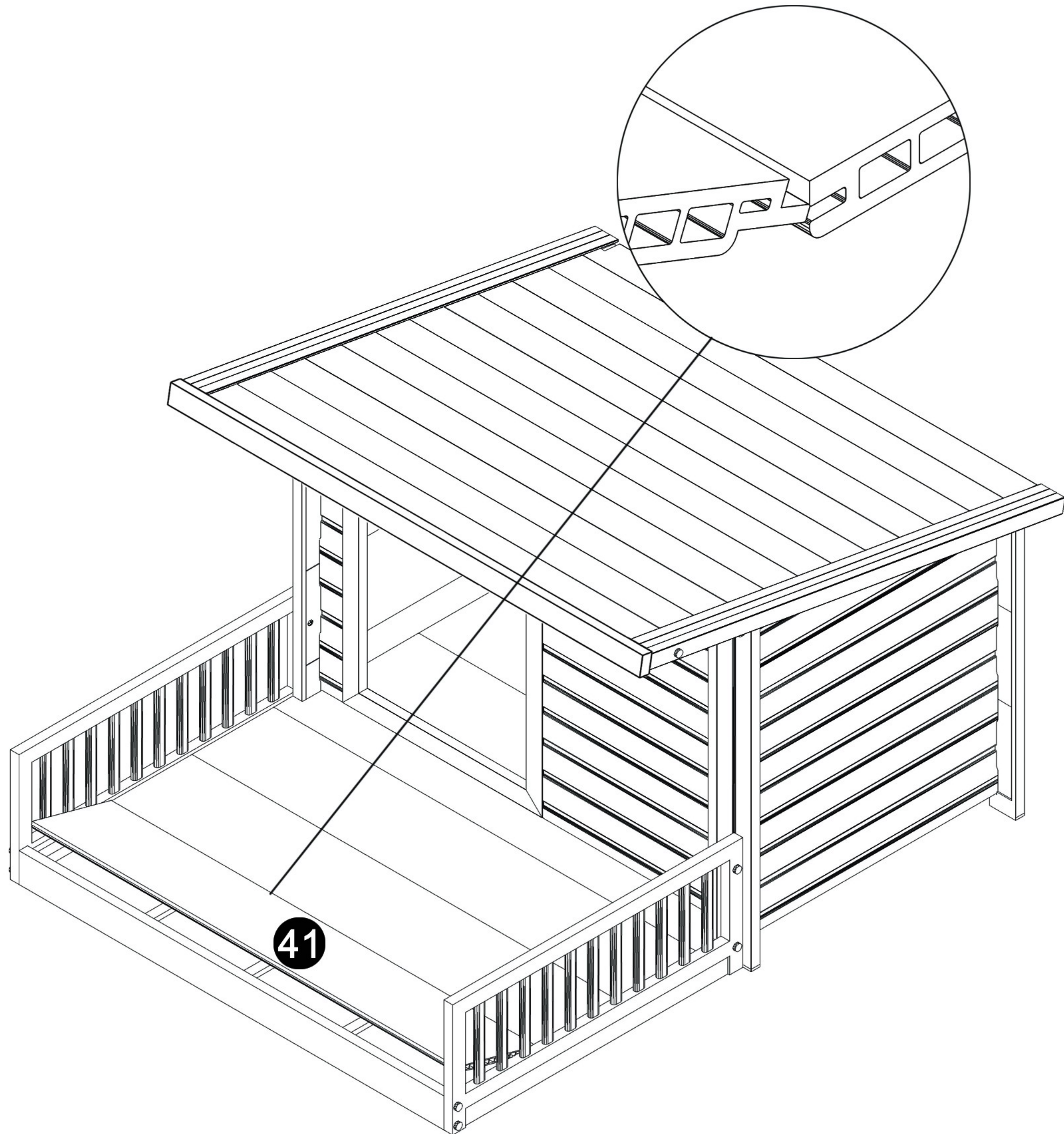
---





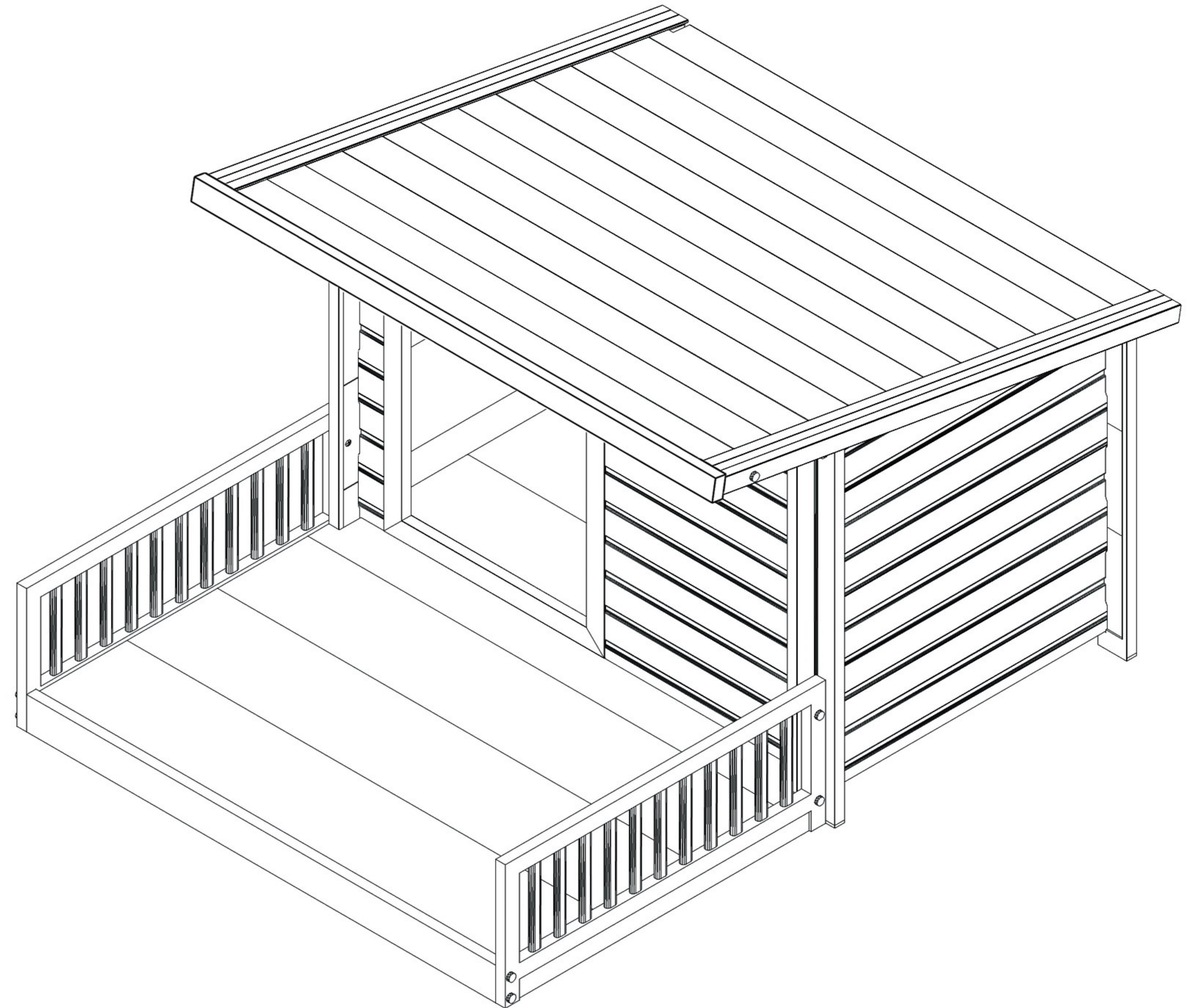
# Step 34.

---



# Complete

---





## Cleaning Instruction

It is very important to keep the dog house clean for the benefit of your beloved pet. The Easy to Assemble design of all NewAgePet homes will be appreciated when it is time to clean your pet's home.

Remove one piece or more roof panels by reversing steps 26 & 25 of the assembly instruction. You now have access to the entire inside of the house.

We recommend using a detergent with grease cutting capabilities and safe to use around you, your kids and your pet. After washing, rinse and then wipe down the panels. Don't forget to clean the inside of the roof panels. Allow the interior to air dry thoroughly and reassemble.

Once the house is clean and dry, re-assemble the roof panels.

## Painting Instruction

- ➔ Tape off all pins/connectors and holes slots. Be sure to keep paint off and out of these areas to make assembly easy.
- ➔ Prime all surfaces that you want to paint with a primer that is to be used with exterior latex paint. Priming is not a requirement but it is highly recommended. It will provide better coverage when you apply the paint and your paint job will last longer and look better.
- ➔ After the primer has dried – check the instructions on the primer to determine the time between application of the primer and when it is ready for paint – apply a minimum of 2 coats of a good to better quality exterior latex based paint.
- ➔ You can paint the roof and side panels different colors. As well, the vertical stiles can be a different color than the horizontal field. If you are going to paint, get creative!
- ➔ Allow the panels to DRY COMPLETELY before you assemble the house.

## Staining Instruction

- ➔ Tape off all pins/connectors and holes slots. Be sure to keep paint off and out of these areas to make assembly easy.
- ➔ Use a good to better quality oil based stain for the job. Let the stain set for about 5-7 minutes and wipe off the excess stain. If the color is lighter than the effect you are looking for repeat until you get the color you want.
- ➔ Allow the panels to DRY COMPLETELY before you assemble the house.



