



STACK-RACK

SPACE SAVING GENESIS STACK-RACK

Install two Genesis boilers in the footprint of one!
Up to 5 Million BTU's!

Install four Genesis boilers in the footprint of two!
Up to 10 million BTU's!

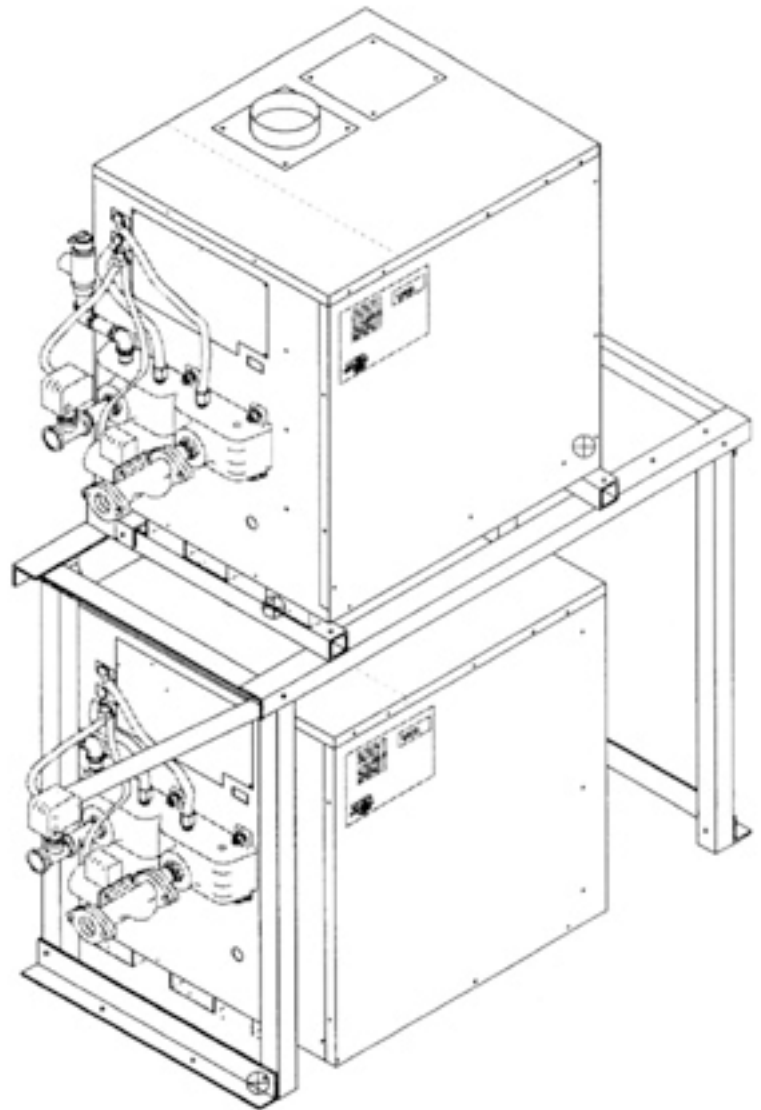
Saves valuable floor space!

Get the fire power you need in those tight hard to fit boiler rooms!

Sturdy - The Stack-Rack is made of heavy angle and tubular steel. It is designed to be a sturdy and stable platform for the top mounted boiler. The upper boiler is mounted using heavy clamps that lock and bolt the upper boiler into position. The entire rack can be bolted to the boiler room floor for maximum stability.

Factory Paint - The Stack-Rack is factory painted with the same durable powder coat finish as the Genesis Boiler, and will remain rust free for years, even in those harsh boiler room atmospheres.

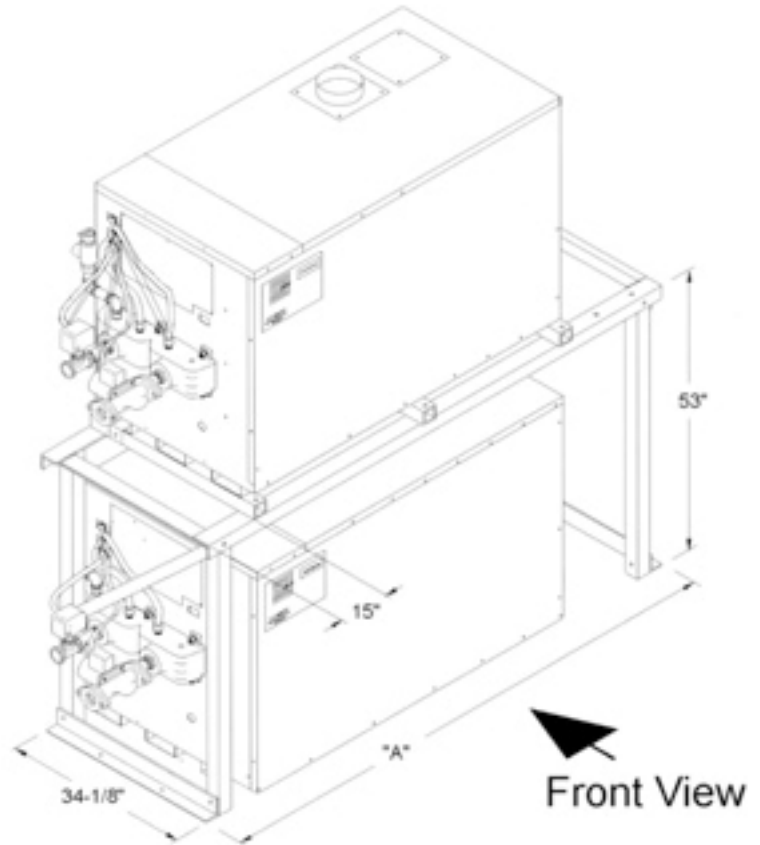
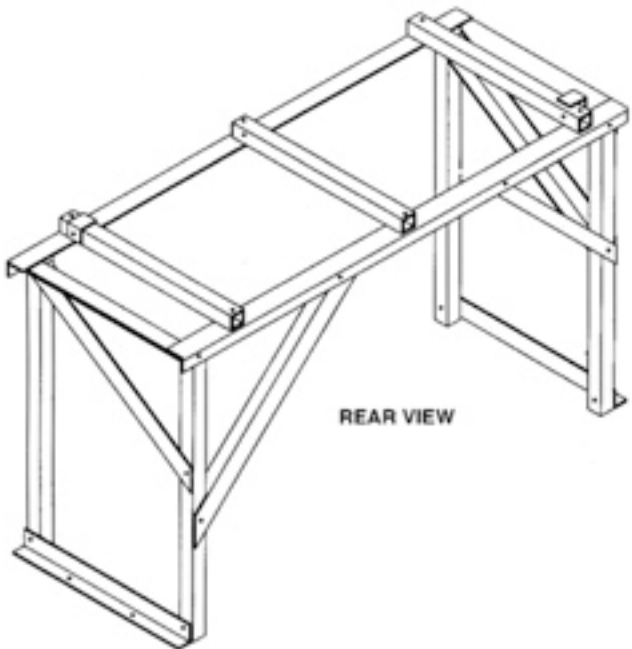
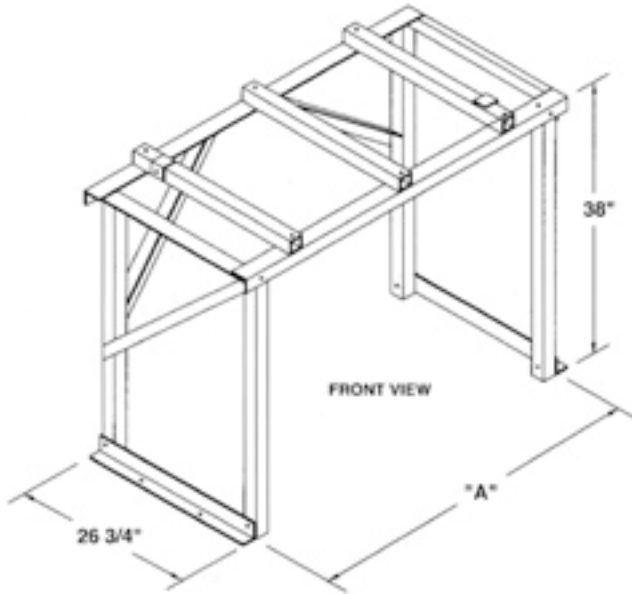
Easy Assembly - The Stack-Rack is shipped as a kit for field assembly and includes step-by-step instructions. Each part is clearly labeled, pre-cut and pre-drilled for easy assembly.



STACK-RACK ASSEMBLY

**GENESIS MODELS
GB/GW-300 THRU GB/GW-750**

**GENESIS MODELS
GB/GW-1000 THRU GB/GW-2500**



Boiler Models	Stack Rack Part Number	A
GB/GW-300 thru 400	9003676001	53-1/4
GB/GW-500 thru 750	9003676000	75

Models	Stack Rack Kit Part Number	"A" Dimn.
GB/GW-1000, 1300	9003681000	75
GB/GW-1500, 1850	9003681001	95
GB/GW-2100, 2500	9003681002	116