

# Home Care Technical Specification

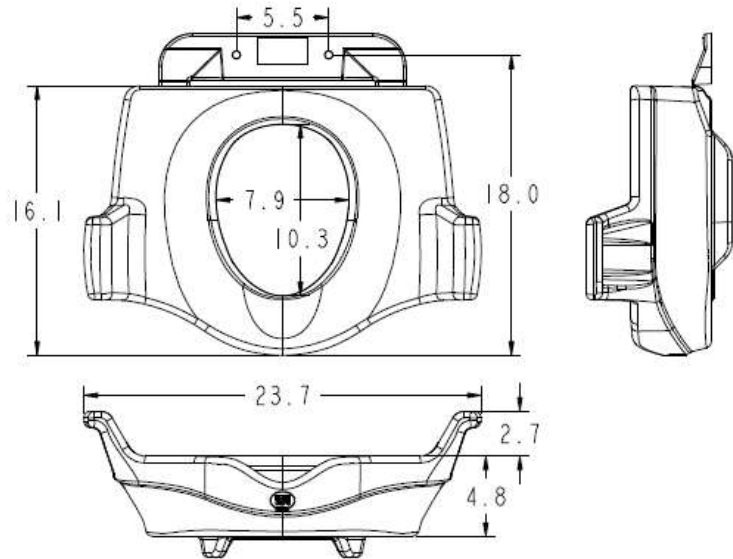
## Elevated Toilet Seat with Support Handles

# DN8070

### Stock Numbers:

- **DN8070 – Elevated Toilet Seat**  
White molded seat designed to be easily removable from bracket without using any tools while keeping existing seat cover useable after removal.

### Dimensions:



### Materials:

ASSEMBLY TESTED  
TO CONFIRM ADA  
COMPLIANCE



**Elevated Toilet Seat** is made from high-density polyethylene. Bracket is made from polypropylene. Nuts and bolts are nylon.

### WARNING

TO PREVENT SERIOUS OR FATAL INJURY: Insure product is assembled, installed, adjusted and used properly. FOR USE ONLY BY PERSONS WEIGHING LESS THAN 300 POUNDS. Plastic inner rim of seat must fit inside of porcelain toilet bowl rim. If seat can rock from side to side, do not use. Do not tip seat. Sit on and leave seat from front, not from side. When seated, do not lean to either side of seat without proper balancing. Do not jump or stand on seat. Contact CSI immediately at 1-800-882-0116 if any components are missing or damaged. Do not modify or substitute any components. FOR QUESTIONS OR ASSISTANCE WITH ASSEMBLY OR INSTALLATION CONTACT CSI AT 1-800-882-0116. Consult healthcare professional for advice and instructions specific to user's need before use.

### Installation Instructions:

Assembly diagram included in package.

**Stock Number:** \_\_\_\_\_ **Elevated Toilet Seat**  
**By Creative Specialties**



25300 AL MOEN DRIVE • NORTH OLMSTED, OH 44070  
CORPORATE HEADQUARTERS: (800) 321-8809 • FAX: (800) 848-6636  
INTERNATIONAL: (440) 962-2000 • FAX: (440) 962-2726  
CUSTOMER SERVICE (USA): 800-882-0116 • FAX: (888) 379-2720  
WWW.MOEN.COM

©Copyright Creative Specialties International

Literature #BA1690