

HUMBLE+HAUTE

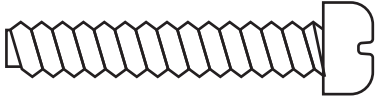

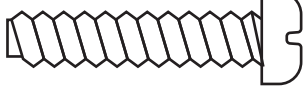



Humble + Haute is a domestic manufacturer of upholstered headboards. Our products are hand crafted one at a time with great attention paid to every detail and the overall quality. We strive to produce on trend looks at a price that is competitive at every level of the marketplace. We hope you enjoy your new headboard and the beauty it will bring to your room. Visit us at HumbleHaute.com!

Headboard Assembly Instructions

This headboard is designed to give seven different height settings to work with almost any thickness of mattress/box spring combination. Below is a list of parts included. The only part you will need that is not included is a Phillips Screw Driver.

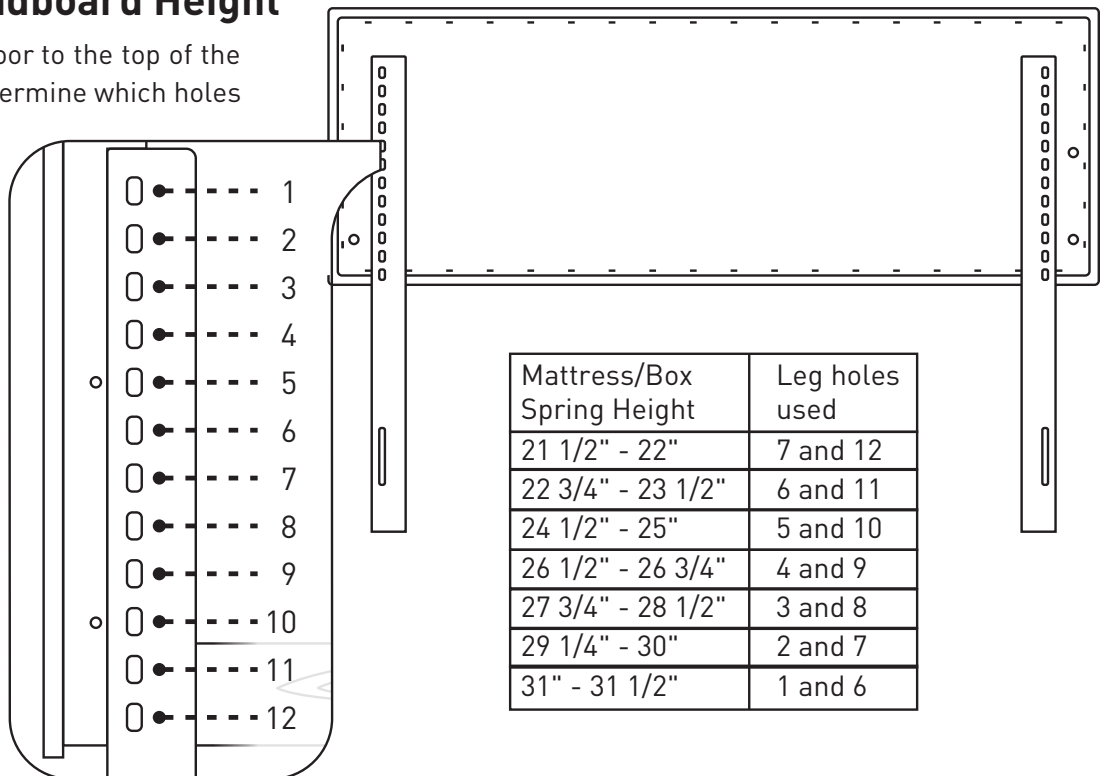
Parts Included

If parts are missing, please email info@humblehaute.com or call 972-386-3332

4 pcs - 5/16 x 1 1/2" Bolts Part A		4 pcs - Lock Washer Part B	
4 pcs - 1/4 x 1 1/4" Bolts Part C		12 pcs - Flat Washer Part D	
2 pcs - Wood Legs Part E		4 pcs - Nut Part F	

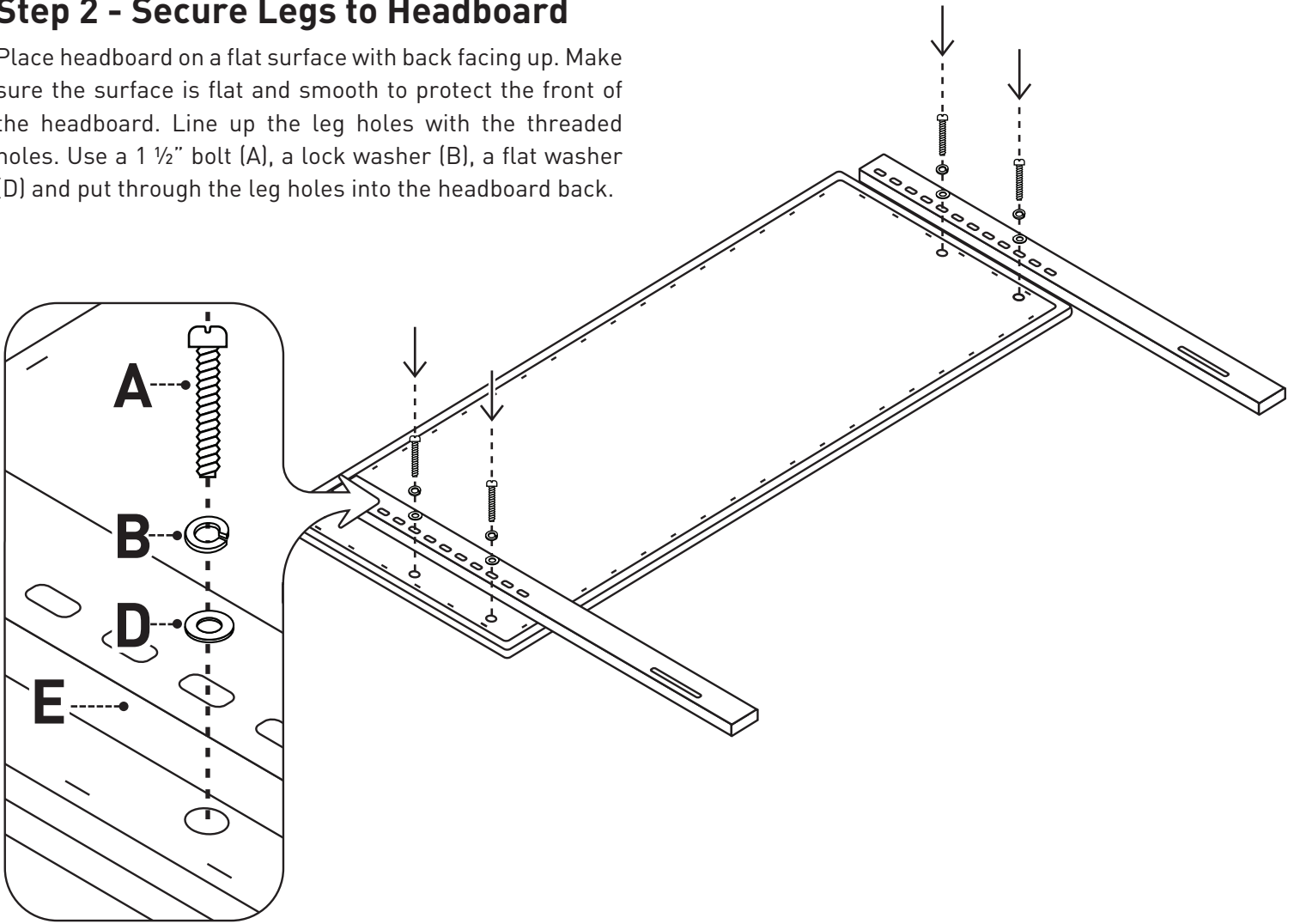
Step 1 - Determine Headboard Height

Measure your mattress from the floor to the top of the mattress. Use the chart below to determine which holes on the legs to use that will work best for your mattress height. If your mattress height falls between these measurements use the lower mattress height setting so the headboard will be slightly lower than your mattress when assembled. Line up the holes on the leg with the holes on the headboard. The image is an example for a 24 1/2" - 25" (5 hole and 10 hole) mattress height.



Step 2 - Secure Legs to Headboard

Place headboard on a flat surface with back facing up. Make sure the surface is flat and smooth to protect the front of the headboard. Line up the leg holes with the threaded holes. Use a 1 ½" bolt (A), a lock washer (B), a flat washer (D) and put through the leg holes into the headboard back.



Step 3 - Secure Assembled Headboard to Bed Frame

Place the headboard against the desired wall in your room. Line up the bed frame with the long slots in the headboard legs (E). Using the 1 ¼" bolt (C), 2 flat washers (D) and a nut (F), secure the frame using two of the holes/slots in the bed frame for maximum stability.

