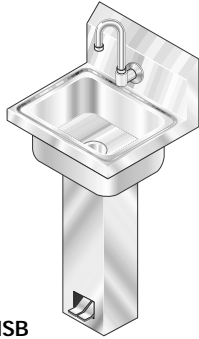
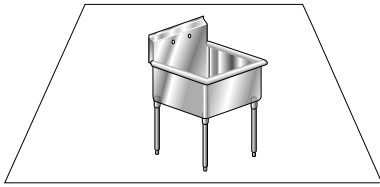




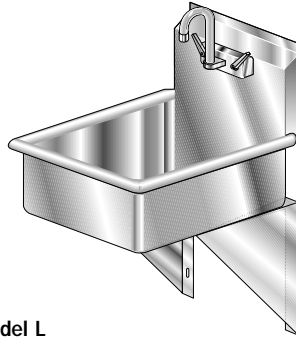
# HAND SINKS

## LAVATORY, KNEE VALVE & DROP IN

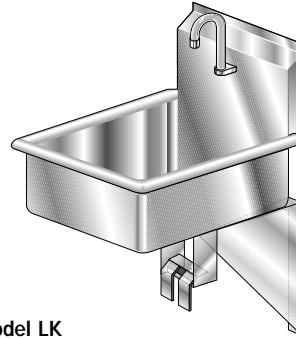
Item# \_\_\_\_\_ Project \_\_\_\_\_



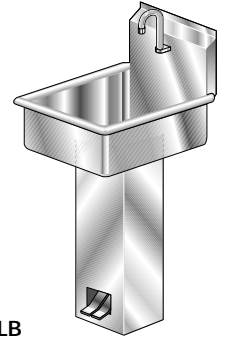
**Model HSB**  
Includes Spout,  
Basket, Foot Pedals



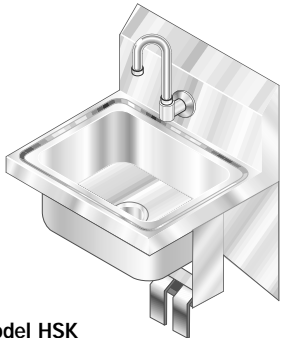
**Model L**  
21 X 16 X 8 Bowl, Wall Hung  
Includes Faucet, Basket



**Model LK**  
21 X 16 X 8 Bowl, Wall Hung  
Includes Knee Pedals,  
Gooseneck Spout & Basket



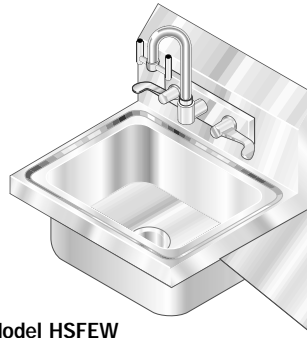
**Model LB**  
21 X 16 X 8 Bowl, Base Mount  
Includes Foot Pedals, Gooseneck  
Spout & Basket



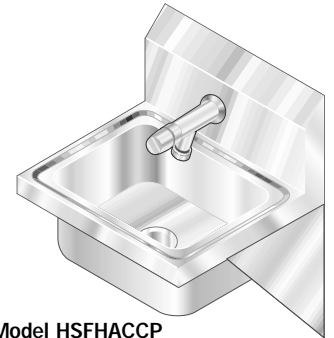
**Model HSK**  
Includes faucet, basket, Knee Valves,  
Gooseneck Spout & Basket



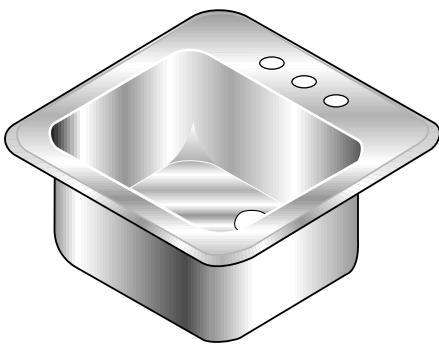
**Model HSKT**  
Includes Faucet, Basket, P-Trap,  
Knee Valves, Soap & Towel Dispenser,  
Gooseneck Spout, w/Overflow



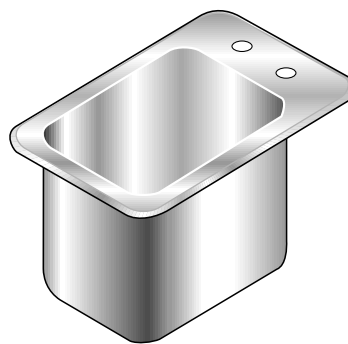
**Model HSEFW**  
Gooseneck Spout & Basket, with  
Eye wash attachment



**Model HSFHACCP**  
Includes HACCP approved metered  
faucet & Basket



**Model DIHS-5**  
Includes Gooseneck Faucet & Basket



**Model DIHS-10**  
Includes Gooseneck Faucet & Basket

## HAND SINK ACCESSORIES

Model #	Description
S-54	Soap Dispenser
S-55	Paper Dispenser
S-56	P-Trap
S-57	Wrist Handle (add on)
S-58	Wrist Handle & FCT (Repl.)
S-59	Metered Faucet
S-60	Knee Valves
S-61	Pedestal Base w/Foot Valve
S-62	Eye Wash Attachment
S-63	Hands-Free Wand
S-64	H.D. FCT Upgrade (T & S)
S-65	Replacement Faucet (CH)
S-66	Replacement Foot Pedals
S-67	Replacement Gooseneck
S-68	Side Splash One Side
S-69	Side Splash Two Sides
S-74	Drink Bubbler

email - sales@aeromfg.com

AERO MANUFACTURING COMPANY • 310 ALLWOOD ROAD, CLIFTON, NEW JERSEY 07012 • VOICE 973.473.5300 FAX 973.473.3794

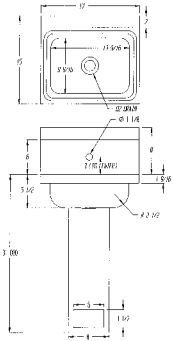
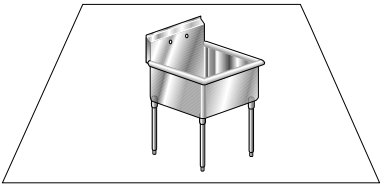
© Copyright 2001 Aero Manufacturing Company, Inc. Specifications subject to change without notice.

Page FS-2A

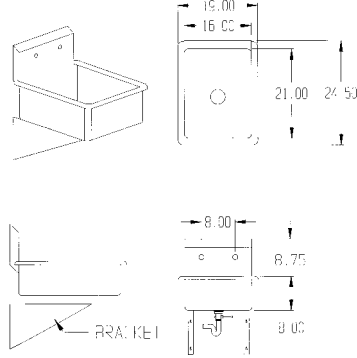


# DIMENSIONAL SPECIFICATIONS

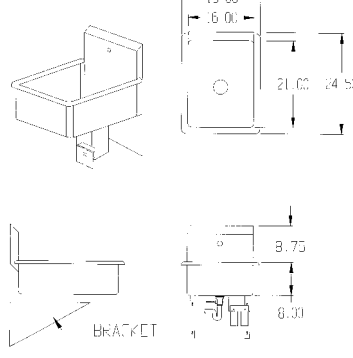
## LAVATORY, KNEE VALVE & DROP IN HAND SINKS



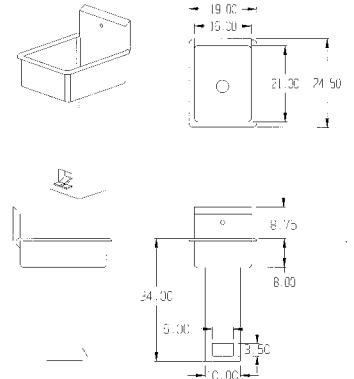
Model HSB



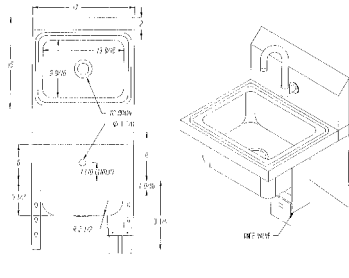
Model L



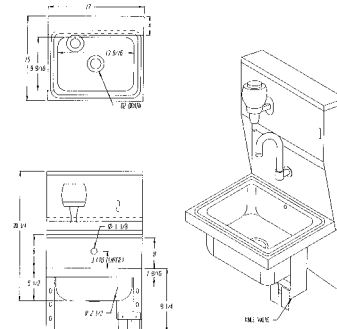
Model LK



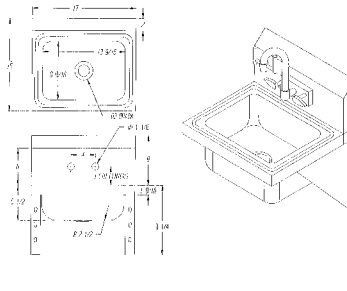
Model LB



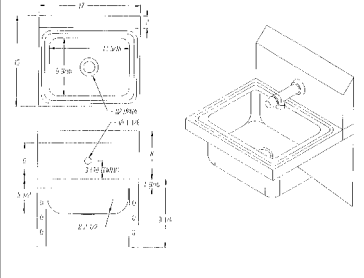
Model HSK



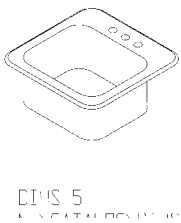
Model HSKT



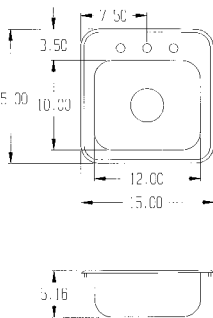
Model HSEFW



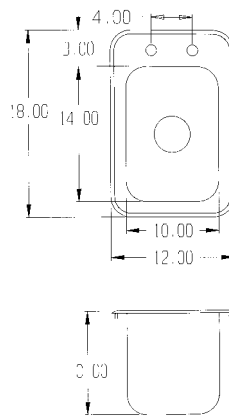
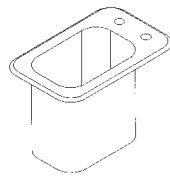
Model HSFHACCP



DIHS-5  
LAVATORY BOWL



Model DIHS-5



Model DIHS-10

## DIMENSIONAL SPECIFICATIONS

BOWL Width	BOWL Length	UNIT Width	UNIT Length	Model #	Ship Weight	Cubic Feet
10	14	15	17	HSB	30	4
21	16	24	19	L	25	4
21	16	24	19	LK	35	4
21	16	24	19	LB	50	4
10	14	15	17	HSK	25	2
10	14	15	17	HSKT	35	2
10	14	15	17	HSEFW	14	2
10	14	15	17	HSFHACCP	14	2
10	12	15	15	DIHS-5	20	2
14	10	18	12	DIHS-10	25	2

All dimensions are typical (tol.  $\pm 1/32"$ ). • For Accessories and Options see pages FS-7A, FS-7B.  
email - sales@aeromfg.com

AERO MANUFACTURING COMPANY • 310 ALLWOOD ROAD, CLIFTON, NEW JERSEY 07012 • VOICE 973.473.5300 FAX 973.473.3794