



# Titan II Split Top Drafting Tables

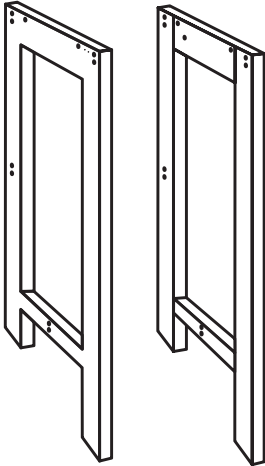
## Assembly Instructions

For WSB60

**Tools required:** Phillips screwdriver, awl, or drill with 1/16" bit.

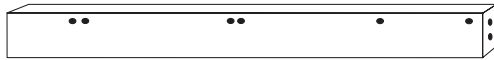
**Parts Included:**

**A** 2pcs



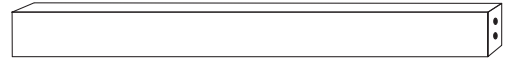
Side Frames, Left & Right

**B** 1pc



Upper Rear Crossbar (47 1/2" long)

**C** 1pc



Lower Rear Crossbar (47 1/2" long)

**D** 1pc



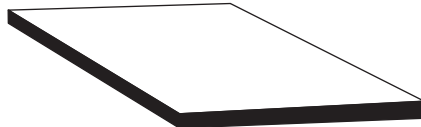
Front Crossbar (47 1/2" long)

**E** 1pc



Footrest Crossbar (48 1/2" long)

**F** 1pc



Fixed Top, 37 1/2" x 18"

**G** 16pcs



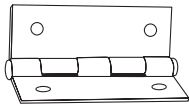
2" Allen Bolts

**H** 1pc



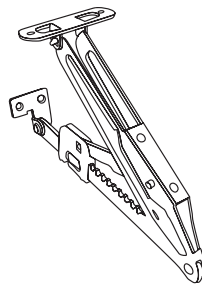
Allen Wrench Key

**I** 2pcs



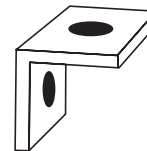
Hinges

**J** 2pcs



Tilt Mechanisms

**K** 4pcs



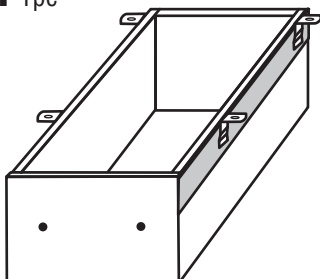
Angle Brackets

**L** 28pcs



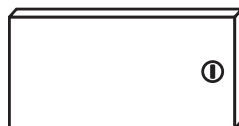
3/4" Phillips Screws

**M** 1pc



Drawer Unit

**N** 1pc



Drawer Face

**O** 2pcs

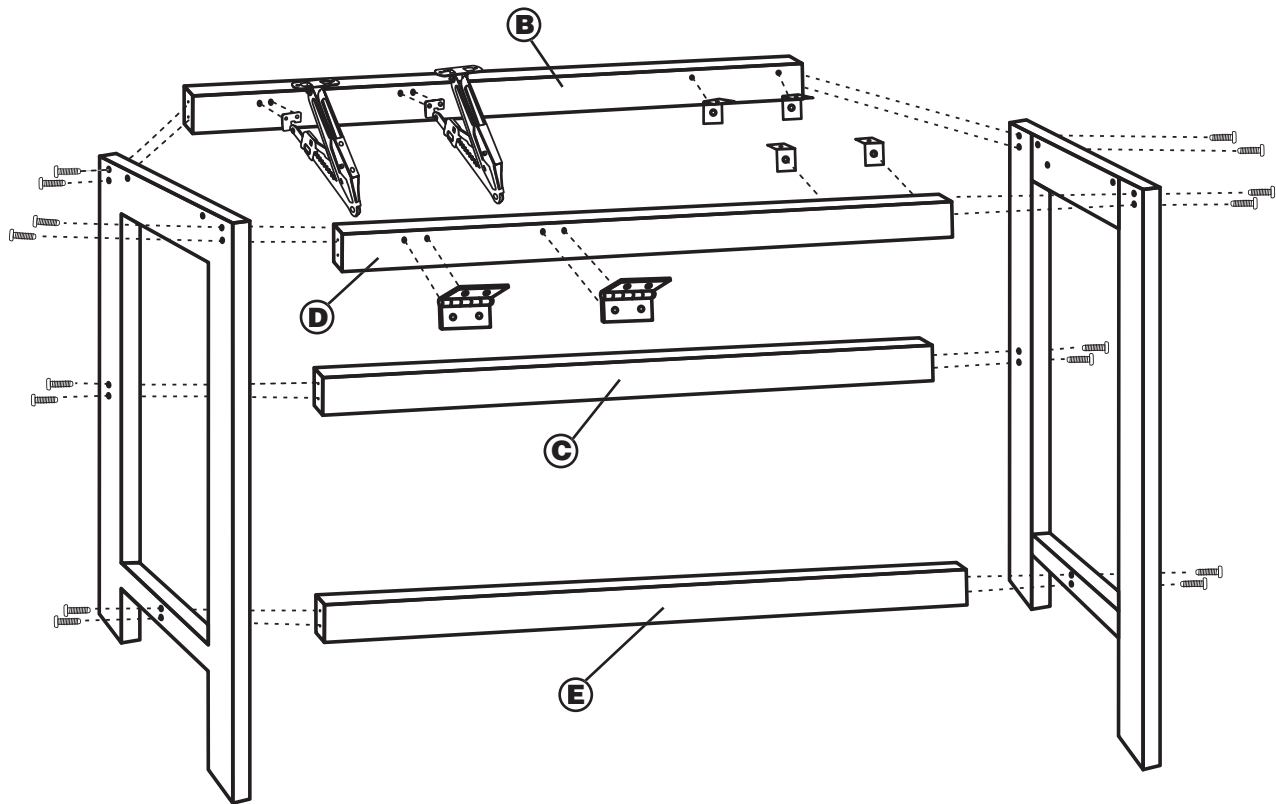


1" Phillips Screws

**P** 6pcs

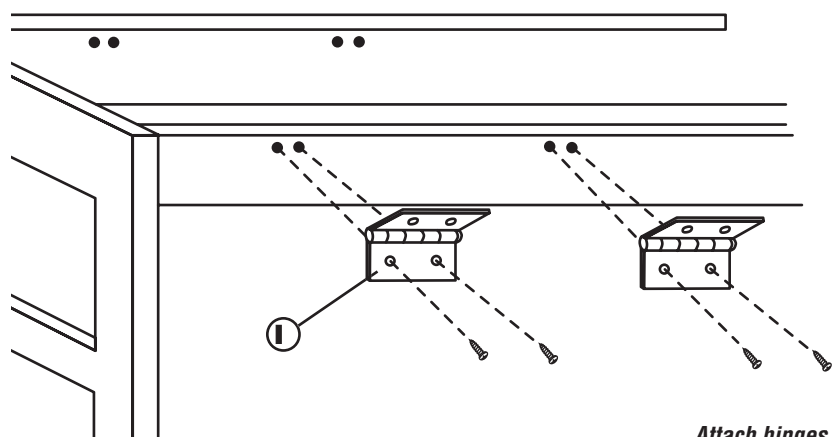
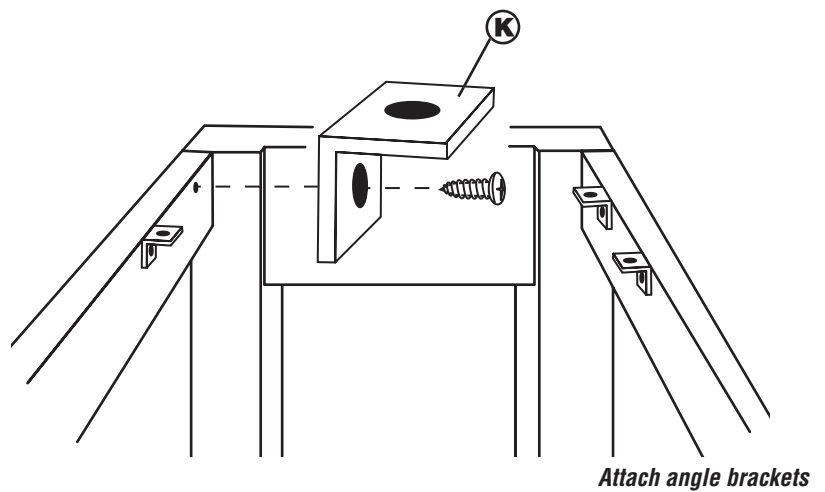


Hole Plugs



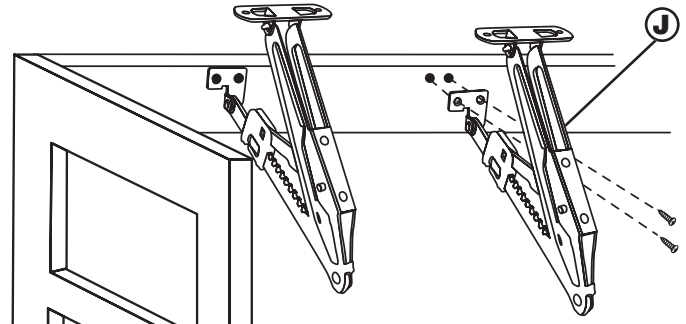
## To Assemble Base Frame

- 1** Unpack and inspect contents to confirm you have all the parts listed. Use care to differentiate the four crossbars from each other, as shown in the parts list. Also use care to differentiate left side frame from right, as shown in the parts list.
- 2** Attach rear crossbars (**B** and **C**), footrest crossbar (**E**), and front crossbar (**D**) to one side frame (**A**) using 2" Allen bolts (**G**). Pay close attention to correct orientation of all pre-drilled holes. Tighten securely.
- 3** Attach other side frame to opposite ends of four crossbars in step two using 2" Allen bolts. Tighten securely.
- 4** Attach angle brackets (**K**) to inside surfaces of front and rear crossbars, using 3/4" Phillips screws (**L**) into pre-drilled holes, as shown in diagram. Keep slightly loose for time being.
- 5** Attach hinges (**I**) to outside surface of front crossbar using 3/4" Phillips screws as shown in diagram. Keep these screws slightly loose for time being.



**6** Attach both tilt mechanisms (**J**) to upper rear crossbar using 3/4" Phillips screws (**L**) into pre-drilled holes, as shown in diagram. Keep these screws slightly loose for time being. Hint: Use elastic bands to keep tilt mechanisms in the folded-close position for time being.

**7** Base frame assembly is now complete. Set aside.

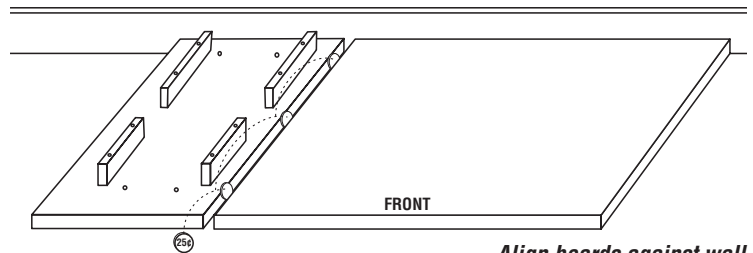


*Attach Tilt Mechanisms to upper rear crossbar*

## To Attach Tabletop to Base Frame

**8** Inspect large board piece carefully and choose which side you want facing up for use. This side should be placed face-down on a carpeted or otherwise protected floor to avoid scratches.

**9** Set the smaller board piece on floor next to large one. Pay close attention to correct orientation of wood rails that come pre-attached to small board, as shown in diagram. Note that wood rails closest to the edge should be positioned next to big board.



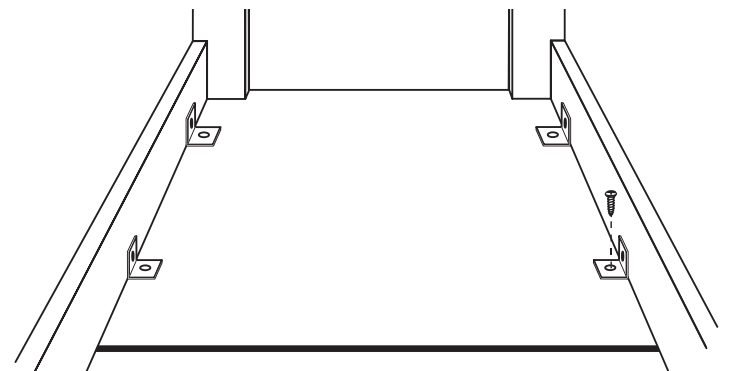
*Align boards against wall*

**10** Insert thin shims on a temporary basis between large and small boards to create about 1/16" space between them. A few quarters will work well.

**11** Square and align the two boards with one another. Hint: Place the boards up against a wall to assist with alignment.

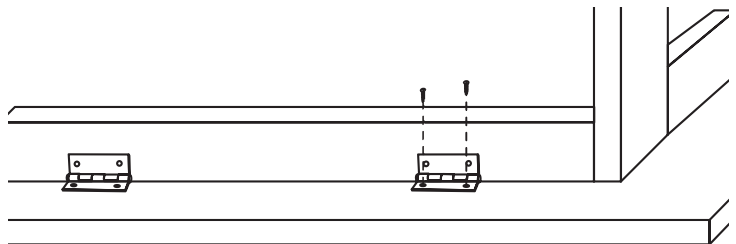
**12** Carefully turn the base frame assembly upside down and place on top of boards. This will require two people. Be sure front of base frame is aligned with front of boards.

**13** Position base frame so that the four angle brackets align with pre-drilled holes in small board. Attach using 3/4" Phillips screws. Keep all screws slightly loose for the time being.



*Attach angle brackets to board*

**14** It is critical that the base frame is square, true, and flush to the small board before tightening the angle bracket screws. Pay close attention to the following steps to ensure that your table functions properly.



*Attach front hinges to big board*

**15** The first screws to tighten are the four that attach the angle brackets to the oak crossbars. Before tightening, you must ensure that the wood frame is sitting flush on the surface of the small board. Adjust the angle brackets as necessary to ensure no space is left between these surfaces, then tighten these four screws securely.

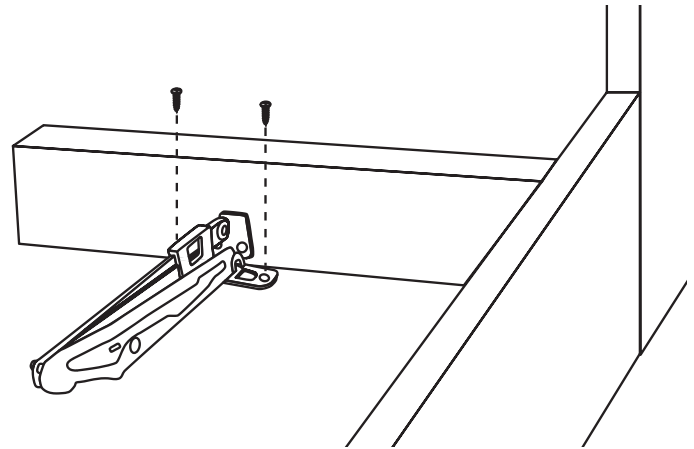
**16** Before tightening the four angle bracket screws that go into the small board, you must align the base frame to be square and true to the two boards. Double check that the big board is still straight and square with the small board and that the spacing shims are in place between them. Use a measuring tool to ensure that the outside edge of the small board is parallel to the oak side frame and that front edge of the big board is parallel to the front crossbar. Once everything is OK, tighten these four angle bracket screws securely. Use care not to over tighten and strip.

**17** Before attaching front hinges to big board, you must ensure that the front wood frame is sitting flush on the board surface. Adjust the front hinges as necessary to ensure no space is left between these surfaces, and then securely tighten the four screws that attach the hinges to the front oak crossbar.

**18** Mark the locations in large board for four holes in front hinges. Check again that the big board is still straight and square with the small board and also that the spacing shims are in place between them. Use an awl or drill with 1/16" bit to make starter holes. Use care not to drill all the way through the tabletop. Attach using 3/4" Phillips screws. Tighten securely but use care not to over tighten and strip.

**19** Before attaching tilt mechanisms to big board, you must ensure that the rear wood frame is sitting flush on the board surface. Adjust the tilt mechanisms as necessary to ensure no space is left between these surfaces, and then securely tighten the four screws that attach the tilt mechanisms to the rear oak crossbar.

**20** Mark the locations in large board for four holes in tilt mechanisms. Be sure bracket on end of tilt mechanism is flush to board. Use an awl or drill with 1/16" bit to make starter holes. Use care not to drill all the way through the tabletop. Attach using 3/4" Phillips screws. Tighten securely but use care not to over tighten and strip.



*Attach Tilt Mechanisms to big board*

**21** Attach drawer face to drawer front using 1" Phillips screws. Note: Drawer face has two sets of predrilled holes. Use the upper set and be sure that lock is on the right side. Use care to ensure face is attached straight, square, and centered to the drawer unit. Tighten screws securely.

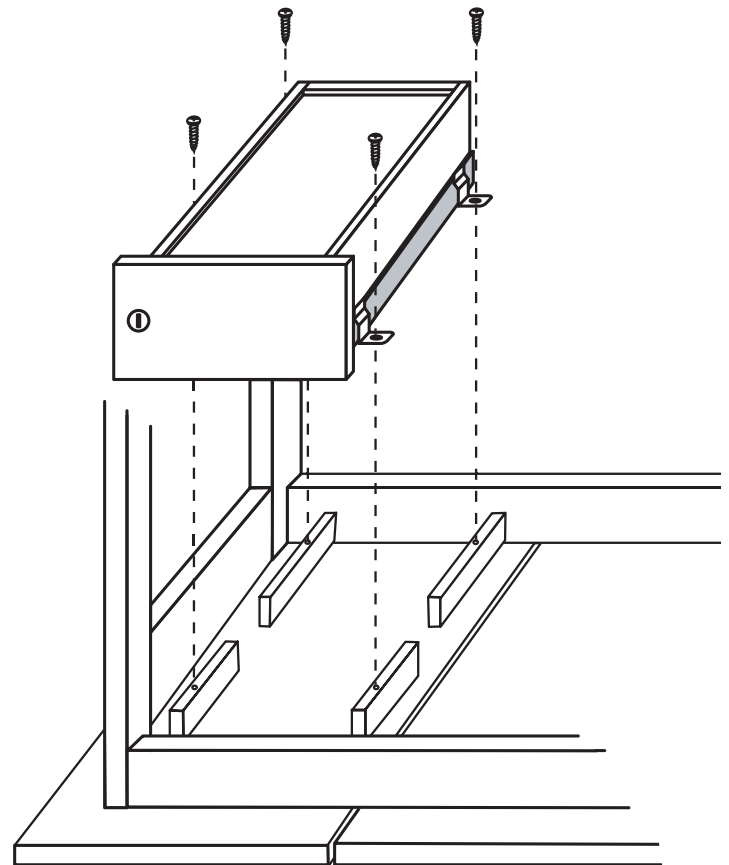
**22** Gripping drawer rails and drawer together, turn drawer upside down and align rail brackets with holes in wood rails attached to small board, as shown in diagram. Attach using 3/4" Phillips screws. Tighten securely.

**23** Carefully return assembled table to its upright position. This will require two people. Use care to keep drawer unit from sliding open.

**24** Adjust tilt of tabletop to desired angle. The ratcheted tilt mechanisms allow you to set the tabletop at a variety of comfortable working angles. Simply lift the table top from the back edge until it clicks into the desired position. To return the top to the flat position, raise the back edge as high as it will go. This will release the ratchet mechanism.

**25** And finally, just when you think you're done, go back and retighten all the screws and bolts on the entire table to ensure that it remains strong, sturdy, and stable for many years of use. You may want to fine-tune the position of the drawer face at this time if it is not quite straight and in line with the base frame. Slightly loosen the drawer face screws from the inside and reposition as necessary.

**26** Insert mushroom caps into unused side frame holes. These caps are pressure fit but you may want to apply a small drop of glue inside the hole to ensure they do not fall out over time.



*Attach drawer*

Please save these instructions for future reference.

Thank you for purchasing an Alvin Drafting Table.