

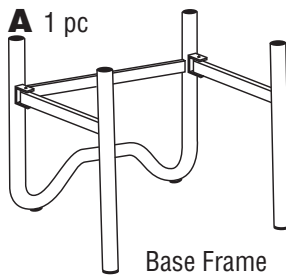
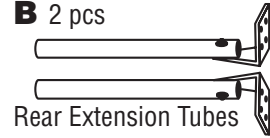
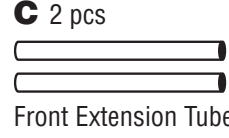
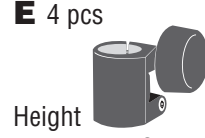
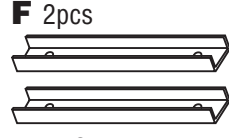

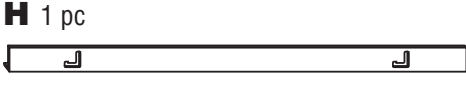
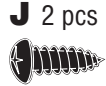



# Onyx™ Drafting Table Base Assembly Instructions

For models  
ONXB-3 and ONXB-4

**Tools required:** Phillips screwdriver and awl or 1/16" drill (not included).

## Parts Included:

<b>A</b> 1 pc  Base Frame	<b>B</b> 2 pcs  Rear Extension Tubes	<b>C</b> 2 pcs  Front Extension Tubes	<b>E</b> 4 pcs  Height Adjustment Collars	<b>F</b> 2 pcs  Front Guide Tracks
<b>G</b> 12 pcs  1/2" Phillip Screws	<b>H</b> 1 pc  Pencil Ledge	<b>J</b> 2 pcs  Pencil Ledge Screws	<b>K</b> 1 pc  Allen Wrench	

**To Assemble:** Unpack and inspect contents to confirm you have all the parts listed above.

- 1 Open base frame (**A**) in the upright position and place one height adjustment collar (**E**) on top of each leg tube as shown in *figure 1*. Position adjustment knobs facing out and lightly tighten lower Allen bolts using Allen wrench (**K**).

Figure 1

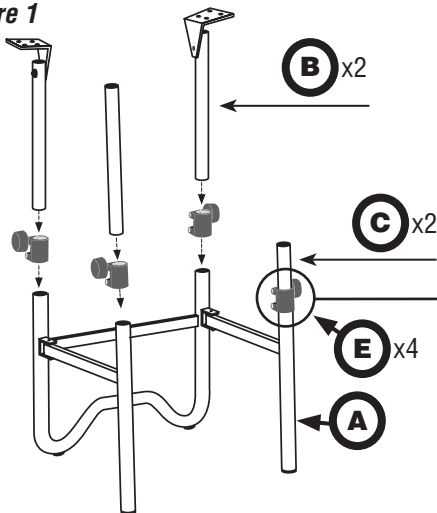
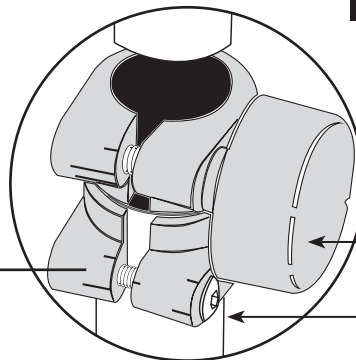


Figure 2



- 2 Insert front (**C**) and rear (**B**) extension tubes into base frame as shown in *figure 1*. For the time being, set each tube at a height of approximately 4" and lock into place by tightening adjustment knob. (see *figure 2*).

Adjustment knob

Lower Allen bolt

- 3 Place your drawing board/tabletop (purchased separately) on a soft pad or carpet to avoid scratches with the best side facing down. Turn the assembled base frame upside down and place on tabletop as shown in *figure 3*. Position the frame according to the dimensions in *figure 4*, on page 2, depending on the size or your tabletop. Center from left to right. Place front guide tracks (**F**) under front leg extensions as shown.

- 4 Use an awl or a 1/16" drill to start screw holes. Be careful not to drill all the way through tabletop.

- 5 Attach rear extension brackets and front guide tracks to tabletop using 1/2" Phillips screws (**G**).

**Hint** Since some screws are hard to reach, try spinning adjustment collar so that adjustment knob is out of your way. Retighten all collar Allen bolts when finished.

- 6 Once all screws are secure, return table to its upright position and adjust tube extensions until tabletop is at desired height and angle.

Figure 3

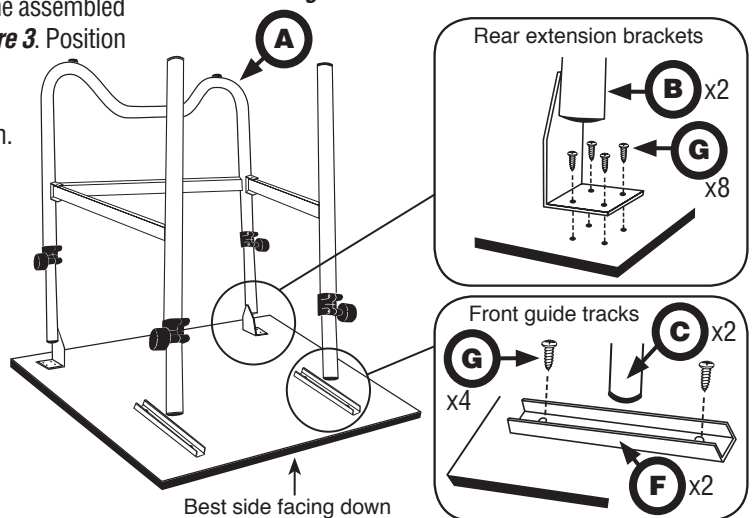
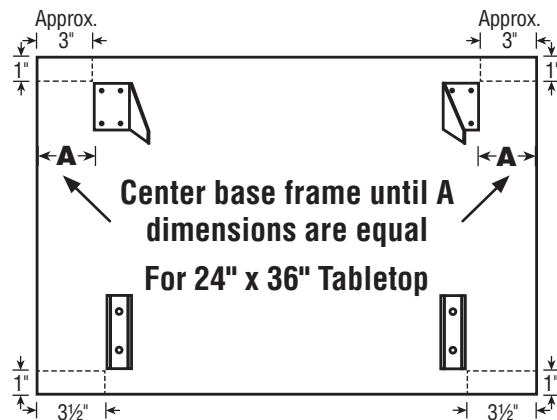
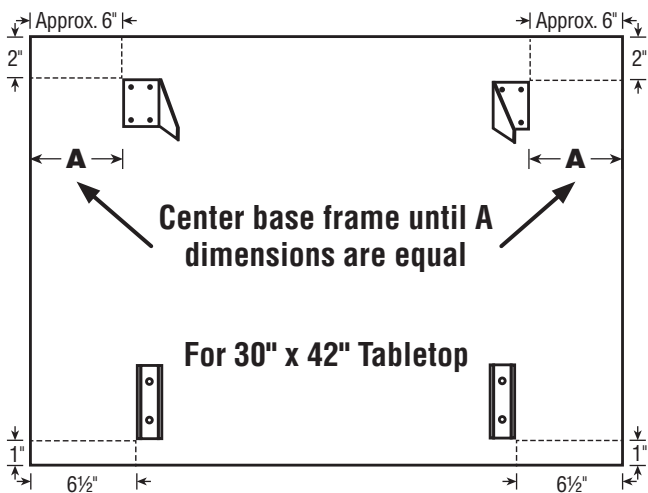
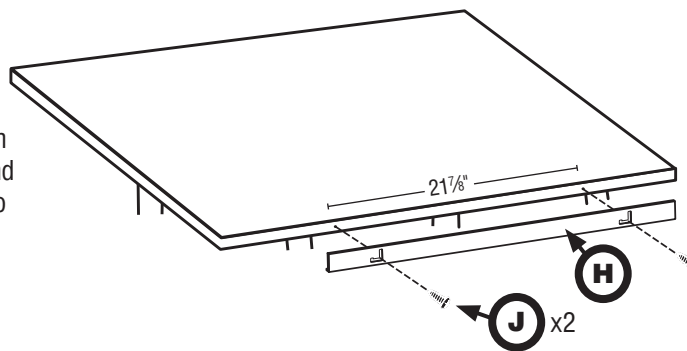


Figure 4

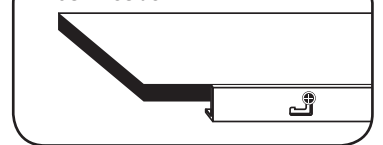


### To Attach Pencil Ledge

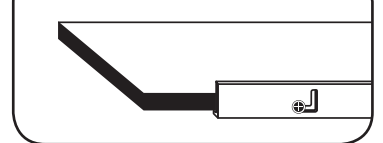
The pencil ledge (**H**) prevents materials from sliding off a tilted surface. Slotted connection allows for easy adjustment from flush to elevated position. Use an awl or a 1/16" drill to start holes and attach using two screws (**J**) into front edge of tabletop.



Flush Position

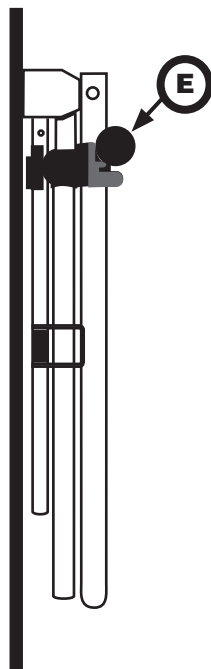


Elevated Position



### To Fold Table Flat

- 1** Loosen lower bolts in front height adjustment collars (**E**) and spin collars until adjustment knobs face inward.
- 2** Lift front edge of tabletop slightly to remove front extension tubes from front guide tracks and swing legs inward. Left leg should be folded first.
- 3** When both front legs are folded into position, slowly allow tabletop to drop downward.



### Hint

Tighten the upper and lower hinge bolts that connect the front legs to the back of the base frame to maximize the strength and stability of the table.

