

LEUCOS®

INSTALLATION INSTRUCTIONS - LEUCOS USA

FIOLA S



A1

Enclosed



One installer



Save instructions

Revised
28 / 03/2007

WARNING:

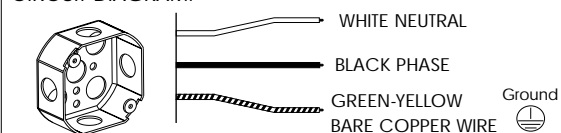
- DISCONNECT POWER BEFORE INSTALLATION.
- FIXTURE TO BE INSTALLED BY A CERTIFIED ELECTRICIAN.
- INSTALL IN ACCORDANCE WITH THE NATIONAL AND LOCAL ELECTRICAL CODES.
- TAKE GREAT CARE TO AVOID SCRATCHING OR CHIPPING THE GLASS WHEN CARRYING OUT THE OPERATIONS BELOW

1. ILL. 1 Attach the metal canopy "A" to the J-box.
 2. ILL. 1-2 Guide the electrical wires through the rubber rings "Z" and through ring "W" then in one of the 2 lateral holes "F" of the metal cone and the steel wire through the central hole of the canopy "B". **PLEASE NOTE: IN ORDER TO PASS THE ELECTRICAL WIRES THROUGH THE CANOPY, IT IS NECESSARY TO PUNCH A HOLE WITH A SCREWDRIVER INSIDE THE CANOPY "B"**.
 3. ILL. 3 Slightly loosen the fitting "S". Pass the steel cable through the central hole of the fitting "S". This fitting is pressured fit. In order to secure the steel cable push the fitting toward the top. Having determined the correct height of the fixture, secure the steel cable by screwing the fitting "S". In order to properly secure the steel cable, we suggest passing the steel cable through the fitting "J". Clamp the cable in position with the fitting "J" screw.
 4. ILL.3 Connect the fixture's electrical wires to supply wire connectors of the proper size leaving excess wire for decorative "swag" below canopy "B" if desired.
- NOTE: DURING WIRING TAKE CARE TO GUIDE THE LAMP WIRE THROUGH THE PLASTIC CLAMP "X" AND LOCK IT BY THE SIDE PLASTIC SCREW.**
5. ILL.2 Slide the canopy "B" up to rest against the ceiling and secure it in position with set screw "H". **PLEASE NOTE: USE THE ALLEN WRENCH PROVIDED INSIDE THE CANOPY "B"**.
 6. Center fitting "Z" on the steel cable and fit the two electric wires into the appropriate slots.
 7. Guide the structure through the top opening of the diffuser, keeping the three small wings "Y" closed upwise as shown;
 8. When inside, let the three wings re-fall down, as shown, then let the diffuser leaning over them as shown in ILL.4;
 9. For relamping: Take care to turn the diffuser upside down, then push up the structure till the three wings "Y" shut down again on the tube of structure "K", then pull out the structure.

FIOLA S - max 1x100W-120V type A-19



CIRCUIT DIAGRAM:



MOUNTS TO STANDARD JUNCTION BOX

For additional information please contact your local dealer or
LEUCOS USA at: tel. (732) 225-0010 fax (732) 225-0250

FIG.1

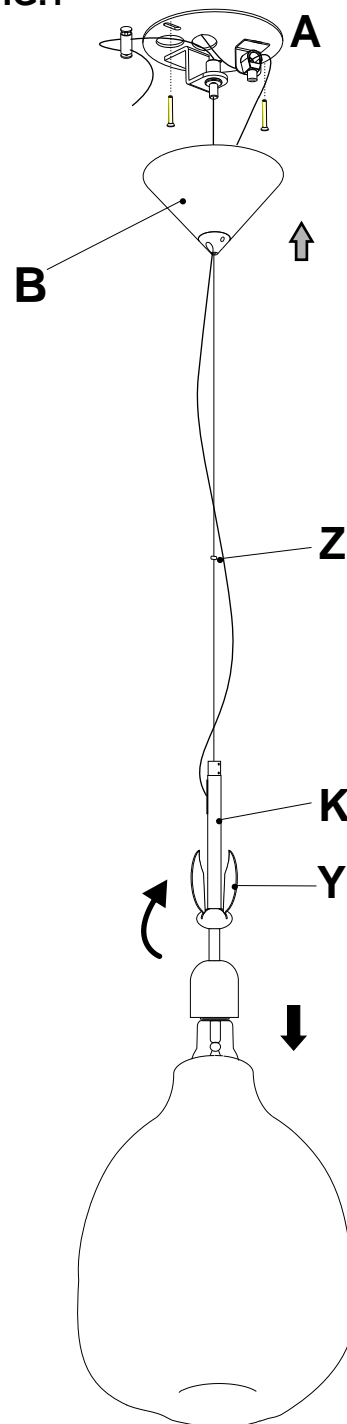


FIG.2

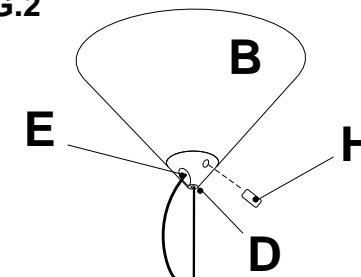


FIG.3

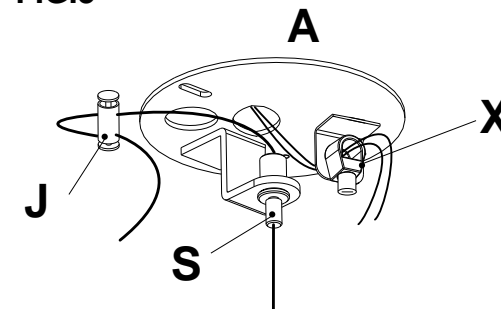


FIG.4

