

LEUCOS®

SELIS PP 30
SELIS PP 35
SELIS PP 45



KUMA P 35
KUMA P 45



“FOR LEUCOS USA” - INSTALLATION INSTRUCTIONS

SELIS PP 30 - SELIS PP 35 - SELIS PP 45 KUMA P 35 - KUMA P 45

A1 Enclosed



One installer



Save instructions

Revised
25 November 2005

WARNING: - DISCONNECT POWER BEFORE INSTALLATION.

- **FIXTURE TO BE INSTALLED BY A CERTIFIED ELECTRICIAN.**
- **INSTALL IN ACCORDANCE WITH THE NATIONAL AND LOCAL ELECTRICAL CODES.**
- **TAKE GREAT CARE AVOID SCRATCHING OR CHIPPING THE GLASS WHEN CARRYING OUT THE OPERATIONS BELOW.**

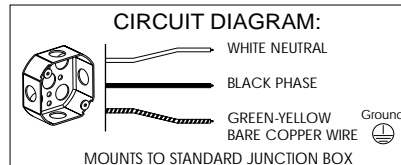
- .1. Make sure power is Off.
- .2. **Fig.1.** Remove (2) cover mounting screws and remove cover “C”.
- .3. **Fig.1.** Mount fixture housing “A” (casting) to 4” octagonal Junction Box with (2) 8-32 flat hd. screws (by others) making sure cast housing is leveled (if wall installation) or aligned as desired if ceiling installation, or specifically orientated per architectural specifications.
- .4. Make wire connections inside Junction box.
- .5. Reinstall cover “C” first moving all wire connections and excess wire into Junction box.
- .6. Install lamp(s). **For halogen lamp** : Insert bulb inside double ended socket, then place the two half safety glass pyrex tubes “Y” in order to be coupled inside the opposite collars of rings “X” as shown. Clamp the two parts by pushing the two release springs “Z” as shown in **Fig.2.**
- .7. **Fig.1.** Install glass mounting arm “R” onto casting.
- .8. **Fig.1.** Install glass mounting arm “P” onto casting.
- .9. **Fig.1/3** Loosen adjustable arm “P” by thumb screw “Q” enough to install glass.
- .10. **Fig.3.** Install glass and finger tighten thumb screw “Q” to adjust arm “P” and secure glass.
- .11. **Fig.4.** Tighten the plastic screws “S” holding the shade in place without overtightening them.
- .12. Restore power.

WARNING : The diffuser shade “D” must be removed to change the halogen/fluorescent/incandescent type bulb.

NOTE: If the lamp containant barrier “Y” breaks, it must be replaced before using the lamp again (Halogen)

**SELIS PP30-35-45: INCANDESCENT AND FLUORESCENT CAN BE CEILING MOUNTED.
HALOGEN IS WALL MOUNT ONLY.**

- INCANDESCENT:** max 1x100W 120V E26 Type A
- HALOGEN :** max 1x200W 120V RSC TypeT3
- FLUORESCEN:** max 2x13W 120V GX23 Type Quad Tube



For additional information please contact your local dealer or **LEUCOS U.S.A.** at: tel. (732) 225-0010; fax (732) 225-0250

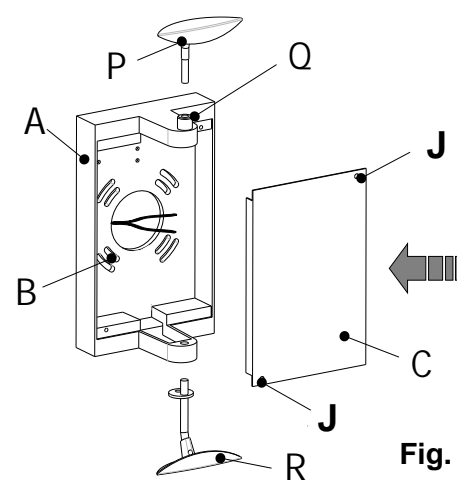


Fig. 1

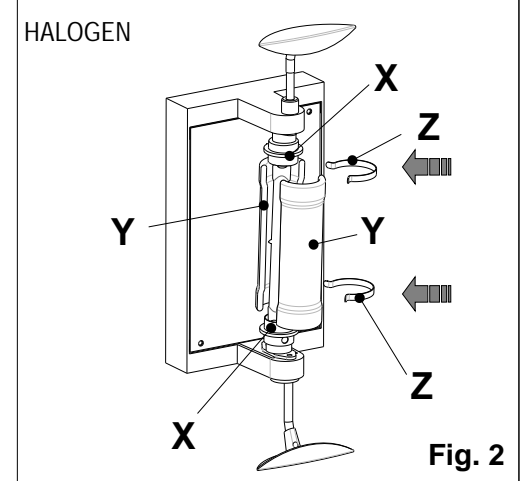


Fig. 2

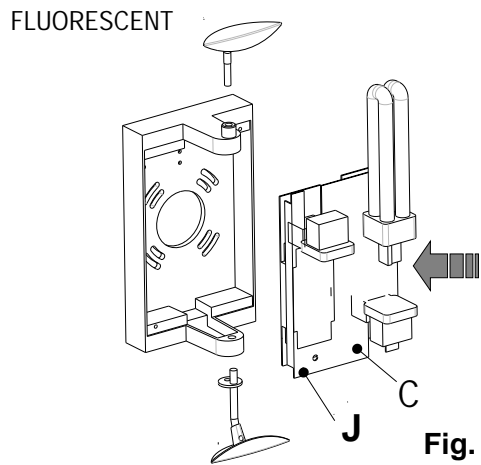


Fig. 1

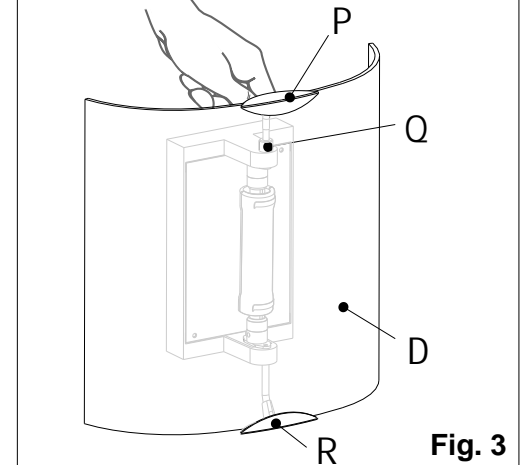


Fig. 3

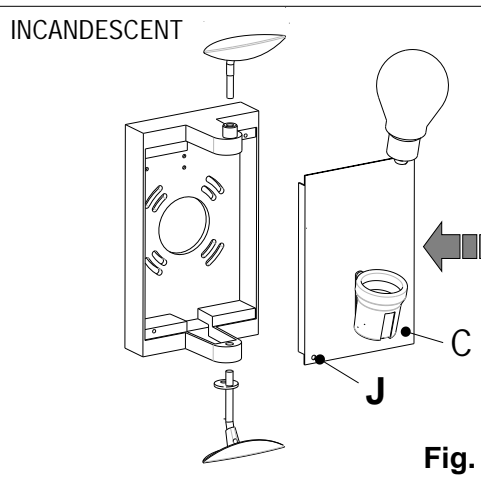


Fig. 1

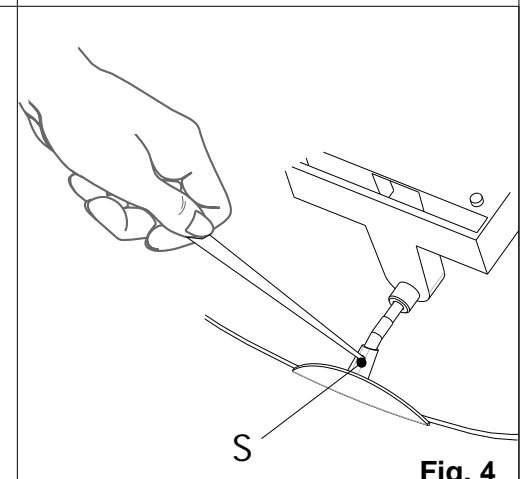


Fig. 4