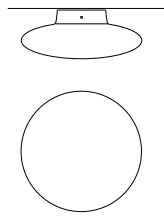


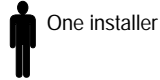
LEUCOS®

"LEUCO USA" - INSTALLATION INSTRUCTIONS

MILD PP
INCANDESCENT



A1 Enclosed



Save instructions

Revised
04 September 2003

WARNING :

- DISCONNECT POWER BEFORE INSTALLATION.
 - INSTALL IN ACCORDANCE WITH THE NATIONAL AND LOCAL ELECTRICAL CODES.
 - FOLLOW DIRECTIONS CAREFULLY TO AVOID SCRATCHING THE GLASS DIFFUSER.
1. Before attaching the mounting plate to the ceiling, loosen the 3 screws "C" located around the border of the structure. Separate the cover "A" from the plate "B". Fig. 1 and 2.
 2. Connect the fixture's electrical wires to the supply wires.
 3. Secure the metal plate "B" to the junction box.
 4. Attach cover "A" to plate "B" by utilizing the 3 set screws "C".
 5. Install light bulb.
 6. Position the glass diffuser to the structure utilizing the 3 set screws "D" aligning them to the 3 holes "F". Fig. 3. Use "X" pipe provided. In order not to overtighten the set screws it is VERY IMPORTANT to use the plastic bushing "E" provided. IN ORDER NOT TO BREAK THE GLASS, DO NOT OVER TIGHTEN THE SCREWS.
 7. Restore power.

Recommended bulbs, max 1x100 watts A-19.

Fig.1

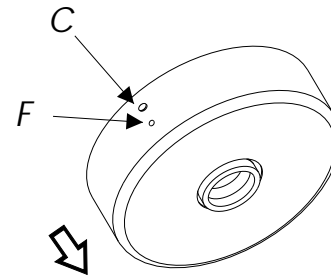


Fig.2

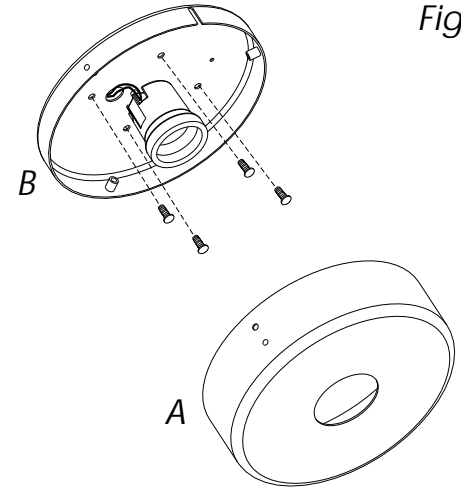
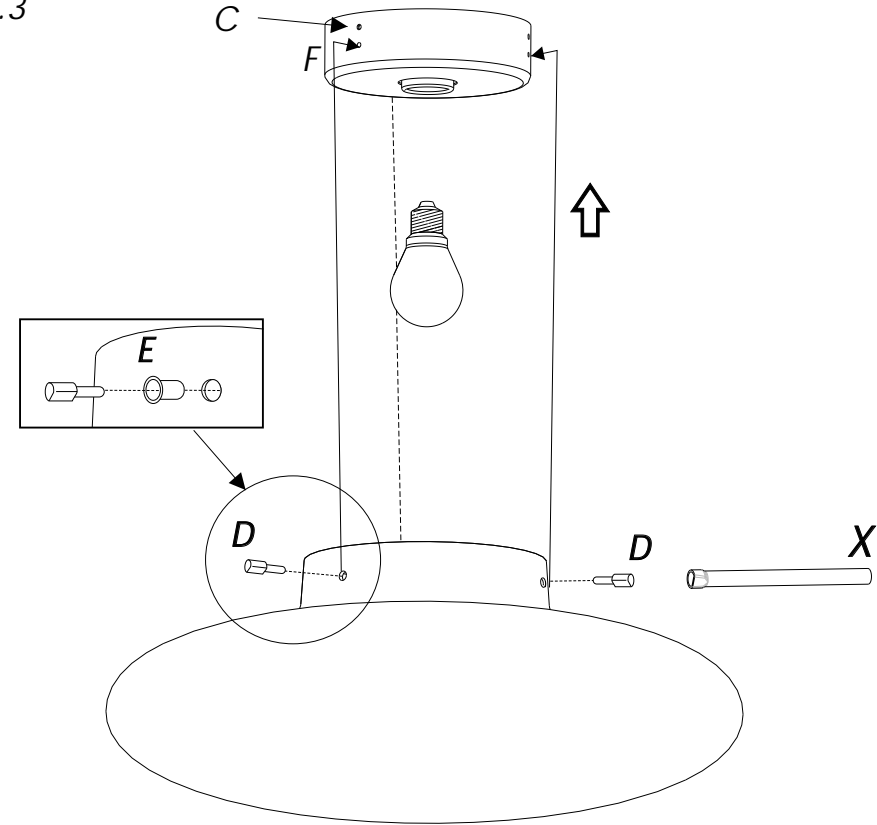


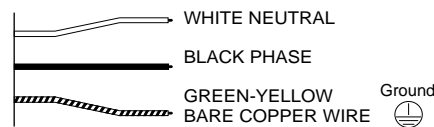
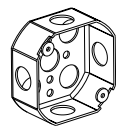
Fig.3



FOR USA MARKET ONLY

CIRCUIT DIAGRAM:

For additional information please contact your local dealer or **LEUCOS USA** at: tel. (732) 225-0010 fax (732) 225-0250

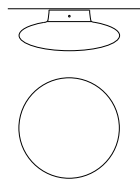


MOUNTS TO STANDARD IUNCTION BOX

LEUCOS®

"LEUCO USA" - INSTALLATION INSTRUCTIONS

MILD PP FLUORESCENT



A1 Enclosed



Two installers



Save instructions

Revised
February - 02th - 2004

WARNING :

- DISCONNECT POWER BEFORE INSTALLATION.
- INSTALL IN ACCORDANCE WITH THE NATIONAL AND LOCAL ELECTRICAL CODES.
- FOLLOW DIRECTIONS CAREFULLY TO AVOID SCRATCHING THE GLASS DIFFUSER.

.1. Before attaching the mounting plate to the ceiling, loosen the 3 screws "C" located around the border of the structure. Separate the cover "A" from the plate "B". Fig. 1.

.2. Connect the fixture's electrical wires to the supply wires.

.3. Secure the metal plate "B" to the junction box.

.4. Attach cover "A" to plate "B" by utilizing the 3 set screws "C".

.5. Install lamps

.6. Position the glass diffuser to the structure utilizing the 3 set screws "D" by aligning them to the 3 holes "F". Use "X" pipe provided. See Fig. 2.

IMPORTANT - In order not to overtighten the set screws it is very important to use the plastic bushing "E" provided. Also in order not to damage the glass diffuser it is important not to overtighten the set screws "D".

.7. Restore power.


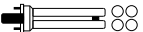
Recommended bulbs: **max 2x18W G24 q2 Type quad tube** 
max 2x13W Gx23 Type quad tube 

Fig.1

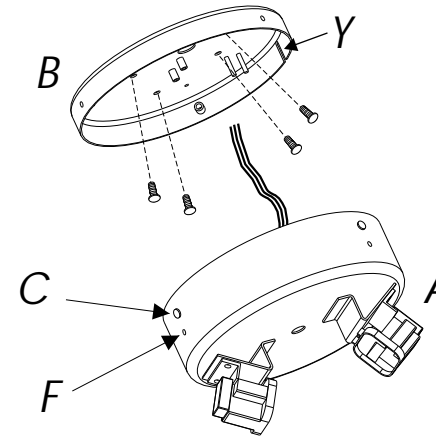
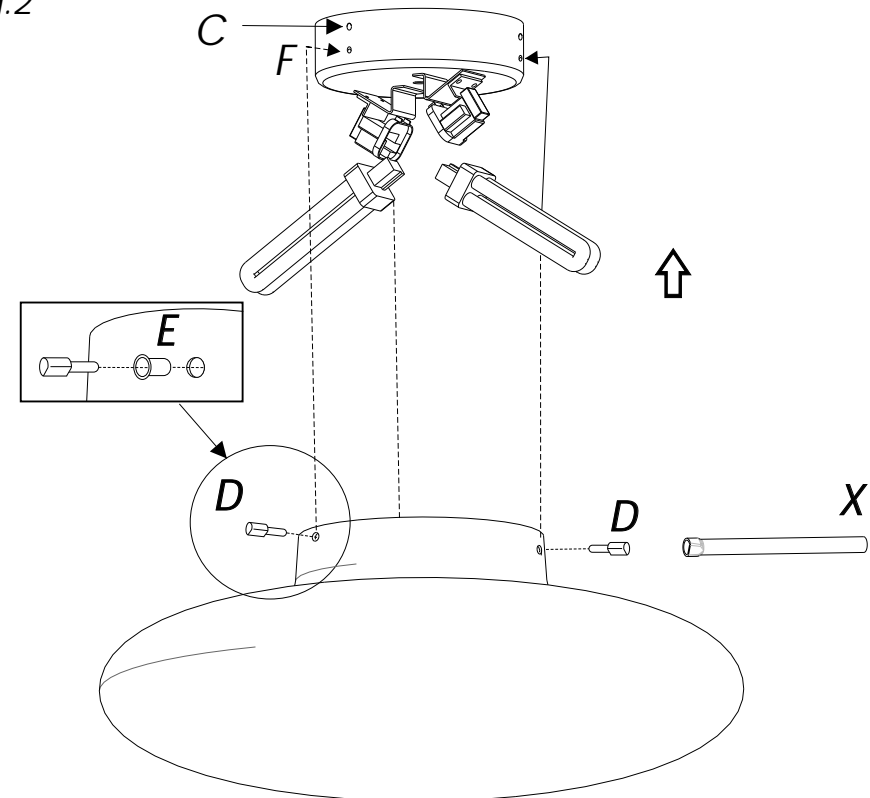
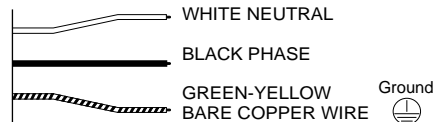


Fig.2



FOR USA MARKET ONLY

CIRCUIT DIAGRAM:



MOUNTS TO STANDARD JUNCTION BOX

For additional information please contact your local dealer or **LEUCOS USA** at: tel. (732) 225-0010 fax (732) 225-0250