

TECHNICAL DATASHEET

Hudson Reed

Hero Twin Concealed Thermostatic Shower Valve C/W Diverter

Barcode	5055369010370
Product Code	HER3407
Finishes	Chrome
Product Type	HP1 - 1 bar pressure minimum for Bath Fill MP - 0.5 bar pressure minimum for showering
Water Pressure	LP1 - 0.1 bar pressure minimum
Standards	BC254/0207, EN200 and/or WRc/NSF
Requirement	Suitable for all plumbing systems
Guarantee & Aftercare	

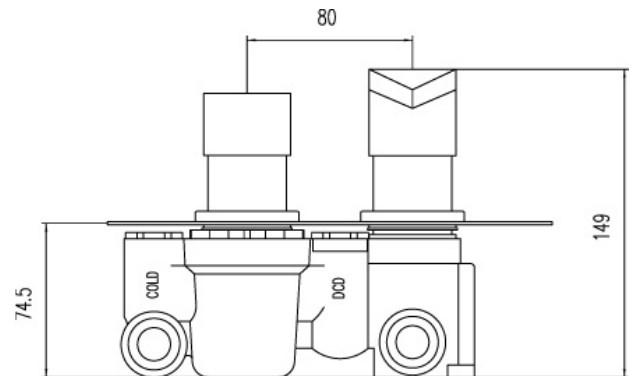


During installation extra care must be taken to avoid damaging the fittings. We provide a 20 year guarantee against faulty workmanship or materials (excluding serviceable parts), providing they have been installed, cared for and used in accordance with our instructions.

ADDITIONAL INFORMATION

- Can be fitted vertically or horizontally

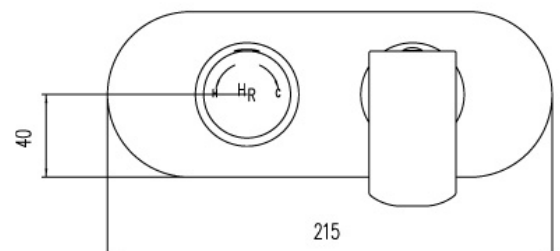
Bar	Flow l/min
0.1	N/A
0.5	13
1	17
2	24
3	27



COMPLIANCE: Pending

CUSTOMER CARE:

For further information please call 01282 446789



KEY TO PRODUCT PRESSURE REQUIREMENTS

LP - 0.1 bar min LP2 - 0.2 bar min MP - 0.5 bar min HP1 - 1 bar min HP2 - 2 bar min