

Kia High Rise Mixer

Barcode	5055146132813
Product Code	PT370
Finishes	Chrome
Product Type	Mono High Rise Mixer
Water Pressure	LP1 - 0.1 bar pressure minimum
Standards	BS5412, EN200 and/or WRc/NSF
Requirement	Suitable for all plumbing systems

Guarantee & Aftercare

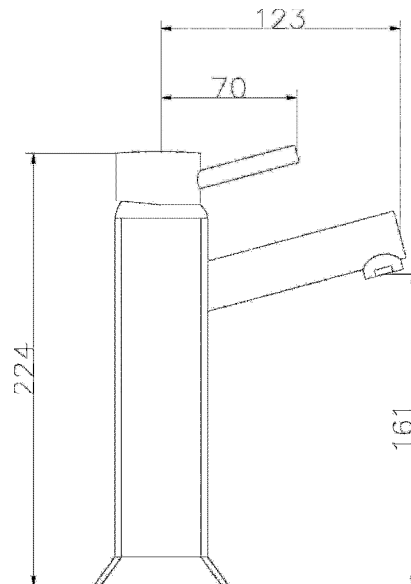
During installation extra care must be taken to avoid damaging the fittings. We provide a 20 year guarantee against faulty workmanship or materials (excluding serviceable parts), providing they have been installed, cared for and used in accordance with our instructions.



ADDITIONAL INFORMATION

- Ceramic Disc Technology
- Supplied without waste

Bar	Flow l/min
0.1	3
0.5	6
1	12
2	16
3	20



COMPLIANCE: Pending

CUSTOMER CARE:

For further information please call 01282 446789

KEY TO PRODUCT PRESSURE REQUIREMENTS

LP - 0.1 bar min LP2 - 0.2 bar min MP - 0.5 bar min HP1 - 1 bar min HP2 - 2 bar min