

## Carma Mono Basin Mixer without Waste

<b>Barcode</b>	5055369017232
<b>Product Code</b>	CMA305
<b>Finishes</b>	Chrome
<b>Product Type</b>	Mono Basin Mixer
<b>Water Pressure</b>	LP1 - 0.1 bar pressure minimum
<b>Standards</b>	BS5412, EN200 and/or WRc/NSF
<b>Requirement</b>	Suitable for all plumbing systems



### Guarantee & Aftercare

During installation extra care must be taken to avoid damaging the fittings. We provide a 20 year guarantee against faulty workmanship or materials (excluding serviceable parts), providing they have been installed, cared for and used in accordance with our instructions.

### ADDITIONAL INFORMATION

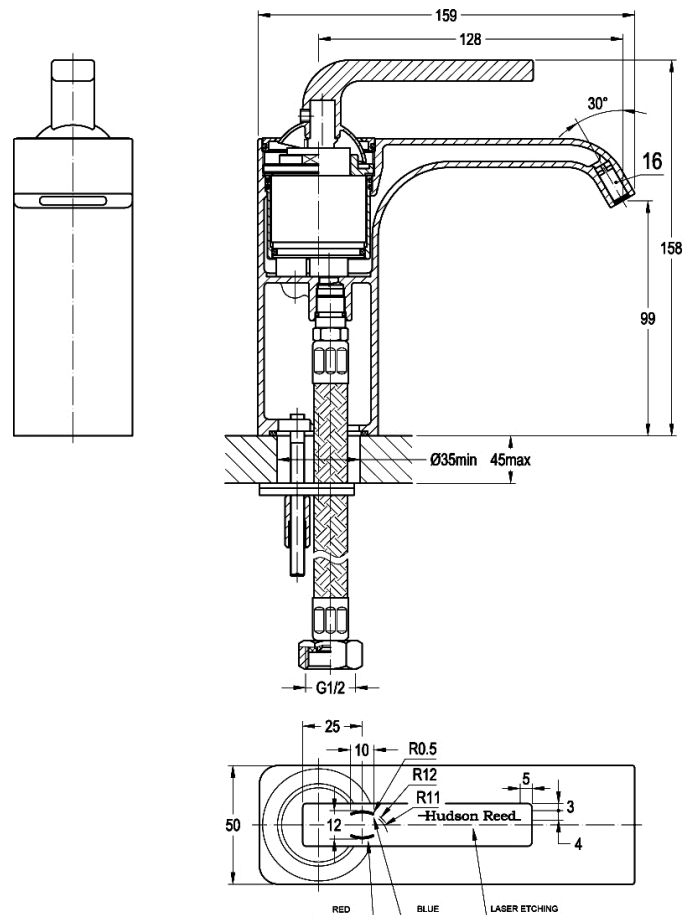
- Supplied without Waste

Bar	Flow l/min
0.1	6
0.5	10
1	14
2	19.5
3	24

**COMPLIANCE:** Pending

### CUSTOMER CARE:

For further information please call 01282 446789



### KEY TO PRODUCT PRESSURE REQUIREMENTS

LP - 0.1 bar min      LP2 - 0.2 bar min      MP - 0.5 bar min      HP1 - 1 bar min      HP2 - 2 bar min