

# TECHNICAL DATASHEET

# Hudson Reed

## LINEAR SLIDER RAIL KIT with MULTI-FUNCTION HANDSET

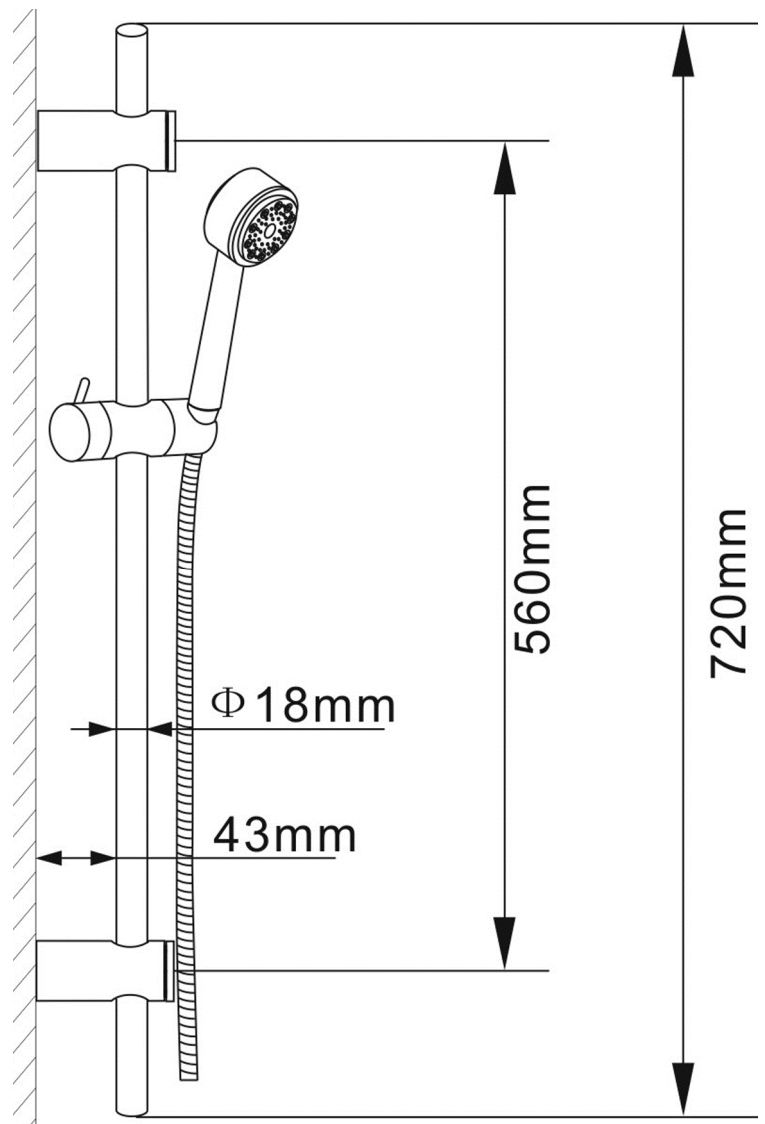
Barcode	5055146181156
Product Code	A3043
Finishes	Chrome
Product Type	Shower Kit
Requirement	Suitable for all plumbing systems

### Guarantee & Aftercare

During installation extra care must be taken to avoid damaging the fittings. We provide a 20 year guarantee against faulty workmanship or materials (excluding serviceable parts), providing they have been installed, cared for and used in accordance with our instructions.

### ADDITIONAL INFORMATION

- 1.5m shower flex chrome plated brass
- Slider rail chrome plated brass & ABS
- Handset chrome plated ABS
- Outlet elbow chrome plated brass



### CUSTOMER CARE:

For further information please call 01282 446789