

GRAND RIGID RISER KIT with DIVERTER

Barcode	5055146101062
Product Code	A3602
Finishes	CHROME
Product Type	Shower Kit
Water Pressure	MP - 0.5 bar pressure minimum
Requirement	Suitable for all plumbing systems

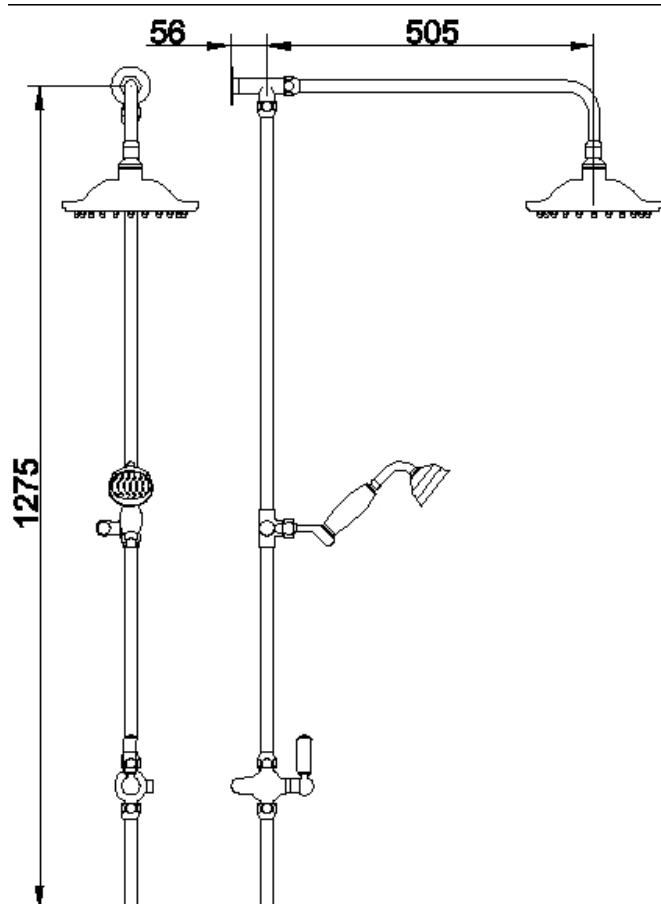
Guarantee & Aftercare

During installation extra care must be taken to avoid damaging the fittings. We provide a 20 year guarantee against faulty workmanship or materials (excluding serviceable parts), providing they have been installed, cared for and used in accordance with our instructions.



ADDITIONAL INFORMATION

- 1.5m shower flex chrome plated brass
- Rigid riser chrome plated brass
- Handset chrome plated brass
- Head chrome plated brass



CUSTOMER CARE:

For further information please call 01282 446789

KEY TO PRODUCT PRESSURE REQUIREMENTS

LP - 0.1 bar min LP2 - 0.2 bar min MP - 0.5 bar min HP1 - 1 bar min HP2 - 2 bar min