

Tec Twin Concealed Thermostatic Shower Valve with Diverter

Barcode	5055146135692
Product Code	A3006
Finishes	Chrome
Product Type	Thermostatic Shower Valve
Water Pressure	MP - 0.5 bar pressure minimum for showering
Standards	BC254/0207, EN200 and/or WRc/NSF
Requirement	Suitable for all plumbing systems



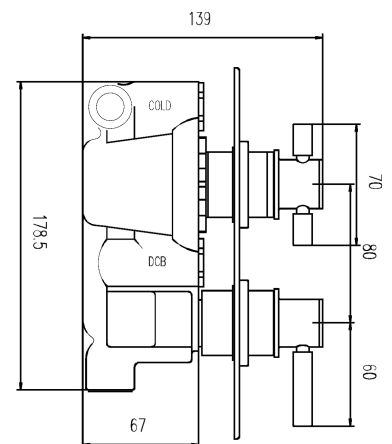
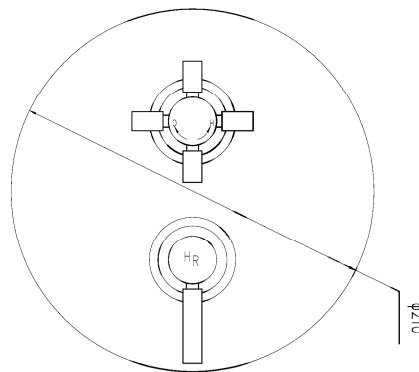
Guarantee & Aftercare

During installation extra care must be taken to avoid damaging the fittings. We provide a 20 year guarantee against faulty workmanship or materials (excluding serviceable parts), providing they have been installed, cared for and used in accordance with our instructions.

ADDITIONAL INFORMATION

- Can be fitted vertically or horizontally

Bar	Flow l/min
0.1	N/A
0.5	13
1	17
2	24
3	27



COMPLIANCE: Pending

CUSTOMER CARE:

KEY TO PRODUCT PRESSURE REQUIREMENTS

LP - 0.1 bar min LP2 - 0.2 bar min MP - 0.5 bar min HP1 - 1 bar min HP2 - 2 bar min