

TECHNICAL DATASHEET

INSIGHT MOTION SENSOR MIRROR with DE MIST PAD

Barcode 5055369014668

Product Code LQ019

Product Type MIRROR

Finishes

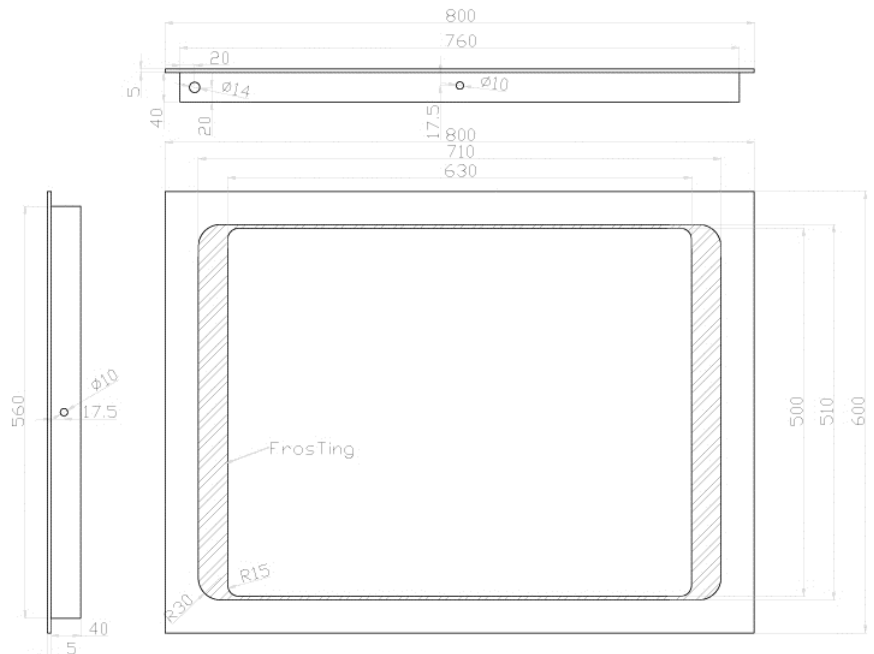
Guarantee & Aftercare

During installation extra care must be taken to avoid damaging the fittings. We provide a 12 month guarantee against faulty workmanship or materials (excluding serviceable parts), providing they have been installed, cared for and used in accordance with our instructions.

ADDITIONAL INFORMATION

- Film backed glass mirror for added safety
- Motion sensor technology
- T9 Tube light 40w, 220-240v

Height	600mm
Width	800mm
Depth	45mm



CUSTOMER CARE: For further information please call 01282 446789