

RETAINER BATH WASTE & OVERFLOW with BRASS PLUG & BALL CHAIN

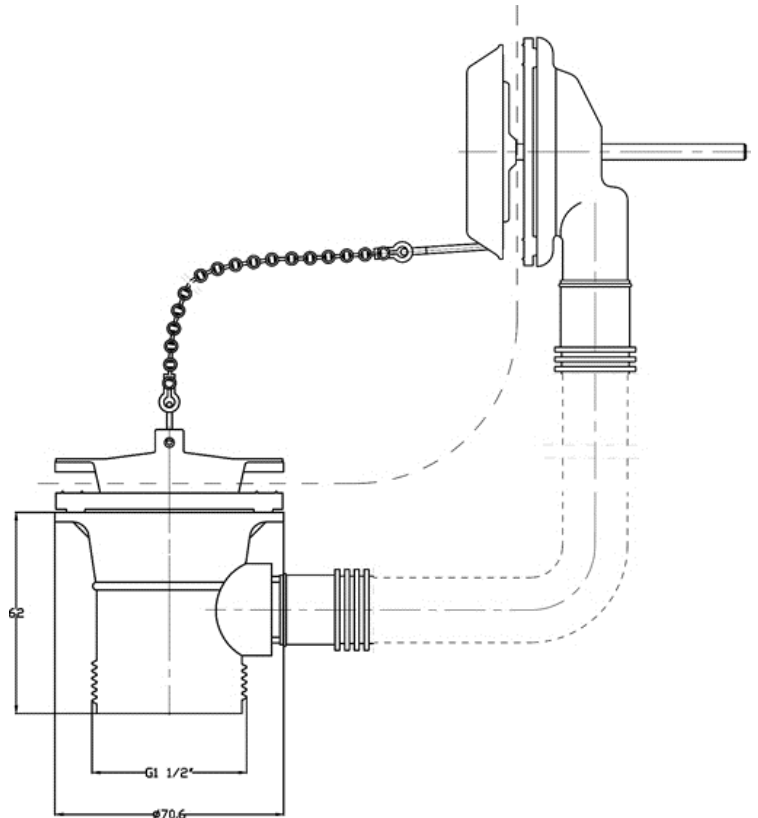
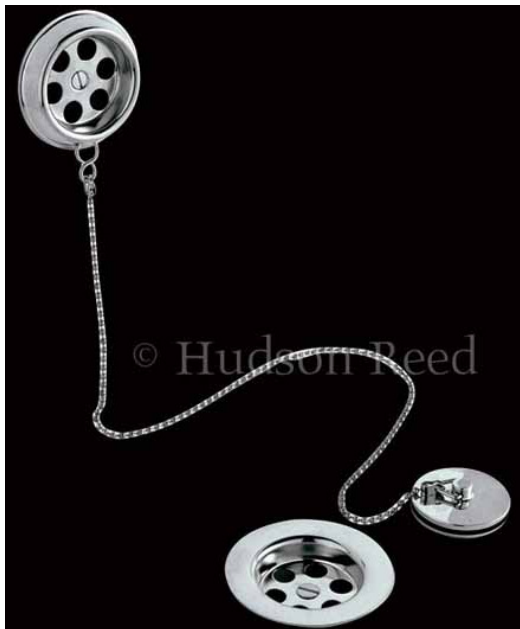
Barcode	5055146100355
Product Code	E347
Finishes	Chrome
Product Type	BATH WASTE
Standards	Manufactured in accordance with BS EN 274-1: 2002
Requirement	Suitable for all plumbing systems

Guarantee & Aftercare

During installation extra care must be taken to avoid damaging the fittings. We provide a 20 year guarantee against faulty workmanship or materials (excluding serviceable parts), providing they have been installed, cared for and used in accordance with our instructions.

ADDITIONAL INFORMATION

- Suitable for baths up to 20 mm thick



CUSTOMER CARE:

For further information please call 01282 446789