

Traditional Dual Concealed Thermostatic Shower Valve

Barcode	5055146181521
Product Code	A3091C
Finishes	Chrome
Product Type	Thermostatic Shower Valve
Water Pressure	LP1 - 0.1 bar pressure minimum
Standards	BC588/1210, EN200 and/or WRc/NSF
Requirement	Suitable for all plumbing systems

Guarantee & Aftercare

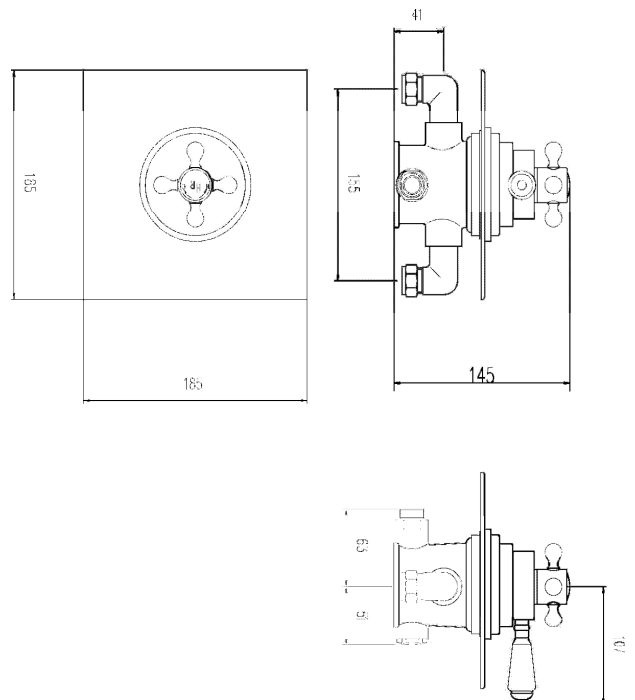
During installation extra care must be taken to avoid damaging the fittings. We provide a 20 year guarantee against faulty workmanship or materials (excluding serviceable parts), providing they have been installed, cared for and used in accordance with our instructions.



ADDITIONAL INFORMATION

- Can be fitted vertically or horizontally
- TMV2 Approved

Bar	Flow l/min
0.1	5.5
0.5	14.5
1	22
2	30
3	35



COMPLIANCE: Pending

CUSTOMER CARE:

For further information please call 01282 446789

KEY TO PRODUCT PRESSURE REQUIREMENTS

LP - 0.1 bar min LP2 - 0.2 bar min MP - 0.5 bar min HP1 - 1 bar min HP2 - 2 bar min