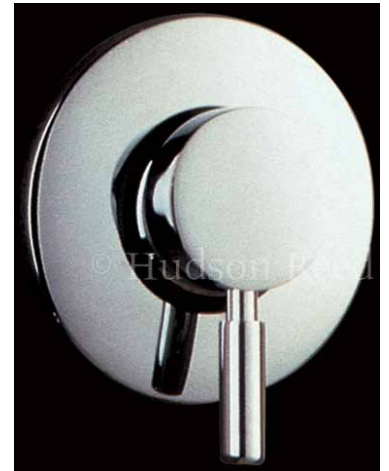


TECHNICAL DATASHEET

Hudson Reed

Tec Manual Concealed & Exposed Shower Valve

Barcode	5055146122111
Product Code	A3200M
Finishes	Chrome
Product Type	Shower Valve
Water Pressure	LP1 - 0.1 bar pressure minimum
Standards	EN200 and/or WRc/NSF
Requirement	Suitable for all plumbing systems



Guarantee & Aftercare

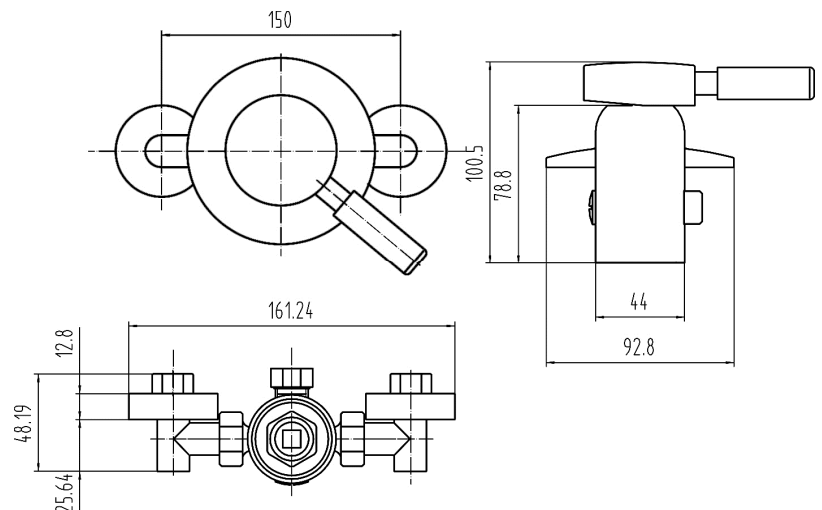
During installation extra care must be taken to avoid damaging the fittings. We provide a 20 year guarantee against faulty workmanship or materials (excluding serviceable parts), providing they have been installed, cared for and used in accordance with our instructions.



ADDITIONAL INFORMATION

- Can be fitted vertically or horizontally

Bar	Flow l/min
0.1	6
0.5	10
1	14
2	18
3	24



COMPLIANCE: Pending

CUSTOMER CARE:

For further information please call 01282 446789

KEY TO PRODUCT PRESSURE REQUIREMENTS

LP - 0.1 bar min LP2 - 0.2 bar min MP - 0.5 bar min HP1 - 1 bar min HP2 - 2 bar min